

installation and servicing

istor

Your Ideal installation and servicing guide

HE260 & HE325

For user guide see reverse of book

When replacing any part on this appliance, use only spare parts that you can be assured conform to the safety and performance specification that we require. Do not use reconditioned or copy parts that have not been clearly authorised by Ideal Boilers.

September 2003

UIN 159 979

i **Ideal** BOILERS
ENGINEERED FOR PEACE OF MIND

GENERAL

Table 1 - General Data

Boiler size		istor HE260	istor HE325
Gas supply		2H - G20 - 20mbar	
Gas Supply Connection		Rc 1/2 (1/2" BSP female)	
Injector size		Stereomatic 5.6mm dia.	
Inlet Connection	Domestic Hot Water	22mm copper	
Outlet Connection	Domestic Hot Water	22mm copper	
Flow Connection	Central Heating	22mm copper	
Return Connection	Central Heating	22mm copper	
Flue Terminal Diameter	mm (in)	100 (4)	
Average flue temp/mass flow rate	(DHW)	74°C / 20.3g/s	
Maximum Working Pressure (Sealed Systems)	bar (lb/in ²)	2.65 (38.5)	
Maximum Domestic Hot Water Inlet Pressure	bar (lb/in ²)	10.0 (145)	
Minimum Domestic Hot Water Inlet Pressure	bar (lb/in ²)	0.5 (7)	
Maximum Domestic Hot Water Outlet Pressure	bar (lb/in ²)	2.0 (29)	
Temperature & Pressure relief valve		Preset 95°C / 4.0 Bar opening	
Electrical Supply / Power consumption		230 V ~ 50 Hz. / 148 W	
Fuse Rating		External : 3A	Internal : 3.15A TL250 V
Water content	Central Heating litre (gal)	2.0 (.44)	
	Domestic Hot Water	80 litre	120 litre
Packaged Weight - Boiler box	kg (lb)	58.5 (129)	58.5 (129)
Packaged Weight - Tank box	kg (lb)	66 (145)	73 (161)
Maximum Installation Weight -Boiler box	kg (lb)	55 (121)	55 (121)
Maximum Installation Weight -Tank box	kg (lb)	59 (130)	65 (143)
Boiler Casing Size	Height mm (in)	1400 (55)	1600 (63)
	Width mm (in)	560 (22)	560 (22)
	Depth mm (in)	600 (23.6)	600 (23.6)
Potable water components on tank module			
Pressure reducing valve		preset to 2 bar	
Thermostatic mixer		max inlet temp 85°C/max pressure 14 bar	
Pressure and temp relief valve on cylinder		90°C and 4 bar	
Pressure relief valve on inlet manifold		3 bar	
DHW expansion vessel		12 litres, precharged to 2 bar	

Table 2 - Performance Data - Central Heating

Boiler Input :		Max.	Min.
Nett CV	kW	24.4	9.1
	(Btu/h)	(83 300)	(31 000)
Gross CV	kW	27.1	10.1
	(Btu/h)	(92 500)	(34 400)
Gas Consumption	l/s	0.70	0.26
	(ft ³ /h)	(89.1)	(33.2)
Boiler Output :			
Non Condensing	kW	23.4	8.8
	(Btu/h)	(80 000)	(30 000)
Condensing	kW	25.1	9.6
	(Btu/h)	(85 700)	(32 800)
Seasonal efficiency (SEDBUK)*		Band A [90.1]%	
NOx Classification		Class 4	

Table 3 - Performance Data - Domestic Hot Water

Maximum DHW Input :	Nett CV	kW	30.2
		(Btu/h)	(103 000)
	Gross CV	kW	33.5
		(Btu/h)	(114 400)
Gas Consumption		l/s	0.87
		(ft ³ /h)	(110)
Maximum DHW Output	kW	29.3	
		(Btu/h)	(100 000)
DHW Storage Temp			70°C
DHW Delivery Temp	Factory set		60°C
Variable on Installation only			45°C-65°C
DHW Flow Rate			HE260
			HE325
(Practical maximum assuming suitable mains supply)		l/min	35
DHW Recovery from 15°C		min.	14
After 70% draw off		min.	9
			12

* The value is used in the UK Government's Standard Assessment Procedure (SAP) for energy rating of dwellings. The test data from which it has been calculated have been certified by a notified body.

Note. Gas consumption is calculated using a calorific value of 38.7 MJ/m³ (1038 Btu/ft³) gross or 34.9 MJ/m³ (935 Btu/ft³) nett

To obtain the gas consumption at a different calorific value:

- For l/s - divide the gross heat input (kW) by the gross C.V. of the gas (MJ/m³)
- For ft³/h - divide the gross heat input (Btu/h) by the gross C.V. of the gas (Btu/ft³)

Key to symbols

IE = Ireland, **GB** = United Kingdom (Countries of destination)

PMS = Maximum operating pressure of water

C₁₃ C₃₃ C₅₃ = A room sealed appliance designed for connection via ducts to a horizontal or vertical terminal, which admits fresh air to the burner and discharges the products of combustion to the outside through orifices which, in this case, are concentric. The fan is up stream of the combustion chamber.

I_{2H} = An appliance designed for use on 2nd Family gas, Group H only.

CAUTION. To avoid the possibility of injury during the installation, servicing or cleaning of this appliance, care should be taken when handling edges of sheet steel components.

GENERAL

istor

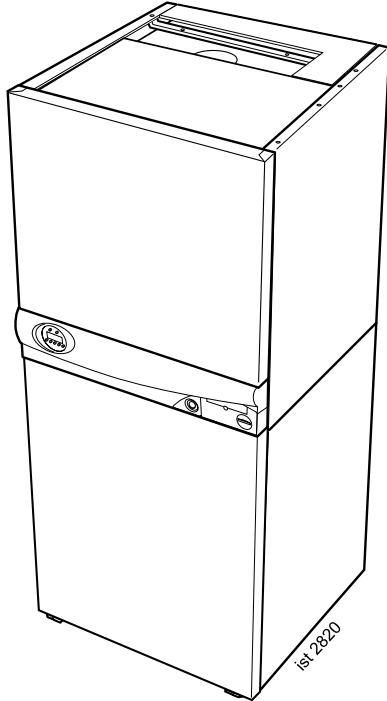
Natural Gas only

G.C. Appliance No. HE260 41-394-13

G.C. Appliance No. HE325 41-394-14

PI No.0063 BM 3094

Destination Countries: UK, IE



CONTENTS

	page no.
Air Supply	7
Boiler Clearances	6
Boiler Exploded Diagram	10, 11
Condensate Drain	8
Electrical Connections	22
Electrical Supply	8
Extension Ducts - Fitting	18
Fault Finding	47 to 52
Flow Wiring Diagram	25
Flue Fitting	
Rear outlet	13
Side outlet	13
Flue Installation	7
Gas Safety Regulations	5
Gas Supply	7
Installation	11 to 28
Mandatory Requirements	5 to 10
Pump	44
Servicing	29 to 46
Short List of Parts	53
Thermostatic Radiator valves	8
Water and Systems	8 to 10
Water Connections	19, 20
Water Treatment	10
Wiring Diagrams	22 to 25

For GB, to comply with Building Regulations Part L1 (Part J in Scotland) the boiler should be fitted in accordance with the manufacturer's instructions. Self-certification that the boiler has been installed to comply with Building Regulations can be demonstrated by completing and signing the Benchmark log book.

BENCHMARK LOG BOOK DETAILS

	Page		Page
Boiler		Burner operating pressure	measure and record
Make and model	3	Central heating flow temp.	measure and record
Appliance serial no. on data badge	11	Central heating return temp. ...	measure and record
SEDBUK No. %	2	For combination boilers only	
Controls		Scale reducer	n/a
Time and temperature control to heating	24	<i>Hot water mode</i>	
Time and temperature control to hot water	24	Heat input	n/a
Heating zone valves	n/a	Max. operating burner pressure	n/a
TRV's	8	Max. operating water pressure	n/a
Auto bypass	8	Cold water inlet temp	n/a
Boiler interlock	8	Hot water outlet temp.	n/a
For all boilers		Water flow rate at max. setting	n/a
Flushing to BS.7593	10	For condensing boilers only	
Inhibitor	10	Condensate drain	21
<i>Central heating mode</i>		For all boilers: complete, sign & hand over to customer	
Heat input	to be calculated		

For assistance see Technical Helpline on the back page

NOTE TO THE INSTALLER: LEAVE THESE INSTRUCTIONS ADJACENT TO THE GAS METER. ALSO COMPLETE THE BENCHMARK LOG BOOK AND GIVE THIS TO THE CUSTOMER.



INTRODUCTION

The istor HE260 & HE325 boilers are a fully automatically controlled, condensing, system store, fanned flue, gas boiler.

Note.

Due to the high efficiency of the boiler a plume of water vapour will form at the terminal during operation.

Central heating (CH) output is fully modulating with a range of:

8.8 to 23.4kW (30,000 to 80,000 Btu/h)

Domestic hot water (DHW) output to the cylinder is also fully modulating with a maximum of:

29.3kW (100,000 Btu/h)

The boiler is supplied fully assembled with an unvented DHW cylinder, diverter valve, circulating pump, CH & DHW expansion vessels, pressure gauge, safety valves, thermostatic mixer valve and water governor.

Variable CH temperature control is fitted on the user control.

A programmer is fitted as standard.

The boiler casing is of white painted zintec coated mild steel.

The boiler temperature controls are visible at the middle RHS of the front panel.

The heat exchanger is of cast aluminium.

The DHW cylinder is made of copper with a rapid recovery coil and produces mains pressure hot water to a maximum pressure of 2 bar.

The system pipework MUST include drain cocks in appropriate places.

A prepiping frame is provided with the boiler which allows pipework to be made to the boiler before installation of the tank module and boiler module.

Note. Prior to installation this appliance must be stored in a dry, upright condition.

Due note should be taken of the carton labelling when handling this appliance.

OPERATION

With no demand for CH the boiler fires only when DHW is drawn off, or periodically for a few seconds without any DHW draw-off, in order to maintain the DHW cylinder in a heated condition.

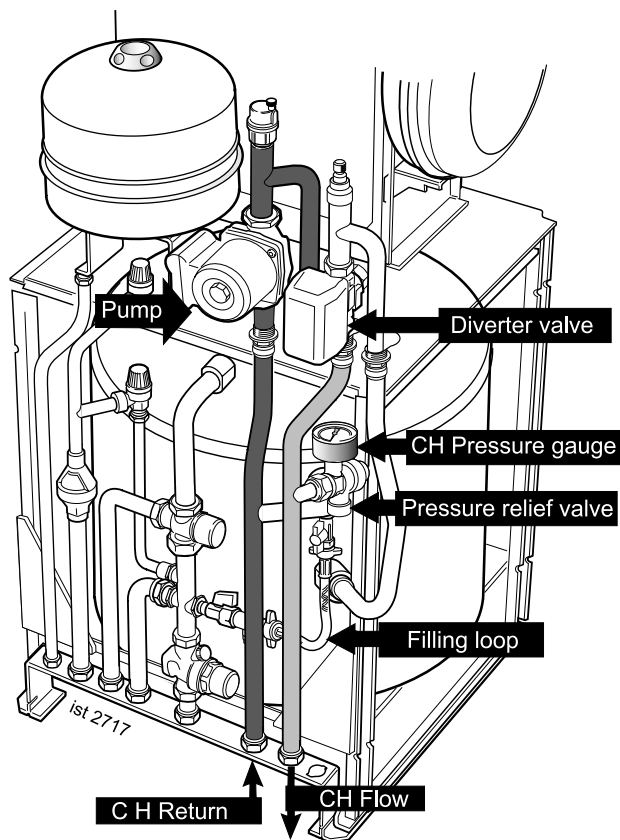
When there is a demand for CH, the heating system is supplied at the selected temperature of between 30 °C and 82 °C, until DHW is drawn off. The full output from the boiler is then directed via the diverter valve to the cylinder coil to satisfy the cylinder store temperature of 70°C.

DHW temperature is controlled to a factory set 60°C via a thermostat mixer valve. This is adjustable on installation.

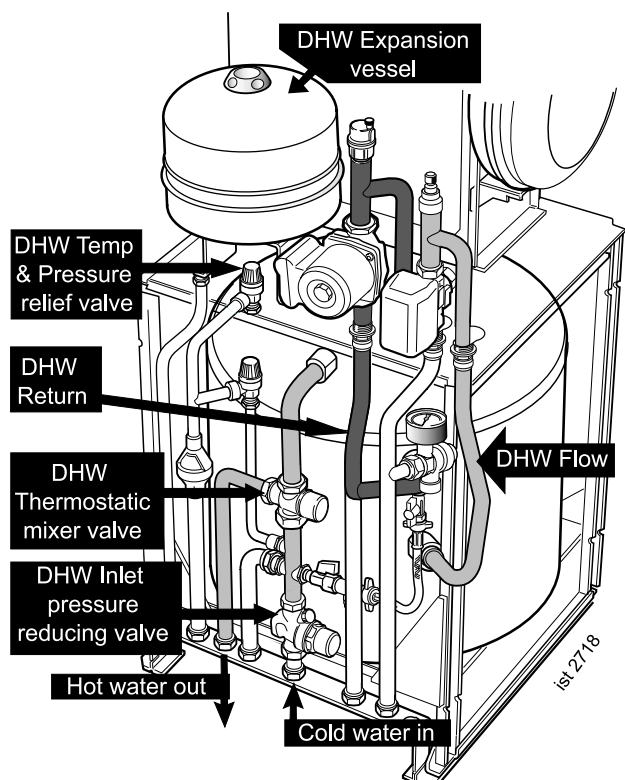
The boiler features a comprehensive diagnostic system which gives detailed information on the boiler status when operating, and performance of key components to aid commissioning and fault finding.

1 BOILER WATER CIRCUIT DIAGRAMS

Central Heating Circuit



Domestic Hot Water Circuit



OPTIONAL EXTRA KITS

- **Flue Kits (for more details see pages 8 & 9).**
- **Condensate pump Kit.**
- **90° Elbow Kit (max 4 elbows/ installation).**
- **45° Elbow Kit (max 4 elbows/ installation).**
- **Remote User controls.**

SAFETY

Installation of this boiler as an unvented hot water system falls within the scope of the Building Regulations 1995 (Part G). These require that installation of an 'unvented' system shall be notified to the local authority Building Control Department: also that the work must be carried out by a competent person as defined in the Approved Document G3.

Current Gas Safety (installation and use) regulations or rules in force:

The appliance is suitable only for installation in GB and IE and should be installed in accordance with the rules in force.

In GB, the installation must be carried out by a CORGI Registered Installer. It must be carried out in accordance with the relevant requirements of the:

- Gas Safety (Installation and Use) Regulations
- The appropriate Building Regulations either The Building Regulations, The Building Regulations (Scotland), Building Regulations (northern Ireland).
- The Water Fittings Regulations or Water byelaws in Scotland.
- The Current I.E.E. Wiring Regulations.

Where no specific instructions are given, reference should be made to the relevant British Standard Code of Practice.

In IE, the installation must be carried out by a Competent Person and installed in accordance with the current edition of I.S.813 "Domestic Gas Installations", the current Building Regulations and reference should be made to the current ETCI rules for electrical installation.

Detailed recommendations are contained in the following British Standard Codes of Practice:

- BS. 5440:1** Flues (for gas appliances of rated input not exceeding 70 kW).
- BS. 5440:2** Ventilation (for gas appliances of rated input not exceeding 70 kW).
- BS. 5449** Forced circulation hot water systems.
- BS. 5546** Installation of gas hot water supplies for domestic purposes (2nd Family Gases)
- BS. 6798** Installation of gas fired hot water boilers of rated input not exceeding 60 kW.
- BS. 6891** Low pressure installation pipes.

Health & Safety Document No. 635.

The Electricity at Work Regulations, 1989.

The manufacturer's notes must NOT be taken, in any way, as overriding statutory obligations.

IMPORTANT. These appliances are CE certificated for safety and performance. It is, therefore, important that no external control devices, e.g. flue dampers, economisers etc., are directly connected to these appliances unless covered by these Installation and Servicing Instructions or as otherwise recommended by **Caradon Ideal Limited** in writing. If in doubt please enquire.

Any direct connection of a control device not approved by **Caradon Ideal Limited** could invalidate the certification and the normal appliance warranty. It could also infringe the Gas Safety Regulations and the above regulations.

SAFE HANDLING OF SUBSTANCES

Care should be taken when handling the boiler insulation panels, which can cause irritation to the skin. No asbestos, mercury or CFCs are included in any part of the boiler or its manufacture.

LOCATION OF BOILER AND FLUE OUTLET

The boiler is floor mounted. The floor must be capable of adequately supporting the weight of the boiler and any ancillary equipment.

The boiler may be fitted on a combustible floor and insulation between the floor and the boiler is not necessary, unless required by the local authority.

For electrical safety reasons there must be no access available from the back of the boiler.

The boiler must not be fitted outside.

Timber Framed Buildings

If the boiler is to be fitted in a timber framed building it should be fitted in accordance with the Institute of Gas Engineering document IGE/UP/7:1998.

Where installation will be in an unusual location, special procedures may be necessary and BS 6798 gives detailed guidance on this aspect.

Compartment Installations

A compartment used to enclose the boiler should be designed and constructed specially for this purpose.

An existing cupboard or compartment may be used, provided that it is modified for the purpose.

In both cases, details of essential features of cupboard / compartment design, including airing cupboard installation, are to conform to the following:

- BS 6798 (No cupboard ventilation is required - see air supply for details).
- The position selected for installation MUST allow adequate space for servicing in front of the boiler.
- For the minimum clearances required for safety and subsequent service, see Frame 2. In addition, sufficient space may be required to allow lifting access for the boiler module.

GENERAL

2 BOILER DIMENSIONS, SERVICES & CLEARANCES *all dimensions in mm (in)*

The boiler connections are made on the boiler piping frame. Refer to Frame 22.

The following minimum clearances must be maintained for operation and servicing.

Additional space will be required for installation, depending upon site conditions.

Side and Rear Flue

- a Provided that the flue hole is cut accurately, e.g. with a core drill, the flue can be installed from inside the building where wall thicknesses do not exceed 600mm (24"). Where the space into which the boiler is going to be installed is less than the length of flue required the flue must be fitted from the outside.

Installation from inside ONLY

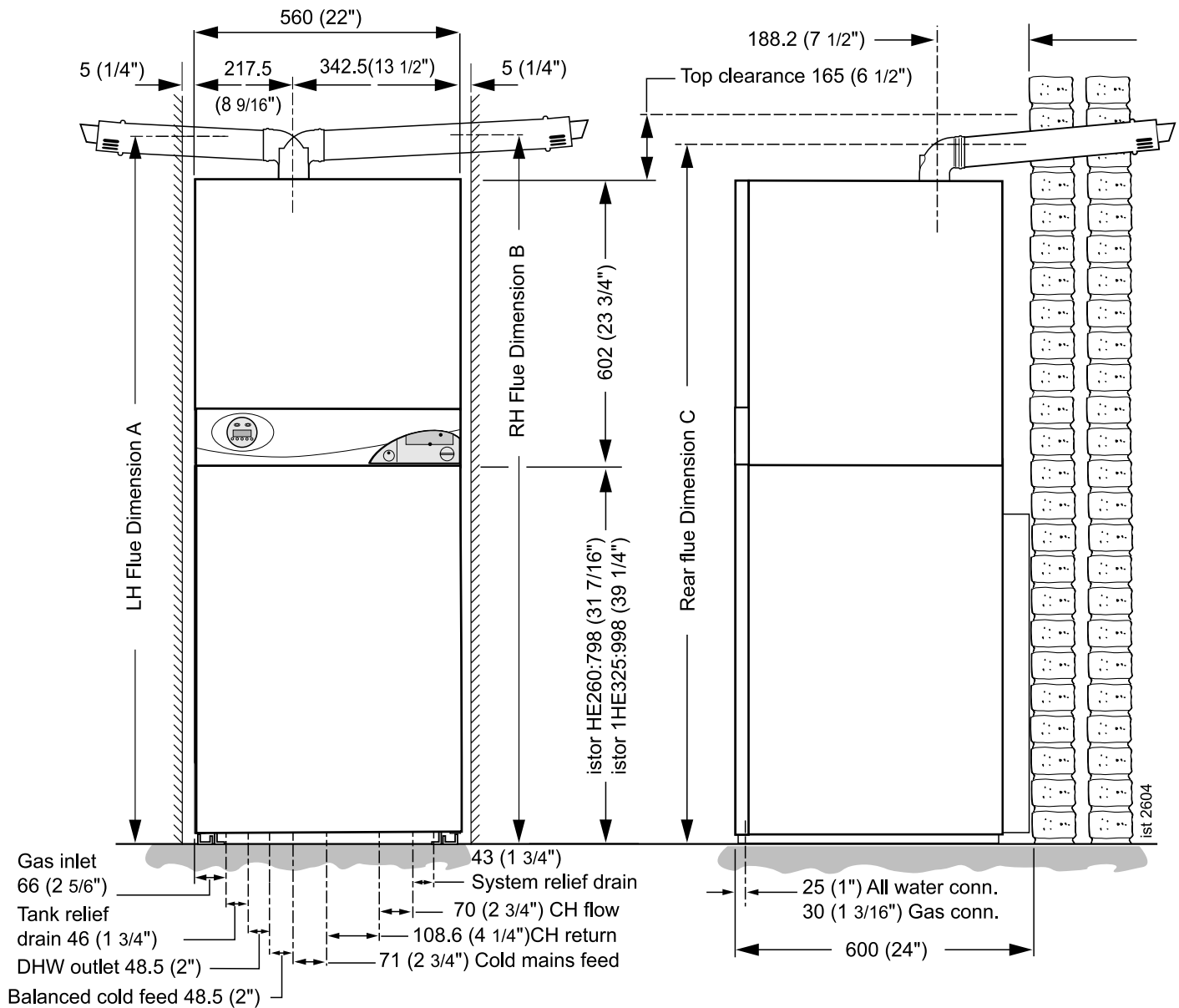
- b. If a core boring tool is to be used inside the building the space in which the boiler is to be installed must be at least wide enough to accommodate the tool.

Front clearance

The minimum front clearance when built in to a cupboard is 5mm (1/4") from the cupboard door but 450mm (17 3/4") overall clearance is still required, with the cupboard door open, to allow for servicing.

If fitted to minimum clearances, the following dimensions apply:

Boiler		HE260	HE325
LH Flue Dim A	m m	1477	1677
RH Flue Dim B	m m	1480	1680
Rear Flue Dim C	m m	1476	1676



GENERAL

GAS SUPPLY

The local gas supplier should be consulted, at the installation planning stage, in order to establish the availability of an adequate supply of gas. An existing service pipe must NOT be used without prior consultation with the local gas supplier.

The boiler MUST be installed on a gas supply with a governed meter only.

A gas meter can only be connected by the local gas supplier or by a registered CORGI engineer. In IE by a competent person.

An existing meter should be checked, preferably by the gas supplier, to ensure that the meter is adequate to deal with the rate of gas supply required.

N.B. The principle of the 1:1 gas valve ensures that the **istor** is able to deliver its full output at inlet pressures well below those required by BS. 6891.

IMPORTANT.

Installation pipes must be fitted in accordance with BS.6891. In IE refer to IS.813:2002. Pipework from the meter to the boiler MUST be of an adequate size, i.e. no longer than 20m and not less than 15mm O.D.

The complete installation MUST be tested for gas soundness and purged as described in the above code.

FLUE INSTALLATION

Plumbing will occur at the terminal so terminal positions where this could cause a nuisance should be avoided.

The flue must be installed in accordance with the recommendations of BS. 5440-1: 2000.

In IE refer to I.S. 813:2002.

Do not use pipes of a smaller size than the boiler inlet gas connection.

The following notes are intended for general guidance:

1. The boiler MUST be installed so that the terminal is exposed to external air.
2. It is important that the position of the terminal allows the

Table 4 - Balanced flue terminal position

Terminal Position	Minimum Spacing
1. Directly below or alongside an opening window, air vent or other ventilation opening	300 mm (12")
2. Below guttering, drain pipes or soil pipes	75 mm (3")
3. Below eaves	200 mm (8")
4. Below balconies or a car port roof	200 mm (8")
5. From vertical drain pipes or soil pipes	150 mm (6")
6. From internal or external corner or to a boundary along the terminal.	300 mm (12")
7. Above adjacent ground, roof or balcony level	300 mm (12")
8. From a surface or a boundary facing the terminal	600 mm (24")
9. From a terminal facing a terminal	1200 mm (48")
10. From an opening in a car port (e.g. door or window) into dwelling	1200 mm (48")
11. Vertically from a terminal on the same wall	1500 mm (60")
12. Horizontally from a terminal on the wall	300 mm (12")

free passage of air across it at all times.

3. Minimum acceptable spacing from the terminal to obstructions and ventilation openings are specified in Table 4.
4. Where the lowest part of the terminal is fitted less than 2m (6'6") above a balcony, above ground or above a flat roof to which people have access then the terminal MUST be protected by a purpose designed guard.

Terminals guards are available from boiler suppliers. In case of difficulty seek advice from:

Grasslin (UK) Ltd.,
Vale Rise, Tonbridge, Kent TN9 1TB
Telephone No. 01732 359 888

Ensure that the guard is fitted centrally.

5. Where the terminal is fitted within 850mm (34") of a plastic or painted gutter or 450mm (18") of painted eaves then an aluminium shield at least 750mm (30") long should be fitted to the underside of the gutter or painted surface fitted centrally above the flue.
6. The air inlet/products outlet duct and the terminal of the boiler MUST NOT be closer than 25mm (1") to combustible material. Detailed recommendations on the protection of combustible material are given in BS. 5440: Part 1, 2000. In IE refer to IS 813:2002.

IMPORTANT. It is absolutely essential to ensure, in practice, that products of combustion discharging from the terminal cannot re-enter the building or any other adjacent building through ventilators, windows, doors, other sources of natural air infiltration, or forced ventilation / air conditioning.

If this should occur the appliance MUST be turned OFF, labelled as 'unsafe' until corrective action can be taken.

TERMINAL

The terminal assembly can be adapted to accommodate various wall thicknesses. Refer to Frame 26.

AIR SUPPLY

It is NOT necessary to have a purpose-provided air vent in the room or internal space in which the boiler is installed. Neither is it necessary to ventilate a cupboard or compartment in which the boiler is installed, due to the low surface temperatures of the boiler casing during operation; therefore the requirements of BS 6798, Clause 12, and BS 5440:2 may be disregarded. In IE the requirement of IS 813:2002 may be disregarded.

WATER CIRCULATION SYSTEM

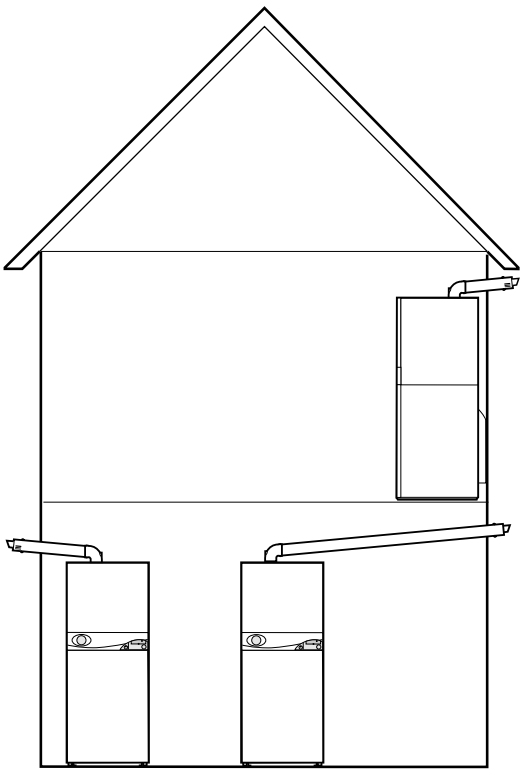
A minimum length of 1 metre of copper pipe MUST be fitted to both flow and return connections from the boiler before connection to any plastic piping.

The central heating system should be in accordance with BS. 6798 and, in addition, for smallbore and microbore systems, BS. 5449.

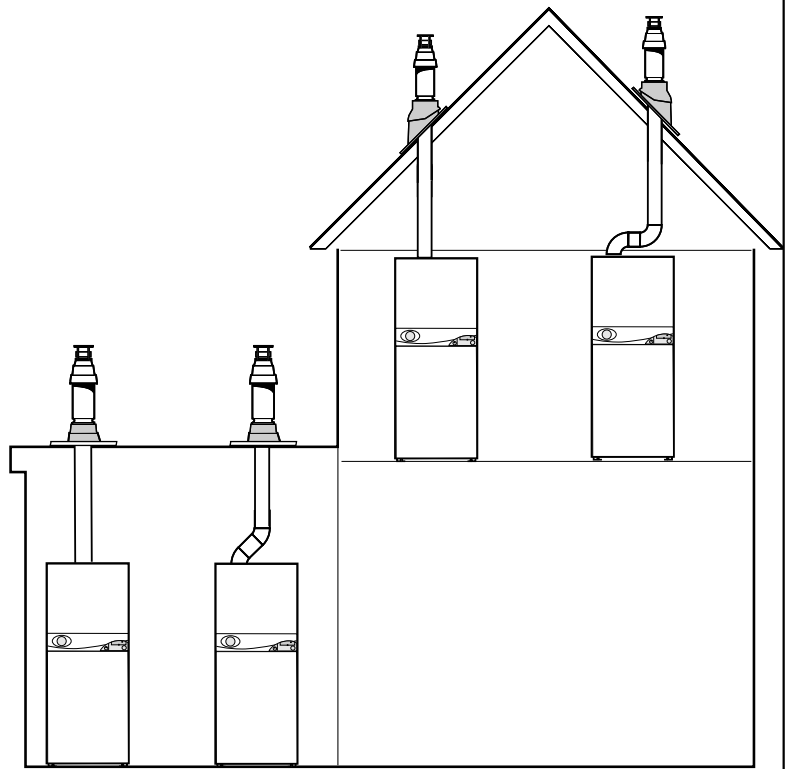
Draining taps MUST be located in accessible positions, which permit the draining of the whole system. They should be at least 1/2" BSP nominal size and be in accordance with BS 2879.

WATER TREATMENT - see Frame 9

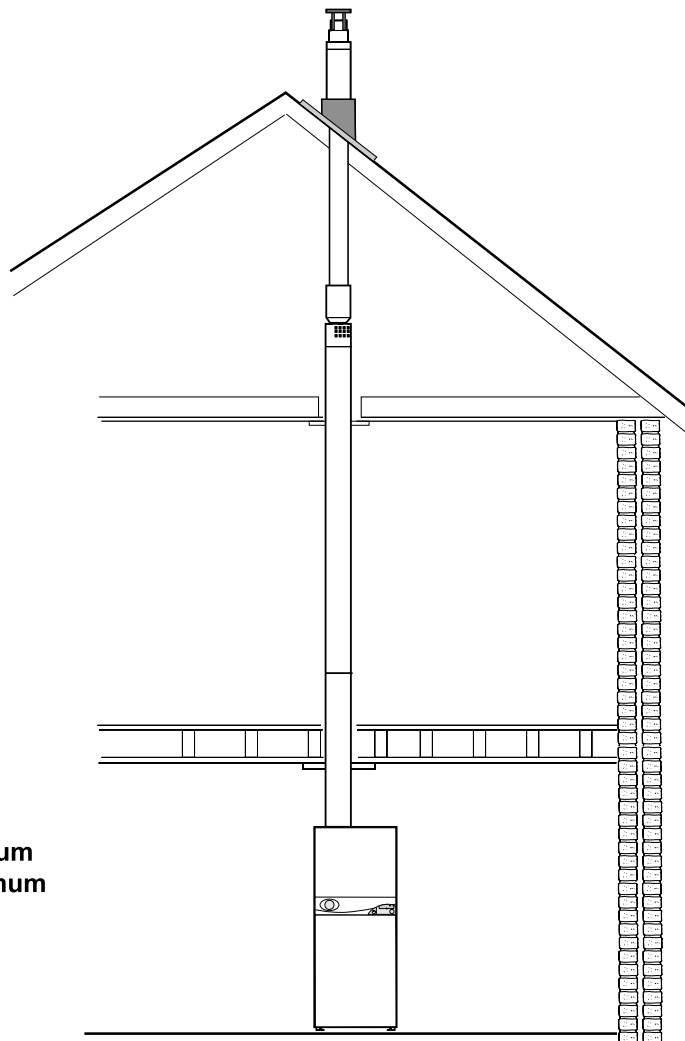
3 FLUEING OPTIONS



100mm Concentric flue
(to maximum flue length of 6m)



Roof flue kit (to a maximum of 8m)



Powered Vertical Flue Kit (to a maximum
primary flue length of 8m and a maximum
secondary length of 6m)

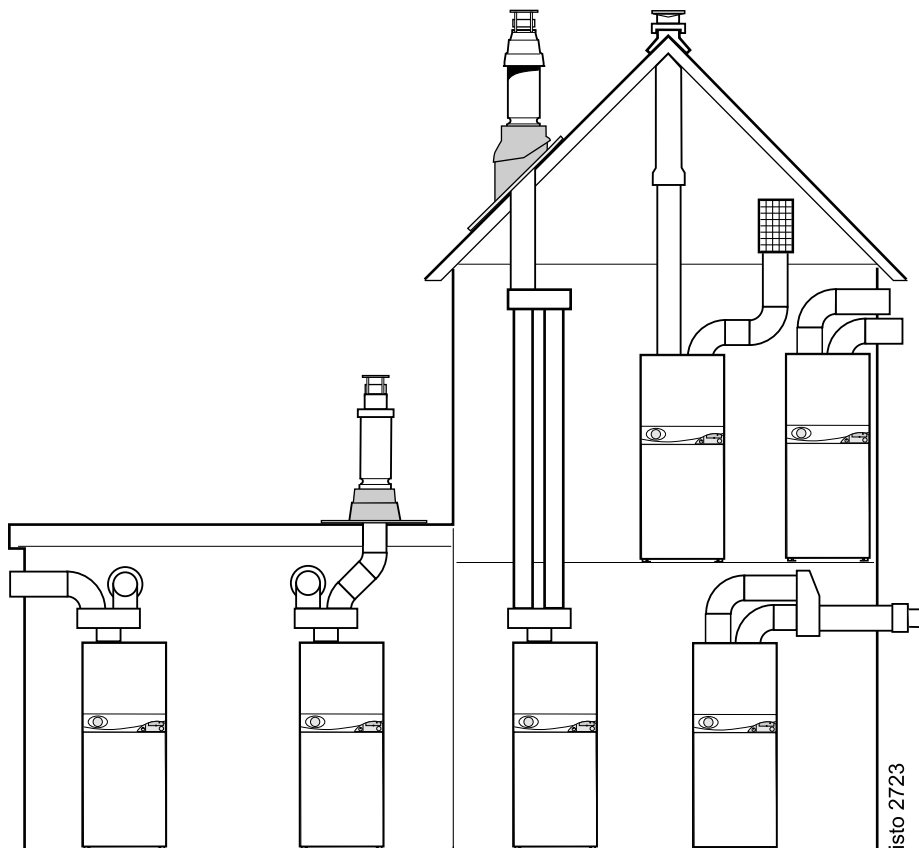
ist 2722

4 FLUEING OPTIONS

Twin flueing kit.

80/80 kit to a maximum of 46m combined flue and air duct.

60/60 kit to a maximum of 20m combined flue and air duct (horizontal applications only).



THERMOSTATIC RADIATOR VALVES (TRV)

Caradon Ideal Limited recommend that heating systems utilising full thermostatic radiator valve control of temperature in individual rooms should also be fitted with a room thermostat controlling the temperature in a space served by radiators not fitted with such a valve as stated in BS. 5449.

When thermostatic radiator valves are used, the space heating temperature control over a living area having a heating requirement of at least 0.9kW (3000Btu/h) of the boiler heat output should be achieved using a room thermostat whilst other rooms are individually controlled by thermostatic radiator valves. A higher proportion of TRVs may be used, provided that a bypass between the boiler flow and return is fitted, to ensure adequate flow when all TRVs are closed - however this is NOT recommended as a large proportion of TRVs can restrict water circulation and inhibit the condensing mode of condensing boilers, reducing fuel economy.

For further information refer to the 'Good Practice Guide 143', a publication of the Energy Efficiency Office, available from the Building Research Establishment, Garston, Watford WD2 7JR. Tel: +44 (0) 1923 664258.

ELECTRICAL SUPPLY

WARNING. This appliance MUST be earthed,

Wiring external to the appliance MUST be in accordance with the current I.E.E. (BS.7671) Wiring Regulations and any local regulations which apply. For IE reference should be made to the current ETCI rule for electrical installations.

The point of connection to the mains should be readily accessible and adjacent to the boiler.

CONDENSATE DRAIN - Refer to Frame 20

A condensate drain is provided on the boiler. This drain must be connected to a drainage point on site. All pipework and fittings in the condensate drainage system MUST be made of plastic - *no other materials may be used.*

IMPORTANT.

Any external runs must be insulated

The drain outlet on the boiler is standard 3/4in (21.5mm) overflow pipe.

GENERAL

5 SYSTEM REQUIREMENTS - Central Heating

Notes

- a. The method of filling, refilling, topping up or flushing sealed primary hot water circuits from the mains via a temporary hose connection is only allowed if acceptable to the local water authority.
- b. Antifreeze fluid, corrosion and scale inhibitor fluids suitable for use with boilers having aluminium heat exchangers may be used in the central heating system.

Advice should be sought from a local water treatment company.

General

1. The installation must comply with all relevant national and local regulations.
2. The installation should be designed to work with flow temperatures of up to 82 °C.
3. All components of the system must be suitable for a working pressure of 3 bar and temperature of 110 °C. Extra care should be taken in making all connections so that the risk of leakage is minimised.

The following components are incorporated within the appliance for the central heating:

- a. Circulating pump.
 - b. Safety valve, with a non-adjustable preset lift pressure of 3 bar.
 - c. Pressure gauge, covering a range of 0 to 6 bar.
 - d. A 8-litre expansion vessel, with an initial charge pressure of 1.0 bar.
 - e. Diverter valve.
 - f. Filling loop.
4. **'Make-up' Water.** Provision is made for replacing water loss from the system, via a filling loop supplied and fitted to the appliance.

Note.

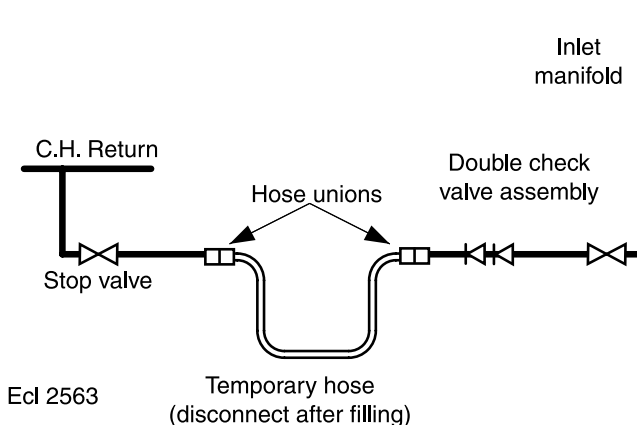
The maximum cold water capacity of the system should not exceed 143 litres, if not pressurized. However, if the system is to be pressurized, the efficiency of the expansion vessel will be reduced and a larger vessel (or smaller system volume) may be necessary. If the capacity of the vessel is not considered sufficient for this, or for any other reason, an additional vessel **MUST** be installed on the return to the boiler.

Guidance on vessel sizing is given above.

5. **Filling.** The system should be filled by the following method:

- a. Through the filling loop fitted to the appliance. Connecting the inlet manifold to the CH return.
 - i. Thoroughly flush out the whole system with cold water.
 - ii. Fill and vent the system until the pressure gauge registers 1.5 bar, and examine for leaks.
 - iii. Check the operation of the safety valve by raising the water pressure until the valve lifts. This should occur within 0.3 bar of the preset lift pressure.
 - iv. Release water from the system until the minimum system design pressure is reached; 1.0 bar if the system is to be pre-pressurised.

Safety valve setting	bar	3.0	
Vessel charge pressure	bar	0.5 to 0.75	
System pre-charge pressure	bar	None	1.0
System volume (litres)		Expansion vessel volume (litres)	
	25	1.6	1.8
	50	3.1	3.7
	75	4.7	5.5
	100	6.3	7.4
	125	7.8	9.2
	150	9.4	11.0
	175	10.9	12.9
	190	11.9	14.0
	200	12.5	14.7
	250	15.6	18.4
	300	18.8	22.1
For other system volumes multiply by the factor across		0.063	0.074



Water Flow Rate and Pressure Loss

Max CH Output	kW	23.4
	(Btu/h)	(80 000)
Water flow rate	l/sec	0.37
	(gal/min)	4.8
Temperature Differential	°C	15
	(°F)	(27)
Head available for system pump.	m.w.g.	2.3
	(ft.w.g.)	7.5

6 SYSTEM REQUIREMENTS - Domestic Hot Water

Domestic Hot Water Requirements (see note in Frame 15).

1. The domestic hot water service must be in accordance with BS 5546 and BS 6700.
2. Refer to Table 1 for minimum and maximum working pressures.
3. The boilers are suitable for connection to most types of washing machine and dishwasher appliances.
4. When connecting to suitable showers, ensure that:
 - a. The cold inlet to the boiler is fitted with an approved anti-vacuum or syphon non-return valve.
 - b. Hot and cold water supplies to the shower are of equal pressure.

5. Hard Water Areas

Where the water hardness exceeds 200mg/litre, it is recommended that a proprietary scale reducing device is fitted into the boiler cold supply within the requirements of the local water company.

Note.

Attention is drawn to the following extracts from the Building Regulations 1991.

Regulation 11(1) (Giving of a building notice or deposit of plans)

"Subject to the following provisions of this regulation, a person who intends to carry out building work or to make a material change of use shall:

- a. Give to the local authority* a building notice in accordance with 12; or
- b. Deposit full plans with the local authority* in accordance with regulation 13".

Regulation 12(4) (Particulars and plans where a building notice is given)

".....a building notice shall be accompanied by a statement which specifies:

*Attention is drawn to regulation 18 (supervision of building work otherwise than by local authorities).

- a. The name, make, model and type of hot water storage system to be installed;
- b. The name of the body, if any, which has approved or certified that the system is capable of performing in a way which satisfies the requirements of paragraph G3 of Schedule 1;
- c. The name of the body, if any, which has issued any current registered operative identity card to the installer or proposed installer of system."

Regulation 13(3) (Full plans)

"Full plans shall consist of:

- a. Description of the proposed building work or material change of use, and the plans, particulars and statements required by paragraphs (1) to (4) of regulation 12: and...."

Note.

Bye-laws of the appropriate Water Undertake also apply.

Discharge Pipework

It is a requirement of Building Regulation G3 that any discharge from an unvented system is conveyed to where it is visible, but will not cause danger to persons in or about the building. The tundish and discharge pipes should be fitted in accordance with requirements and guidance notes of Building Regulation G3. The G3 Requirements and Guidance section 3.9 are reproduced in the following sections. Information Sheet No.33 available from the British Board of Agreement gives further advice on discharge pipe installation. For discharge pipe arrangements not covered by G3 Guidance or BBA Info sheet No.33 advice should be sought from either your local Building Control Officer or Caradon Ideal Limited.

G3 Requirement

".....there shall be precautions..... to ensure that the hot water

discharged from safety devices is safely conveyed to where it is visible but will not cause danger to persons in or about the building."

G3 Guidance SECTION 3.9

The discharge pipe (D1) from the vessel up to and including the tundish is generally supplied by the manufacturer of the hot water storage system. Where otherwise, the installation should include the discharge pipe(s) (D1) from the safety device(s). In either case the tundish should be vertical, located in the same space as the unvented hot water storage system and be fitted as close as possible and within 500mm of the safety device e.g. the temperature relief valve.

Note.

The tundish is factory fitted during manufacture of the istor. The discharge pipe (D2) from the tundish should terminate in a safe place where there is no risk to persons in the vicinity of the discharge, preferably be of metal and:

- a. Be at least one pipe size larger than the nominal outlet size of the safety device unless its total equivalent hydraulic resistance exceeds that of straight pipe 9m long i.e. discharge pipes between 9m and 18m equivalent resistance length should be at least two sizes larger than the nominal outlet size of the safety device, between 18 and 27m at least 3 sizes larger, and so on. Bends must be taken into account in calculating the flow resistance. Refer to
An alternative approach for sizing discharger pipes would be to follow BS 67100:1987 specification for design installation, testing and maintenance of services supplying water for domestic use within buildings and their curtilages. Appendix E. section E2 and table 21.
- b. Have a vertical section of at least 300mm long, below the tundish before any elbows or bends in the pipework.
- c. Be installed with a continuous fall.
- d. Have discharges visible at both the tundish and the final point of discharge but where this is not possible or is practically difficult there should be clear visibility at one or other of these locations. Examples of acceptable discharge arrangements are:
 - i. Ideally below a fixed grating and above the water seal in a trapped gully.
 - ii. Downward discharges at low level; i.e. up to 100mm above external surfaces such as car parks, hard standings, grassed areas etc. are acceptable providing that where children may play or otherwise come into contact with discharges a wire cage or similar guard is positioned to prevent contact whilst maintaining visibility.
 - iii. Discharges at high level; e.g. into a metal hopper and metal down pipe with the end of the discharge pipe clearly visible (tundish visible or not) or onto a roof capable of withstanding high temperature discharges of water and 3m from any plastic guttering system that would collect such discharges (tundish visible).
 - iv. Where a single pipe serves a number of discharges, such as in blocks of flats, the number served should be limited to not more than 6 systems so that any installation discharging can be traced reasonably easily. The single common discharge pipe should be at least one pipe size larger than the largest individual discharge pipe (D2) to be connected. If unvented hot water storage systems are installed where discharges from safety devices may not be apparent i.e. in dwellings occupied by blind, infirm or disabled people, consideration should be given to

7 SYSTEM REQUIREMENTS - Domestic Hot Water (continued)

the installation of an electronically operated device to warn when discharge takes place.

Note.

The discharge will consist of scalding water and steam. Asphalt, roofing felt and non-metallic rain water goods may be damaged by such discharges.

Worked example of discharge pipe sizing

The example below is for a G1/2 temperature relief valve with a discharge pipe (D2) having 4 No. elbows and length of 7m from the tundish to the point of discharge.

From Table 1:

Maximum resistance allowed for a straight length of 22mm copper discharge pipe (D2) from a G1/2 temperature relief valve is 9.0m

Subtract the resistance for 4 No. 22mm elbows at 0.8m each = 3.2m.

Therefore the permitted length equates to 5.8m.

5.8m is less than the actual length of 7m therefore calculate the next largest size. Maximum resistance allowed for a straight length of 28mm pipe (D2) from a G1/2 temperature relief valves equates to 18m.

Subtract the resistance of 4 No.28mm elbows at 1.0m each: 4.0m.

Therefore the maximum permitted length equates to:14m.

As the actual length is 7m a 28mm min (D2) copper pipe will be satisfactory.

WARNINGS

- Under no circumstances should the factory fitted temperature/pressure relief valve be removed other than by authorised personnel. To do so will invalidate any warranty claim.
- Table 1. Sizing if copper discharge pipe (D2) for common temperature relief valve outlet sizes.
- Control and safety valves MUST NOT be tampered with.

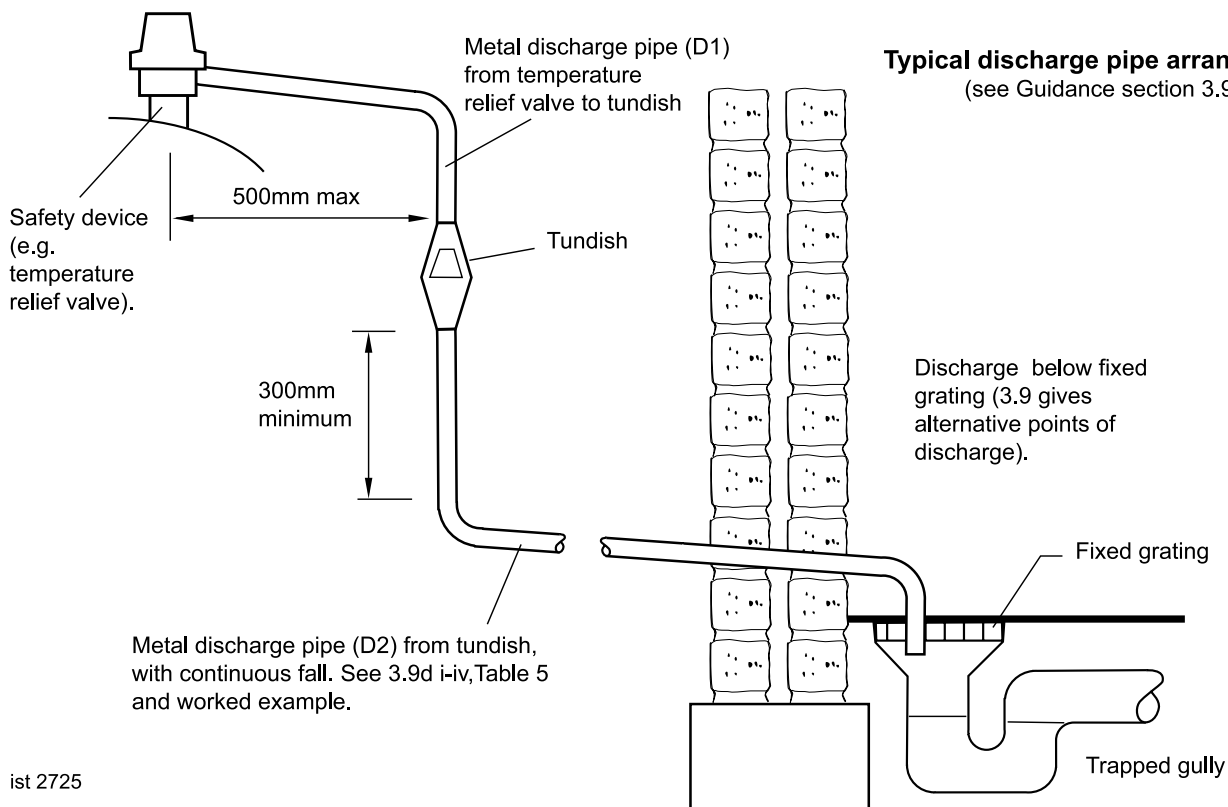
- The discharge pipe MUST NOT be blocked or used for any other purpose.
- The tundish must not be removed.
- Electrical components must not be sited near the tundish.

Valve outlet size	Minimum discharge pipe D1	Minimum discharge pipe D2 from tundish	Maximum resistance allowed, expressed as a length of straight pipe (i.e. no elbow or bends)	Resistance created by each elbow or bend
G1/2	15mm	22mm 28mm 35mm	up to 9m up to 18m up to 27m	0.8m 1.0m 1.4m
G3/4	22mm	28mm 35mm 42mm	up to 9m up to 18m up to 27m	1.0m 1.4m 1.7m
G1	28mm	35mm 42mm 54mm	up to 9m up to 18m up to 27m	1.4m 1.7m 2.4m

The boiler does not normally need a bypass but at least some radiators on the heating circuit, of load of at least 10% of the minimum boiler output, must be provided with twin lockshield valves so that this minimum heating load is always available. See note regarding thermostatic radiator valves on page 8.

Note.

Systems incorporating zone valves which could completely cut off the flow through the system, must be wired such that the boiler will not fire or continue to fire when this occurs.



ist 2725

GENERAL

8 SYSTEM BALANCING

BALANCING

1. Set the programmer to ON.
Close the manual or thermostatic valves on all radiators, leaving the twin lockshield valves (on the radiators referred to above) in the OPEN position.
Turn up the room thermostat and adjust these lockshield valves to give boiler flow and return temperatures not more than 20 °C apart.

- These valves should now be left as set.
2. Open all manual or thermostatic radiator valves and adjust the lockshield valves on the remaining radiators, to give around 15 °C temperature drop at each radiator.
 3. Adjust the room thermostat and programmer to NORMAL settings.

9 WATER TREATMENT

The istor boiler has an ALUMINIUM alloy heat exchanger

IMPORTANT.

The application of any other treatment to this product may render the guarantee of Caradon Ideal Limited invalid.

Caradon Ideal Limited recommend Water Treatment in accordance with the Benchmark Guidance Notes on Water Treatment in Central Heating Systems. Caradon Ideal Limited recommend only the use of FERNOX-COPAL or MB1, GE BETZ SENTINEL X100 or Salamander Corrosion Guard inhibitors and associated water treatment products, which must be used in accordance with the manufacturers' instructions.

Domestic Hot water

In hard water areas where main water can exceed 200ppm Total Hardness (as defined by BS 7593:1993 Table 2) a scale reducing device should be fitted into the boiler cold supply within the requirements of the local water company. The use of artificially softened water, however, is not permitted.

Caradon Ideal Limited recommend the use of Fernox Qantomat, GE Betz Sentinel Combiguard and Calmag CalPhos I scale reducing devices, which must be used in accordance with the manufacturers' instructions.
For further information contact:

Fernox Manufacturing Co. Ltd.
Cookson Electronics
Forsyth Road
Sheerwater Woking
Surrey GU21 5RZ
+44 (0) 1799 521133

GE Betz Ltd.
Sentinal Division
Foundry Lane
Widnes
Cheshire WA8 8UD
Tel: +44 (0) 151 4245351

Salamander Engineering Ltd
Unit 24
Reddicap Trading Estate
Sutton Coldfield
West Midlands B75 7BU
Tel: +44 (0) 121 3780952

Calmag Ltd.
Tower View
Calton Road Keighley
West Yorkshire BD21 4UT
Tel: +44 (0) 1535 210 320

Notes.

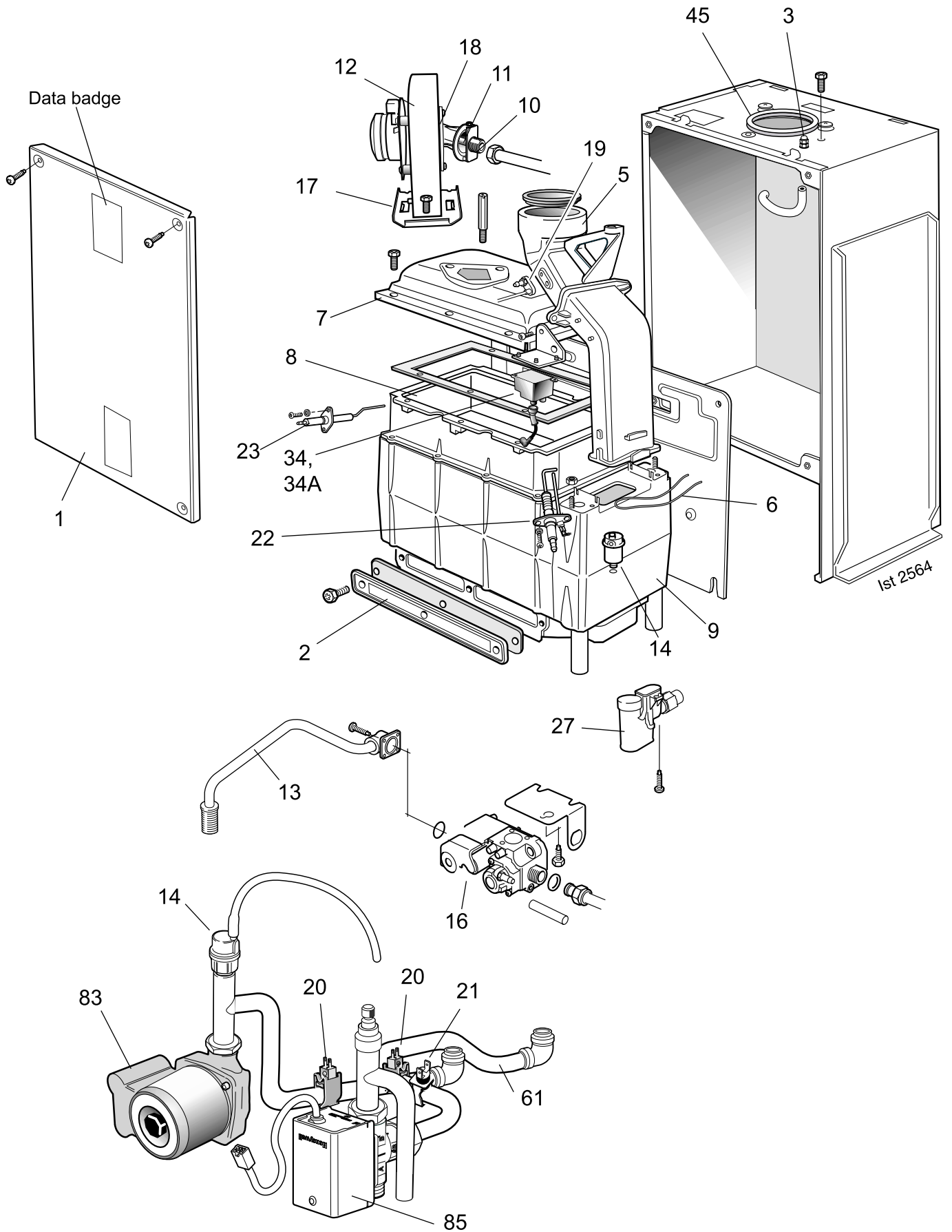
1. It is most important that the correct concentration of the water treatment product is maintained in accordance with the manufacturers' instructions.
2. If the boiler is installed in an existing system any unsuitable additives *MUST* be removed by thorough cleansing. BS. 7593:1992 details the steps necessary to clean a domestic central heating system.
3. In hard water areas, treatment to prevent lime scale may be necessary - however, the use of artificially softened water is *NOT* permitted.
4. Under no circumstances should the boiler be fired before the system has been thoroughly flushed.

10 BOILER ASSEMBLY - Exploded View - Legend for Frames 11 & 12.

- | | | |
|-----------------------------------|-----------------------------------|----------------------------|
| 1. Case sealing panel. | 20. Thermistor (control/return) | 93. Tundish assy. |
| 2. Sump cover plate. | 21. Overheat thermostat. | 95. Filling loop. |
| 3. Flue sensing nipple. | 22. Ignition electrode. | 101. Pressure gauge. |
| 5. Flue manifold kit. | 23. Flame detection electrode. | 102. Fascia controls assy. |
| 6. Flue manifold fixing. | 27. 'S' trap. | |
| 8. Combustion chamber insulation. | 29. User controls. | |
| 9. Heat engine. | 33. Mains switch | |
| 10. Injector & housing. | 37. Prepipng frame. | |
| 11. Venturi kit. | 45. Turret gasket kit. | |
| 12. Fan assembly. | 77. CH Flow pipe. | |
| 13. Gas valve inlet pipe. | 81. DHW Expansion vessel. | |
| 14. Auto air vent. | 82. CH Expansion vessel. | |
| 15. Gas cock. | 87. Pressure reducing valve | |
| 16. Gas valve. | 89. Thermostatic mixing valve. | |
| 17. Fan fixing kit. | 90. Temp & pressure relief valve. | |
| 18. Orifice plate kit. | 91. CH Pressure relief valve. | |
| 19. Flue thermistor | 92. DHW Pressure relief valve. | |

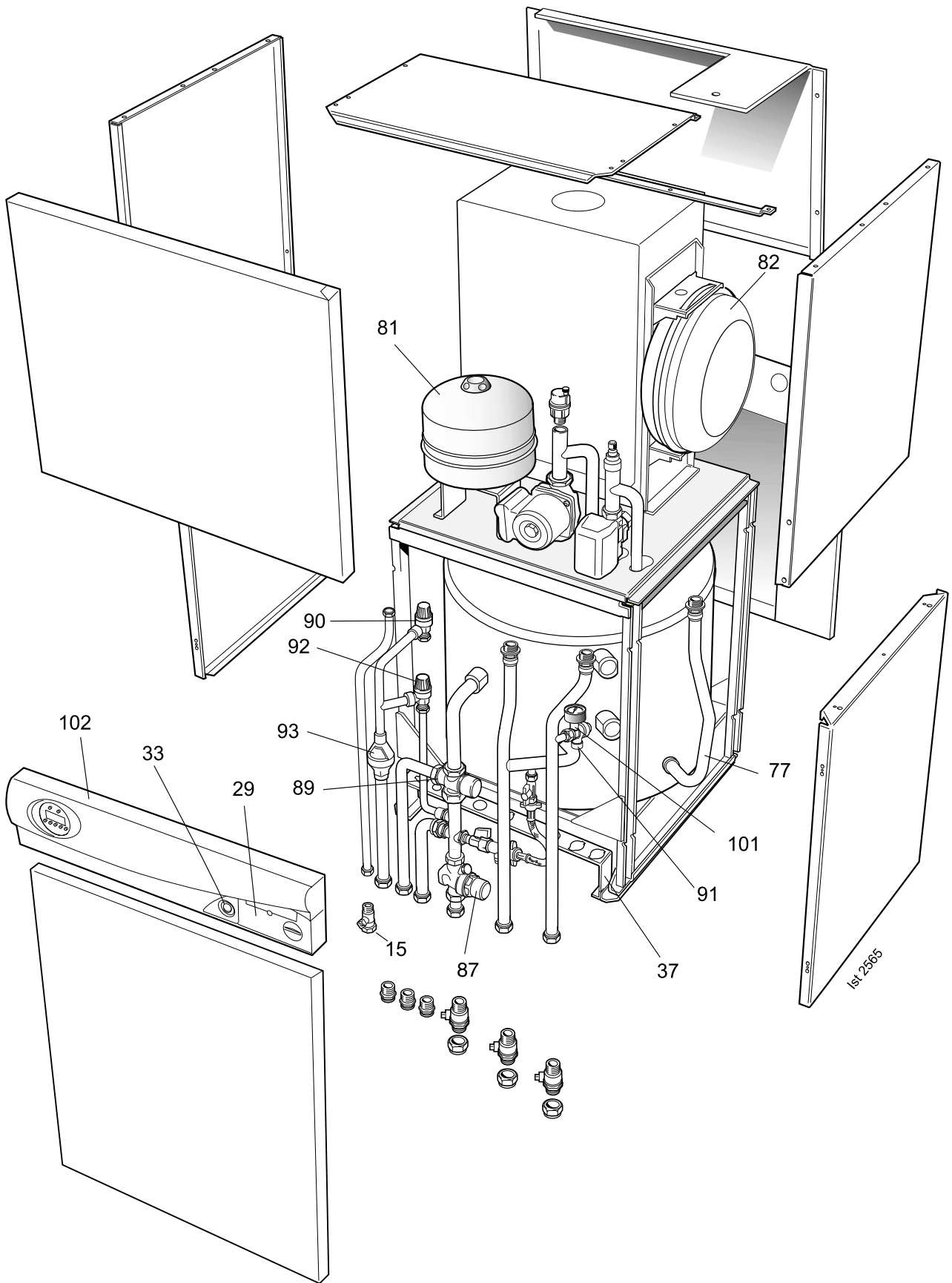
INSTALLATION

11 BOILER MODULE ASSEMBLY - Exploded View



INSTALLATION

12 TANK MODULE ASSEMBLY - Exploded View



INSTALLATION

13 BOILER PACKAGING AND REMOVAL

The boiler is supplied in two separate cartons. The tank module carton includes the pre-piping frame, the hardware pack, the floor template and the installations instructions.

The boiler module carton includes the controls fascia panel with integral programmer.

A standard flue assembly (if specified) for lengths up to 460mm, rear or side flue outlet, in Pack B.

Optional extras, If ordered, are available in separate boxes.

The tank module carton should be opened first and the prepiping frame removed. It is unnecessary to unpack the boiler module at this stage.

1. Ensure the tank module is stood correctly as marked on the carton.
2. Remove the strapping.
3. Fold back the top flaps to gain access to the instructions and the pre-piping frame.
4. Remove the instructions and read thoroughly.
5. Remove the floor template from the carton.
6. Unscrew the retaining screws and remove the pre-piping frame from the carton.

Note.

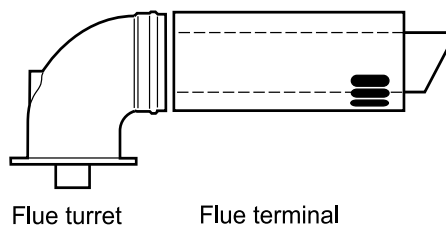
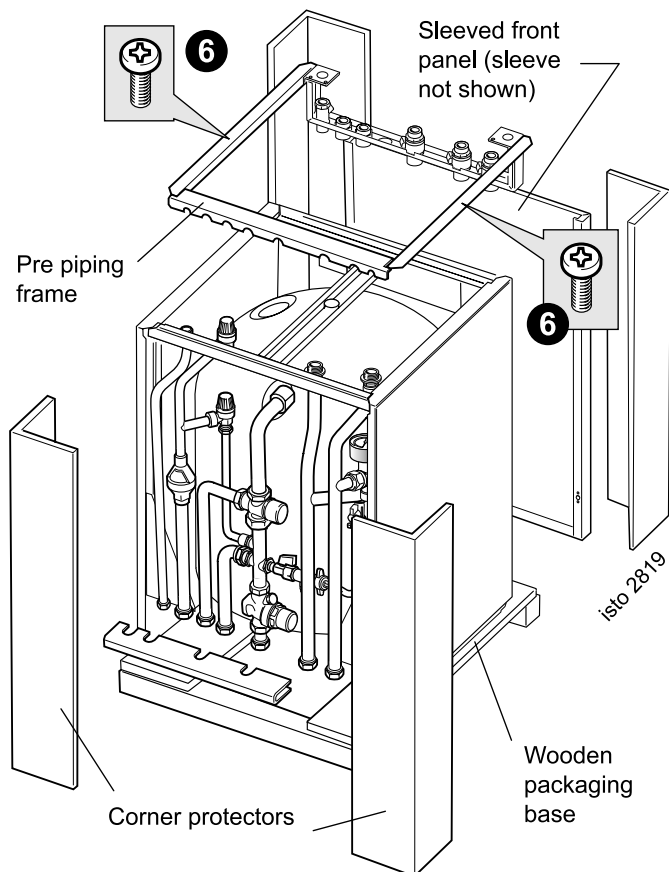
The appliance packaging may be left on for protection at this stage, while all service pipes are made to the pre-piping frame.

Hardware Pack

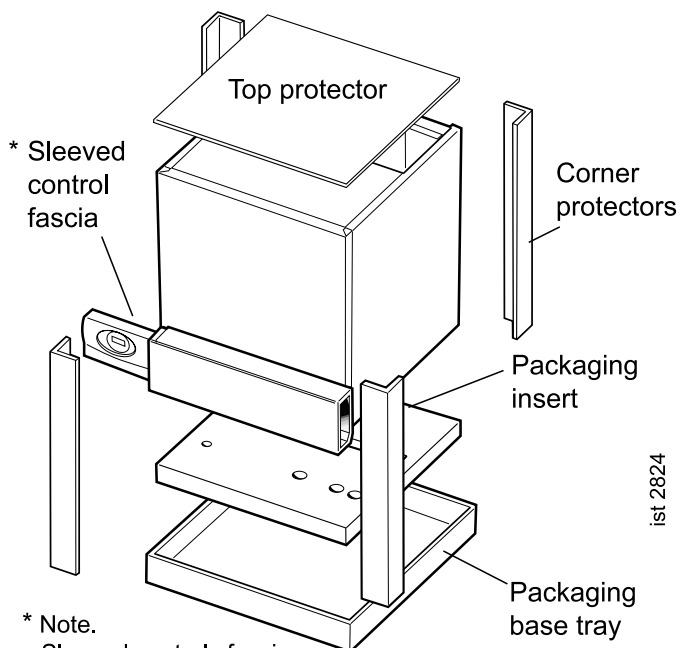
- Mains connector assembly - 1 off.
- CH pressure relief pipe - 1 off.
- 7/8" Fibre sealing washer -3 off.
- 1/2" Fibre sealing washer - 1 off.
- 700mm Condensate flexible hose - 1 off.
- 3/4" straight adapter (condensate) -1 off.
- 15mm olive -1 off.
- 15mm nut -1 off.
- Balanced cold feed assembly:
M28 nut - 1 off.
22mm olive - 1 off.
22mm bulkhead connector - 1 off.
22mm sealing washer - 1 off.
Securing clip for bulkhead connector - 1 off.
22mm pipe - 1 off.
- M5 x 6 screw (fascia fixing) - 2 off.
- M5 x 12 screw (securing boiler module) - 2 off.
- Hyco bush - 1 off.
- Turret clamp - 1 off.
- M5x10 screw (turret fixing) - 1 off.

Pack B Contents

- Flue turret.
- Flue terminal.
- Flue support cutting aid - 1 off.



Ecl 2354



ist 2824

INSTALLATION

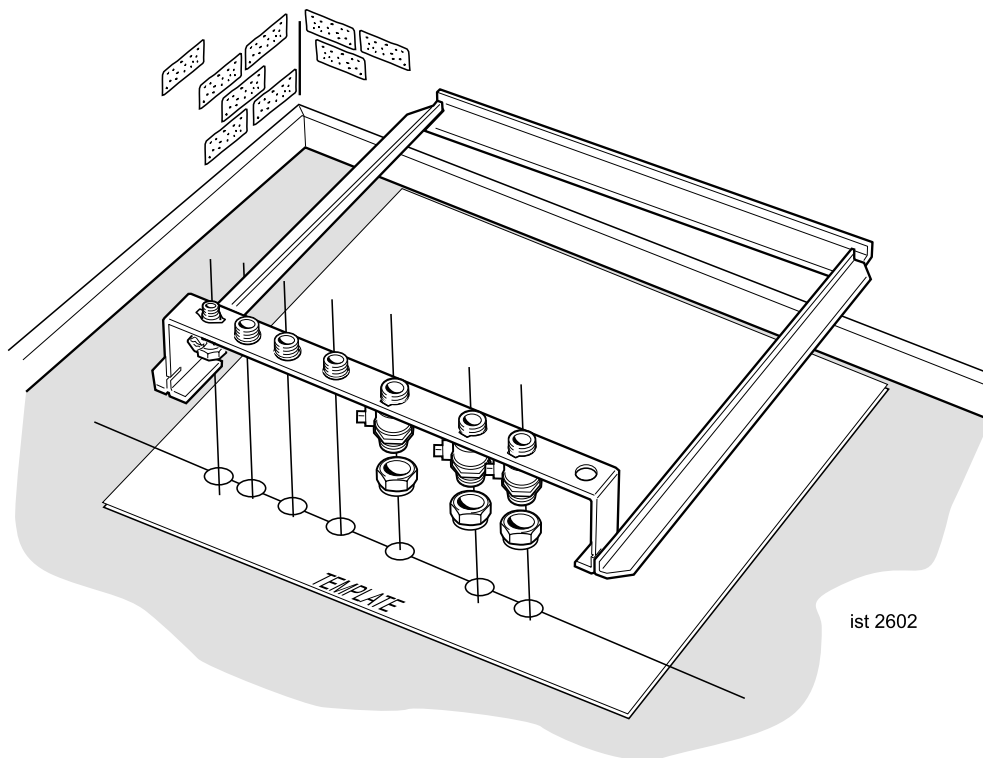
14 FITTING THE PRE-PIPING FRAME

1. Using the floor template mark the position of the appliance and the fixing holes for the pre-piping frame.
2. Fasten the pre-piping frame to the floor.

Using suitable fixing screws and plugs dependant on the floor material, fasten the pre-piping frame to the floor. Take care not to pierce any underfloor piping or electrical wiring.

Note.

Pipe runs to the service connections on the piping frame must be from the front, back or below, and not cross the side channels of the frame, where the appliance will slide on and stand.



15 WATER (DHW) CONNECTIONS

Domestic Hot Water Connections

Refer to the Note in Frame 14, for guidance.

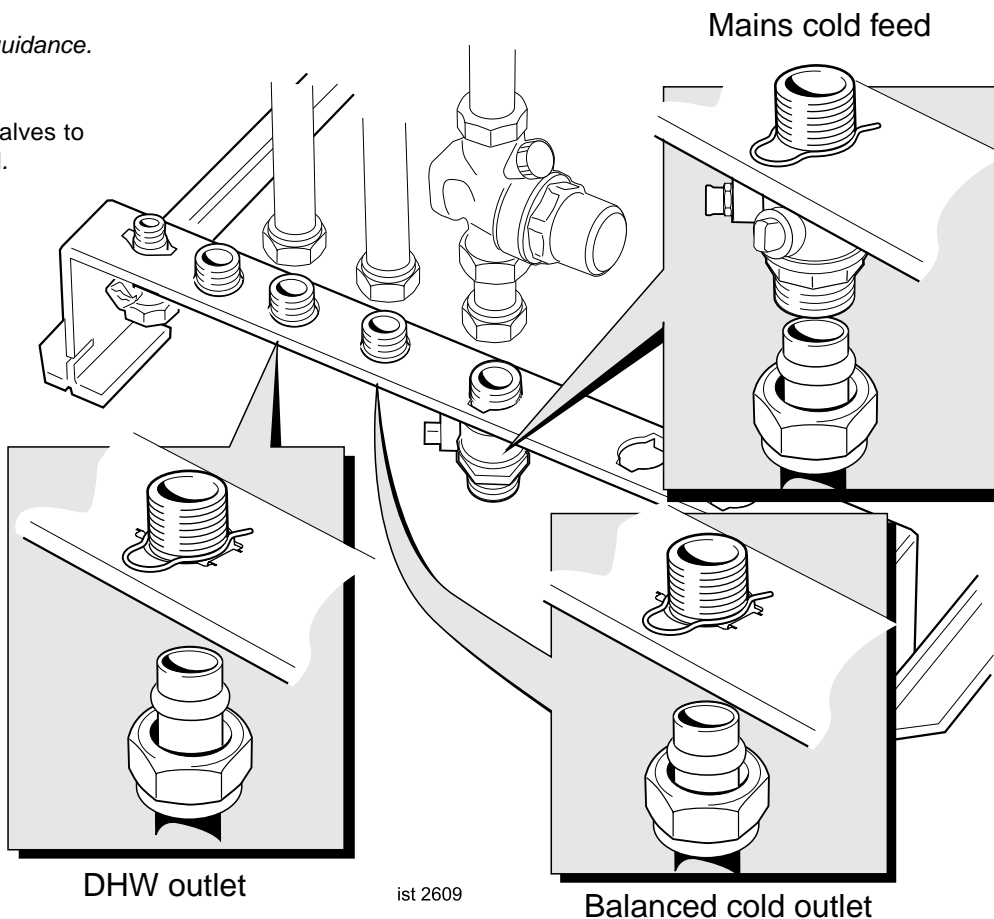
IMPORTANT

Do not subject any of the isolating valves to heat as the seals may be damaged.

As well as the DHW supply and hot water off-take pipes a pressure balanced cold water supply can be taken from the pre-piping frame at this stage but it **MUST** be fitted with a single check valve in a convenient location as near to the appliance as possible.

Note.

It is suggested that in order to obtain optimum performance from the appliance, all DHW pipework should be run in 22mm as far as is practicable.



INSTALLATION

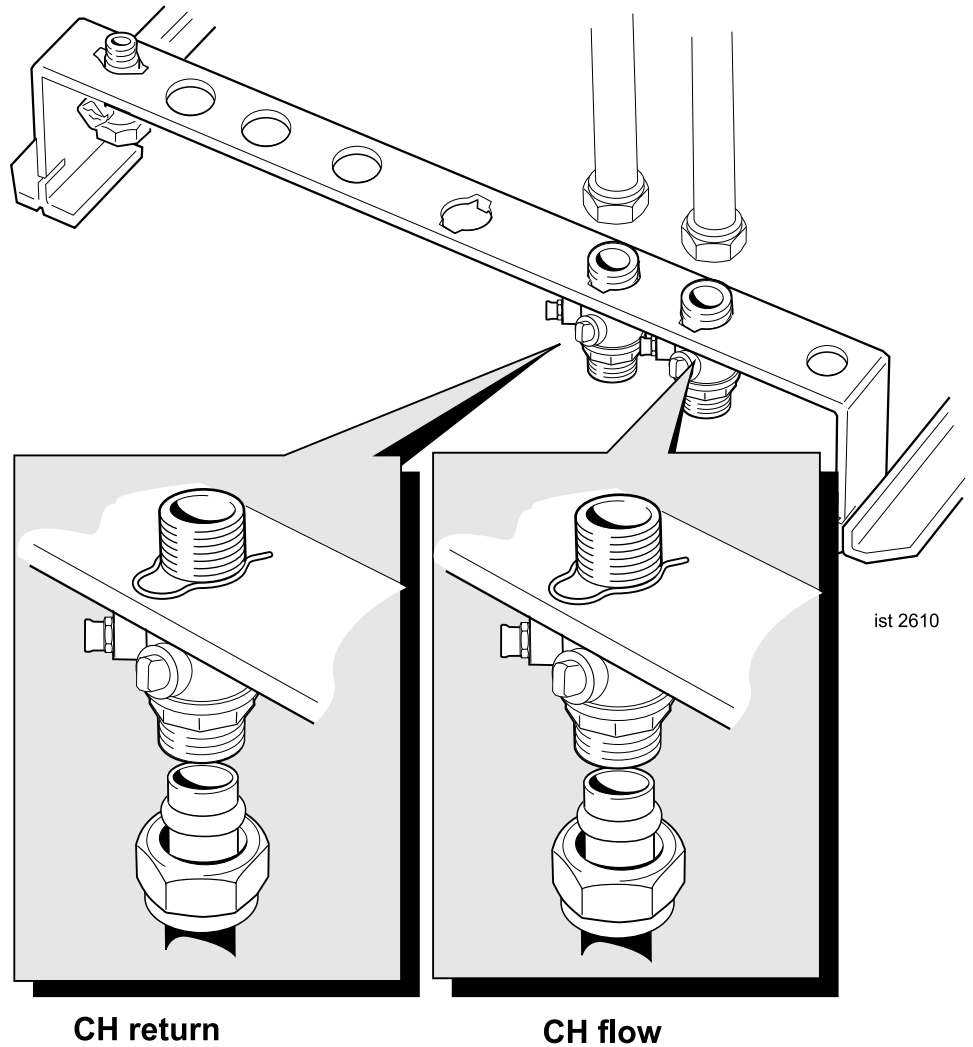
16 CH WATER CONNECTIONS

Central Heating connections

Refer to the Note in Frame 14 for guidance.

IMPORTANT

Do not subject any of the isolating valves to heat as the seals may be damaged.



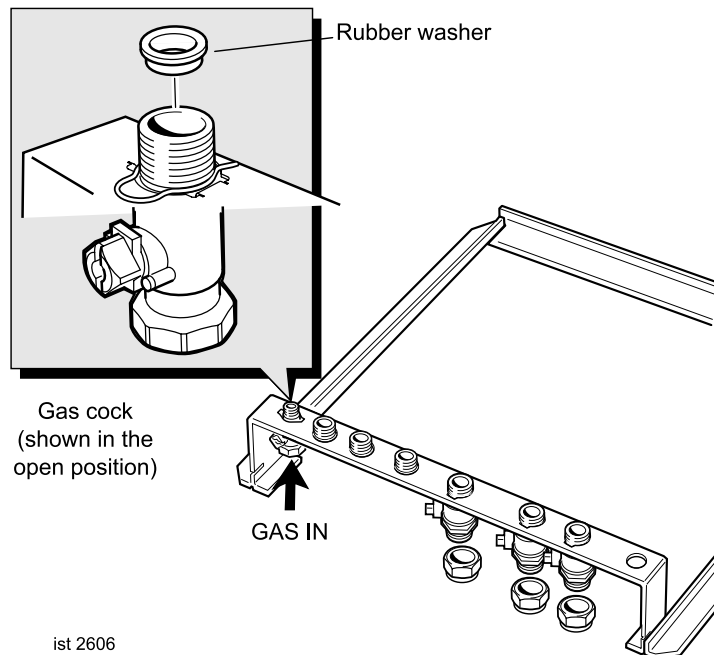
17 GAS CONNECTION

1. Extend a gas supply pipe of not less than 15mm O.D. copper to the boiler.

A working gas pressure of 20mbar (8" w.g) should be available at the boiler inlet, with the boiler firing at full DHW output.

IMPORTANT.

The gas service cock contains a non-metallic seal so must not be overheated when making capillary connections.

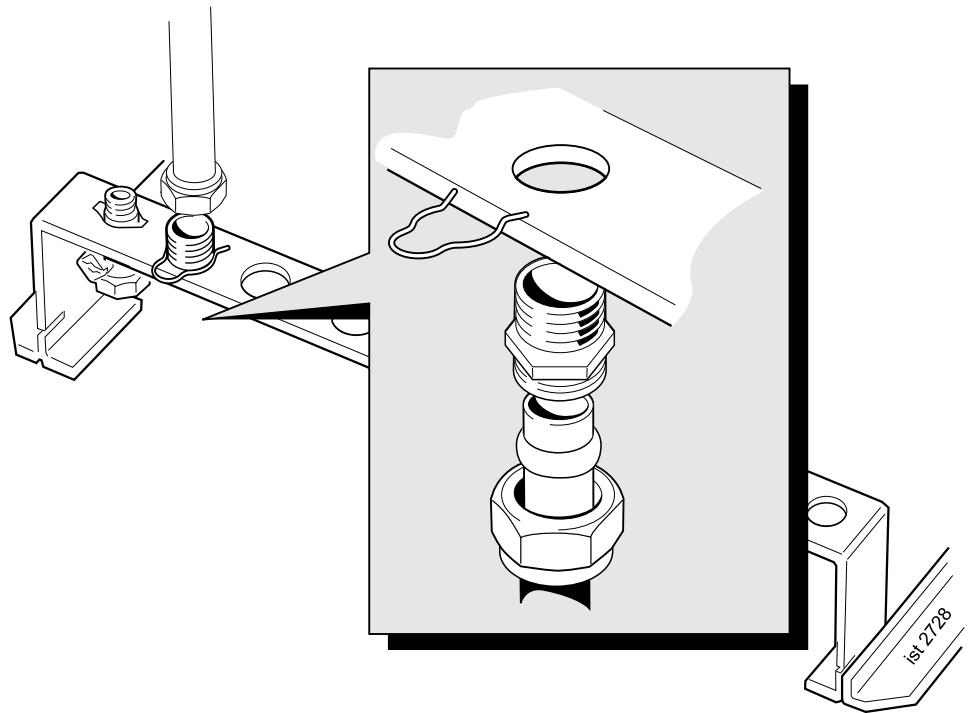


18 SAFETY VALVE DRAIN (DHW)

The discharge pipe should be positioned so that the discharge of water or steam cannot create a hazard to the occupants of the premises or damage the electrical components and wiring.

IMPORTANT.

The discharge pipe arrangement must comply with G3 Building Regulations. This is covered in Frames 6 and 7.

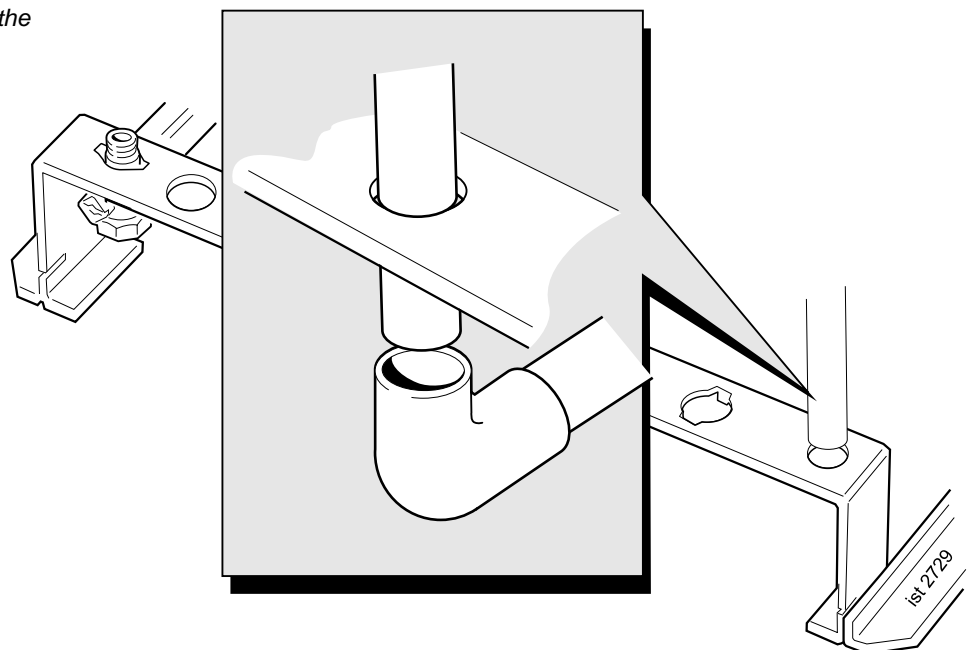


19 SAFETY VALVE DRAIN (CH)

A preformed 15mm is supplied in the hardware pack. This pipe connects to the safety valve, and projects through the RH hole in the pre-piping frame, for routing the drain under and away from the appliance.

Note.

The length of this pipe is suitable for the HE260 model. For the HE325 model 100mm should be cut off the longer section.



INSTALLATION

20 CONDENSATE DRAIN

The condensate drain connection point position is shown in the diagram below. A 700mm long flexible hose and adaptor is provided in the hardware pack for connection to this. It may be necessary to make provision to for connection to this, prior to moving the appliance into position.

Note.

A condensate pump kit is available for fitting outside of the appliance, if the minimum fall of 1 in 20 away from the boiler, throughout its length is not available. If fitting this kit refer to the installation instructions within the kit, otherwise follow the guidance below.

Refer also to the British Gas document: 'Guidance Notes for the Installation of Domestic Gas Condensing Boilers' (1989).

The condensate drain provided on the boiler must be connected to a drainage point, preferably within the building.

Ensure that the condensate trap is full of water before commissioning the boiler - refer to Frame 31.

The routing of the drain must be made to allow a minimum fall of 1 in 20 away from the boiler, throughout its length.

The drainage pipework must be arranged so that obstruction (e.g. through freezing) of external drainage pipe does not give rise to spillage within the dwelling.

IMPORTANT.

Any external runs must be insulated.

Excessive external pipe runs should be avoided in order to prevent possible freezing.

All pipework and fittings in the condensate drain system must be made of plastic. No other materials may be used.

The drain outlet on the boiler is standard 21.5mm overflow pipe. This size must not be reduced in any part of its length.

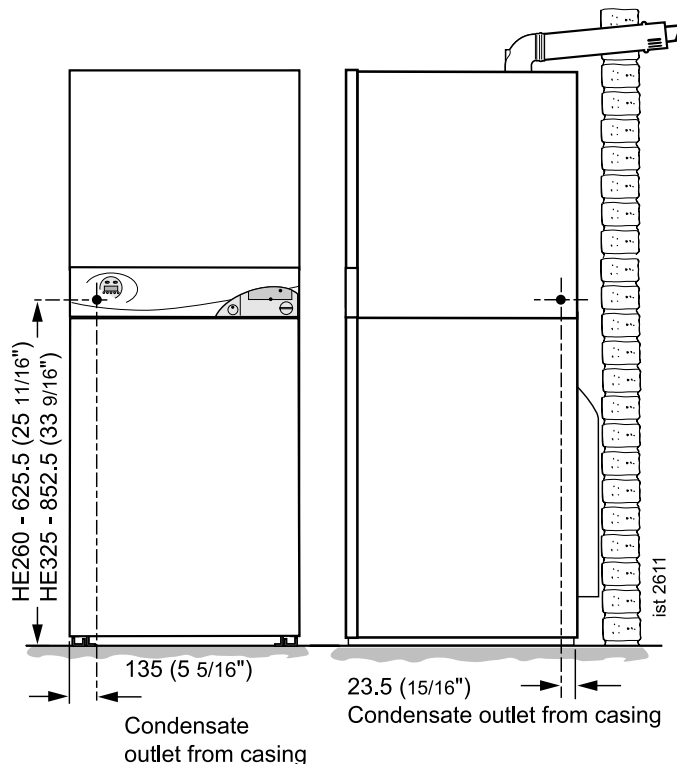
Any external pipework should be a minimum of 32mm internal diameter.

In order to defer the onset of freezing of the condensate drain

when the pipe is run externally the pipe should be run as far as possible within the building.

The boiler condensate drain connection is suitable for Marley 'Terrain' tubing.

A siphon kit is available to prevent freezing.



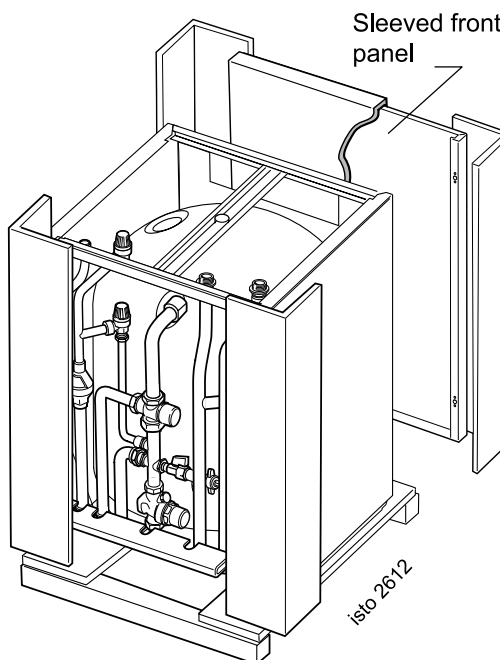
21 PACKAGING REMOVAL (TANK MODULE)

1. If the tank module is still packaged, lift out the sleeved front panel and store to one side to avoid damage.

Note.

Leave pipe nut protector in place to aid installation onto piping the frame.

2. Remove the packaging sleeve, corner protectors and front protector.
3. Remove two front screws securing tank module to the packaging base.
4. Slide module forward to free it from rear fixings.



INSTALLATION

22 TANK CONNECTION TO THE PIPING FRAME

General

Before moving the appliance onto the piping frame provision must be made for the condensate drain which may be easier before the boiler is moved into position. Refer to Frame 20.

1. Lift tank section over the piping frame and engage the rear of the base onto the runner of the piping frame.

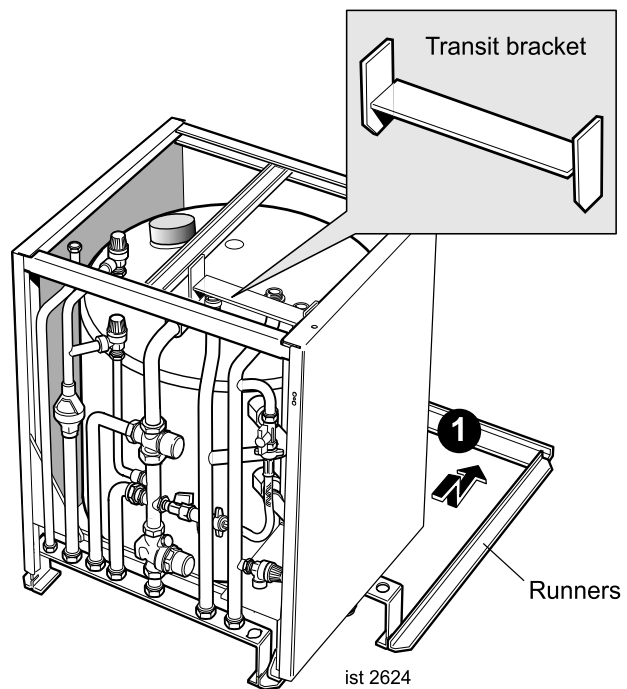
Note.

At this stage if the appliance is being fitted into a cupboard with limited access it may be advisable to attach the boiler module on top of the tank module prior to sliding into place. If so refer to frame 24 for attaching the boiler module.

2. Slide the tank backward until the stops on the frame are reached.
3. Remove the pipe nut protector from the cylinder module pipe nuts.
4. The pipes can now be connected to the piping frame once the transit bracket is removed (see illustration).

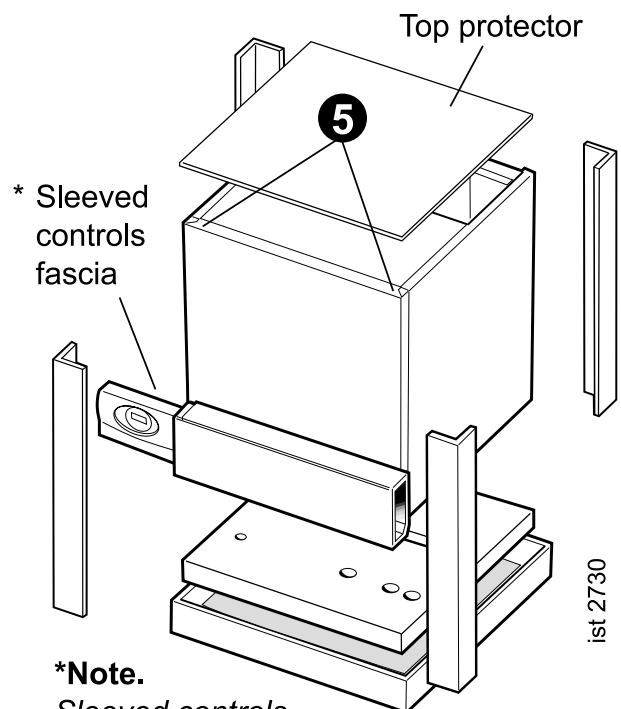
Note.

If the pressure balanced cold water supply is to be fitted then the pipe supplied in the hardware pack should be fitted between the inlet manifold and the piping frame. A non-return check valve **MUST** be fitted on supply to prevent back feed into the cylinder.



23 BOILER MODULE PACKAGING AND REMOVAL

1. Ensure the boiler module is stood correctly as marked on the carton.
2. Remove the strapping.
3. Fold back the top flaps and remove the top protector.
4. Lift off the packaging sleeve and corner protection and discard.
5. Unscrew the 2 - M4 x 10 screws securing the front panel and remove to one side to avoid damage.
6. Remove the controls fascia box and store to one side to avoid damage.



*Note.

Sleeved controls fascia is inside boiler module.

INSTALLATION

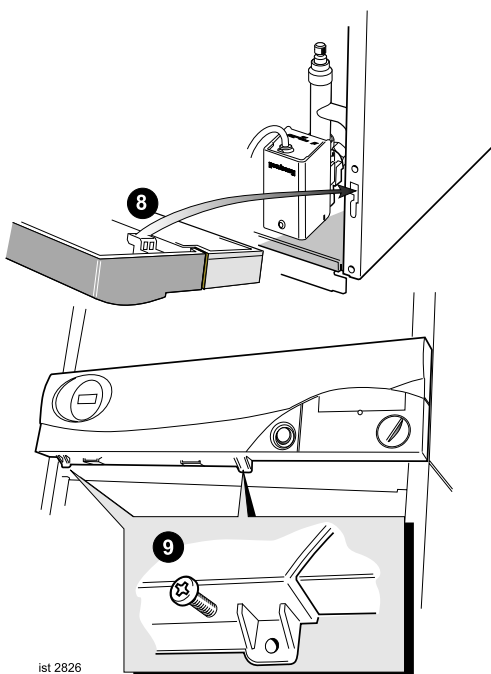
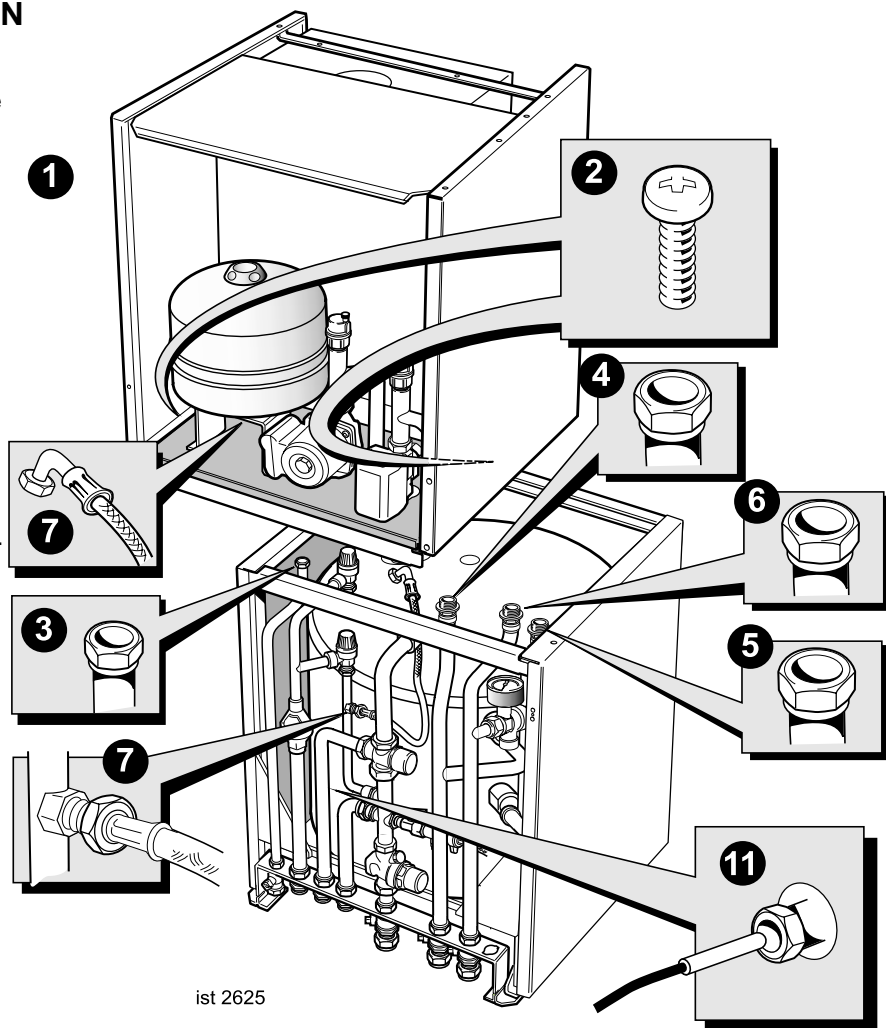
24 BOILER UNIT CONNECTION

General

The gas pipe is tied to the DHW safety valve drain.

It is suggested that all pipes are connected to the pre-piping frame before boiler connections are made.

1. Lift boiler unit onto the tank frame.
2. Connect the 2 - M5x12 screws connecting the 2 units together.
3. Connect the gas pipe to the bottom of the boiler.
4. Connect the CH flow return pipe to the union.
5. Connect the DHW flow pipe to the union.
6. Connect the CH flow pipe to the union.
7. Connect the flexible hose to the DHW expansion vessel.



8. Fit the controls fascia panel by locating the two lugs on the panel into the slots on the boiler unit.
9. Secure the panel with the 2 - M5x6 screws provided.
10. Connect the 14 way in-line molex connection on the fascia panel to the wiring harness

IMPORTANT.

Care must be taken when assembling this molex connector to ensure the connections are fully home and located.

11. Insert the DHW sensor into the pocket on the cylinder. Push fully home and secure with the Heyco bush provided in the hardware pack.

25 FLUE SYSTEM

This appliance is suitable for use with the following flue system.

1. 100mm Concentric flue system (supplied as standard). Refer to Frame 3.
2. 80-80mm Twin flue system. Refer to Frame 4.
3. 60-60mm Twin flue system. Refer to Frame 4.
4. Powered Vertical Flue kit. Refer to Frame 3
5. Roof Flue kit. Refer to Frame 3

Details of each individual flue system is found in the installation manual for that particular system. Below is outline details of the 100mm concentric system.

INSTALLATION

26 DETERMINING THE FLUE LENGTH AND FLUE PACKS REQUIRED For the 100mm concentric flue system

Dimension X - Wall thickness.

Dimension L - Wall thickness plus boiler spacing.

Dimension R - Wall thickness plus boiler spacing.

FLUE KITS

Pack B - supplied as standard

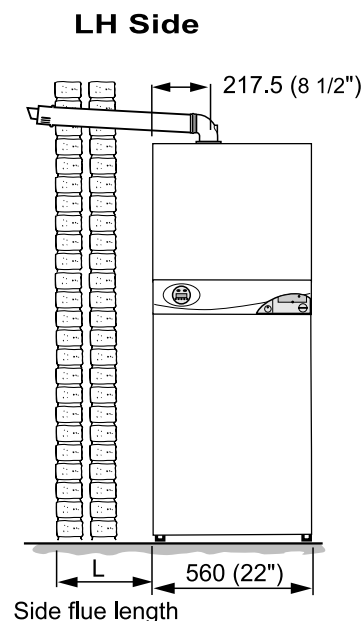
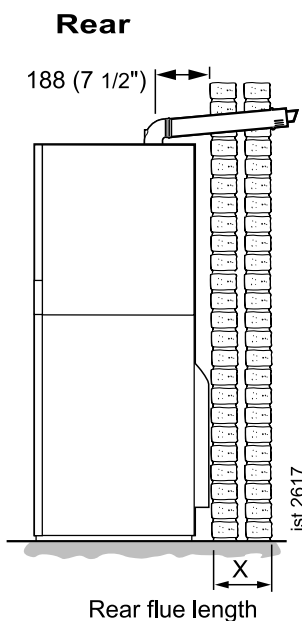
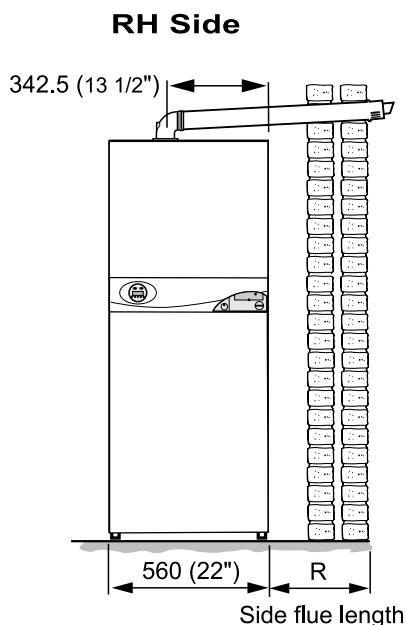
Pack D - optional extension kit for side flue or rear flue outlet.

Refer to 'Flue Extension Ducts'

Note.

The flue duct **MUST** be inclined at 1.5 degrees to the horizontal to allow condensate to drain back into the boiler and out through the condensate drain.

Total Flue length dimension			Flue
Rear flue dim. X+188	LH Side flue dim. L+217.5	RH Side flue dim. R+342.5	Extra packs required
Up to 650 mm	Up to 650 mm	Up to 650 mm	none
Up to 1600 mm	Up to 1600 mm	Up to 1600 mm	Pack D - 1 off
Up to 2550 mm	Up to 2550 mm	Up to 2550 mm	Pack D - 2 off
Up to 3500 mm	Up to 3500 mm	Up to 3500 mm	Pack D - 3 off
Up to 4450 mm	Up to 4450 mm	Up to 4450 mm	Pack D - 4 off
Up to 5400 mm	Up to 5400 mm	Up to 5400 mm	Pack D - 5 off
Up to 6000 mm	Up to 6000 mm	Up to 6000 mm	Pack D - 6 off



27 FLUE ASSEMBLY - Exploded View

1. An optional flue duct extension kit is required for flue lengths greater than :

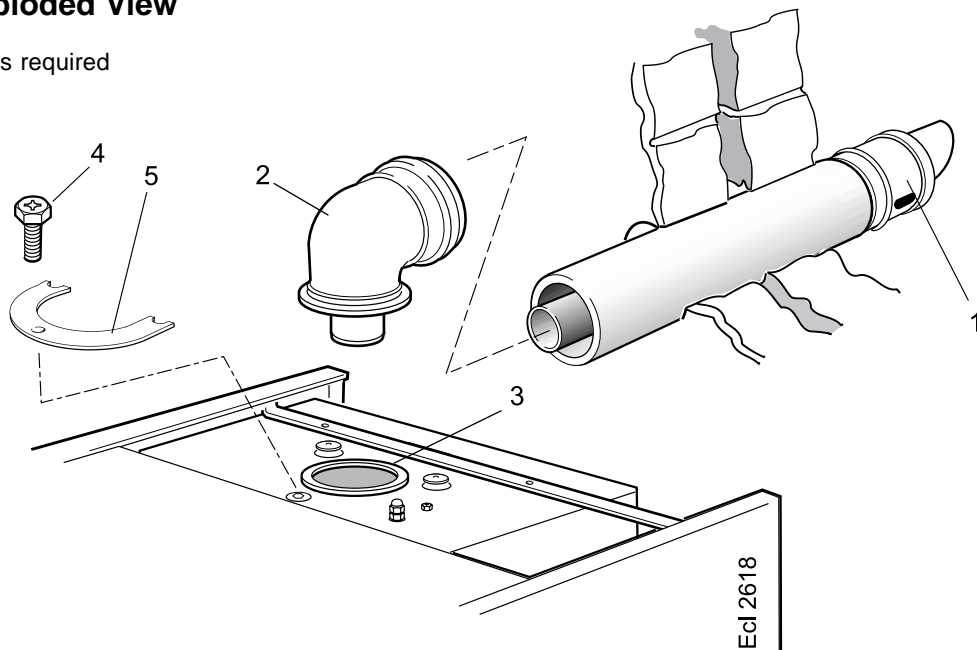
RH Side 650mm (25 9/16").

LH Side 650mm (25 9/16").

Rear 650mm (25 9/16").

LEGEND

1. Duct assembly.
2. Flue Turret.
3. Turret seal.
4. M5 x 10 pozi screw.
5. Turret clamp.



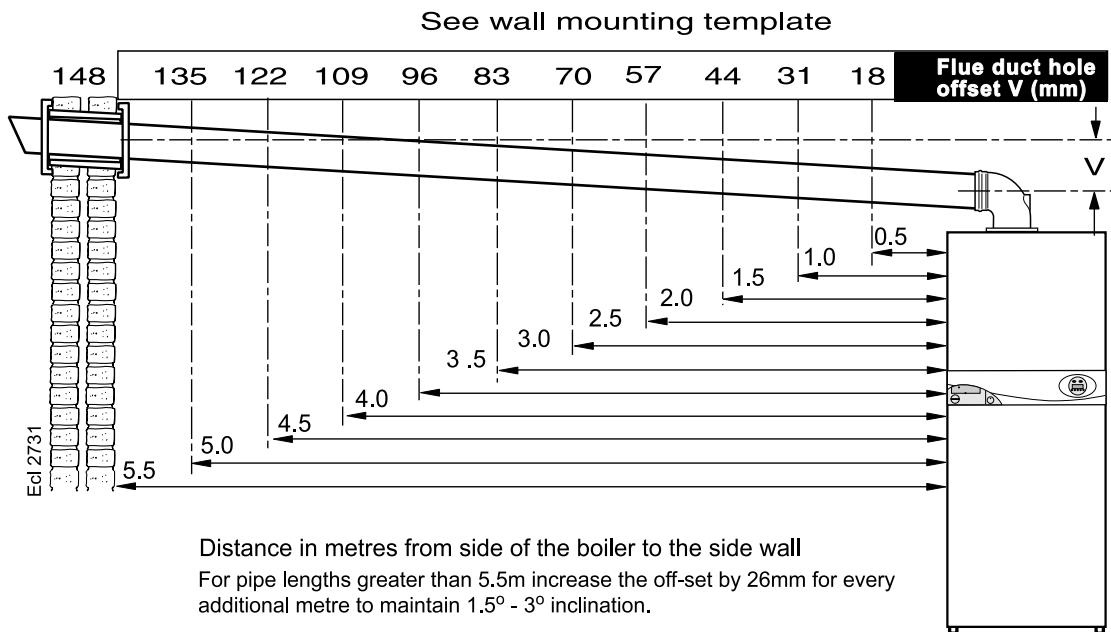
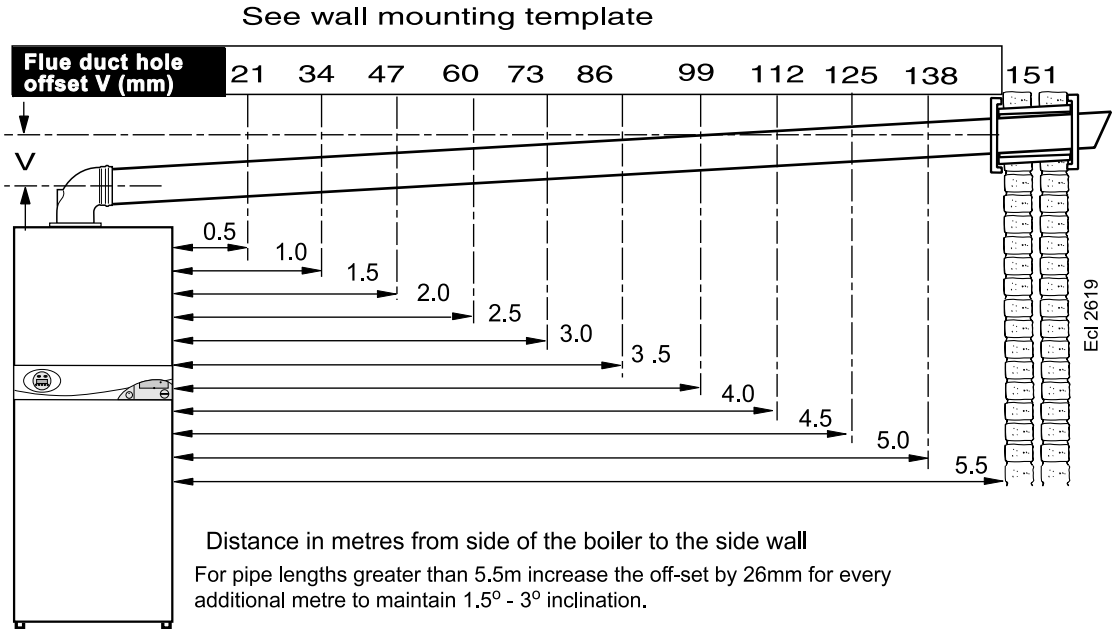
Rear flue arrangement shown

INSTALLATION

28 PREPARING THE WALL

WARNING. Ensure that, during the cutting operation, masonry falling outside of the building does not cause damage or personal injury.

1. Cut the flue hole (preferably with a 5" core boring tool), ensuring that the hole is square to the wall. Both wall faces immediately around the cut hole should be flat.



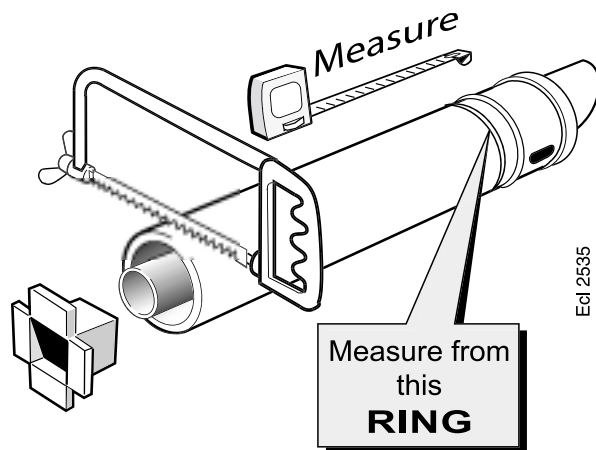
INSTALLATION

29 CUTTING THE FLUE - REAR

Note.

a. If using the extension ducts go to Frame 34.

1. Measure and note wall thickness X - Refer to Frame 26.
2. Add 188mm (7 1/2") to dimension X and, measuring from the ring, cut the outer tube only.
3. To ensure the tube is cut square, mark the flue all the way round. Use the cardboard support.
4. Cut the inner tube to a length 20mm (3/4") longer to aid engagement.



30 CUTTING THE FLUE - SIDE

Note. If using the extension ducts go to Frame 34.

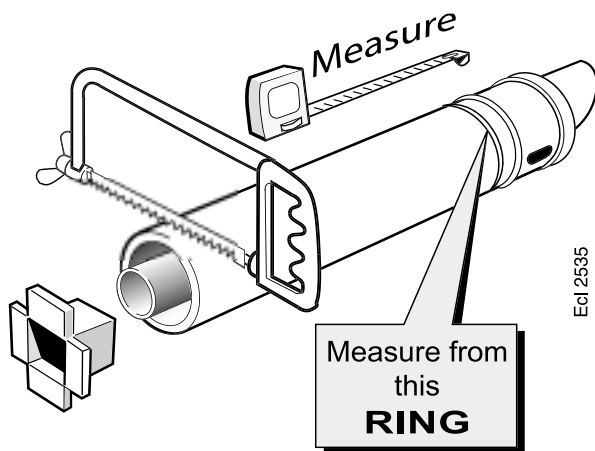
1. Measure and note side flue length L or R. Refer to Frame 26.

For RH side

2. Add 342.5mm (13 1/2") to dimension R and, measuring from the ring, cut the outer tube only.

For LH side

3. Add 217.5mm (8 1/2") to dimension L and, measuring from the ring, cut the outer tube only.
4. To ensure the tube is cut square, mark the flue all the way round. Use the cardboard support.
5. Cut the inner tube to a length 20mm (3/4") longer to aid engagement.



31 CONNECTING THE FLUE TO THE BOILER

Note.

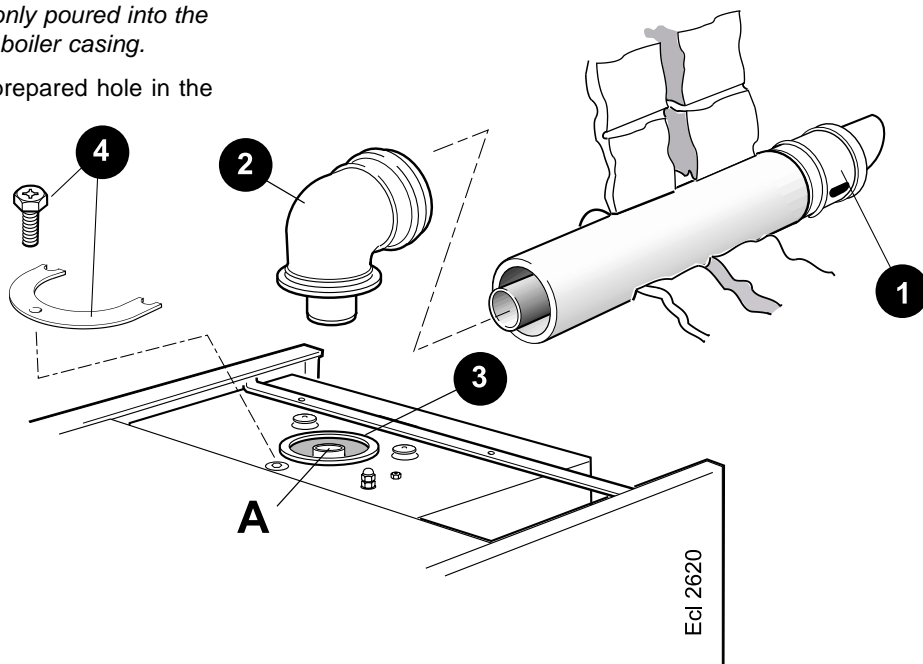
a. BEFORE fitting the flue turret, fill the condensate trap within the boiler by pouring a cupful of water into the flue outlet A.

b. Take care to ensure that the water is only poured into the flue outlet, and does not spill into the boiler casing.

1. Insert the flue assembly through the prepared hole in the wall.
2. Fit the flue turret on the top of the boiler ensuring that the seal is in place, and that the flue outlet seal at A is correctly located.
3. Locate the flue into the turret.
4. Secure the flue turret on top of the boiler by inserting the open ends of the turret clamp under the 2 studs and fixing it in the middle with the single M5 x 10mm pozi-hex screw provided.

5. Flues over 1 metre long.

Fix the flue support bracket to the wall, using the wall plug and wood screw. For standard installations use the short wood screw.



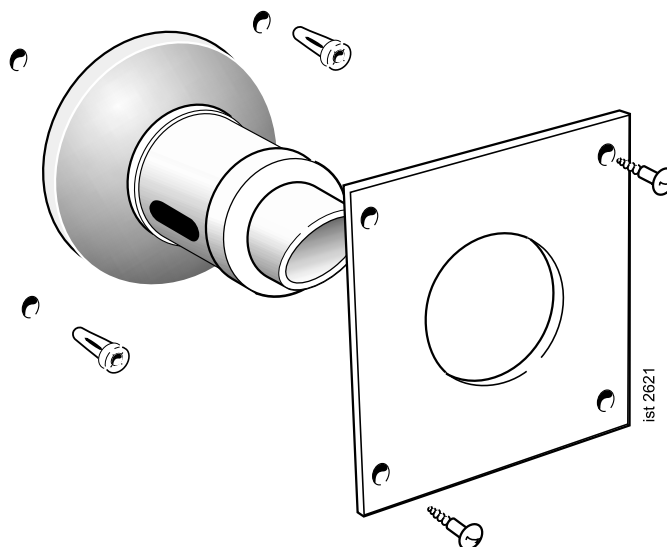
INSTALLATION

32 TERMINAL WALL PLATE (optional)

This plate is supplied in the Flue Finishing Kit (together with one inner and one outer flue seal) it allows neat concealment and full compression of the outer seal (if fitted). Its use is not essential if the flue hole and flue ducts have been accurately cut and the outside wall face is flat.

1. Position the terminal wall plate over the terminal.
2. Drill 4 fixing holes with a 7mm (1/4") masonry drill.
3. Insert the 4 plastic plugs provided.
4. Secure the plate with 4 of the No.10 x 2" screws provided.

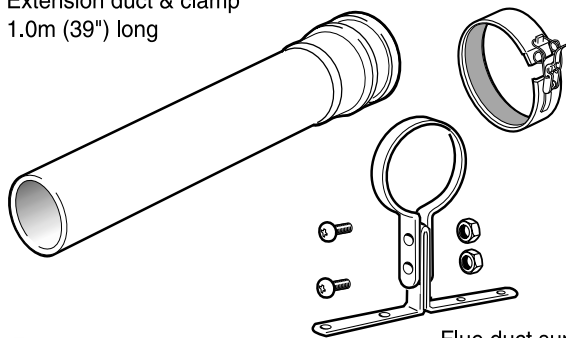
Note. If the terminal is less than 2m (6' 6") above ground level, an approved terminal guard should be fitted. Refer to the Flue Installation, Page 8.



33 FLUE EXTENSION DUCTS - For flue lengths greater than 650mm

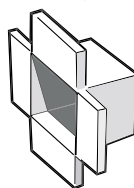
Pack D Flue extension duct kit contents.

Extension duct & clamp
1.0m (39") long

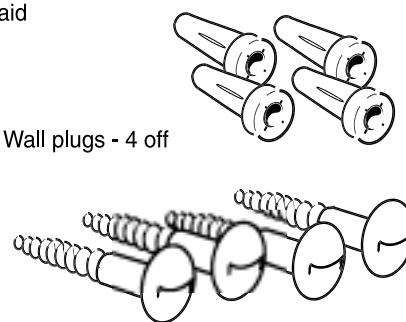


Flue duct support

Flue support cutting aid
(shown folded up)



Wall plugs - 4 off



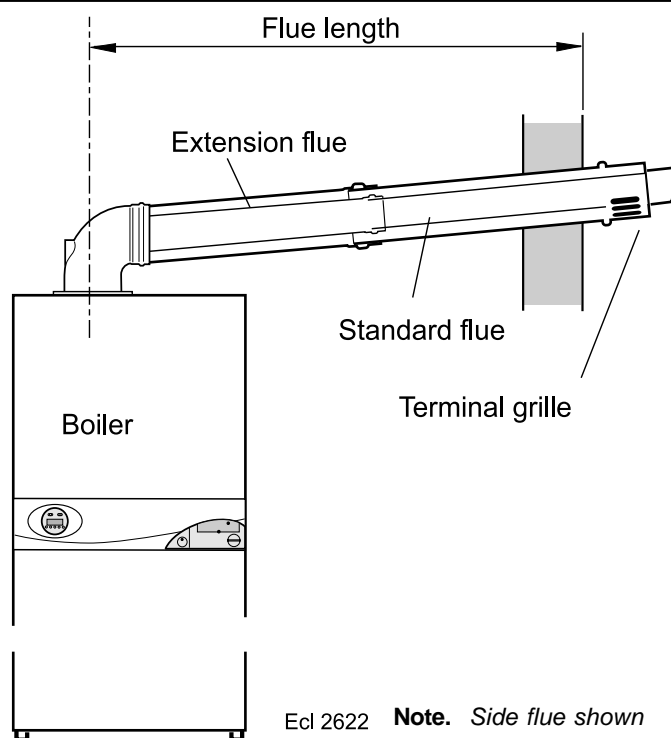
No. 10 x2" wood screw - 4 off

34 FLUE EXTENSION DUCTS - continued

Use a maximum of 6m extended flue ONLY

General arrangement

1. A **maximum** of 6 extension ducts (one suitably cut) plus the standard flue duct may be used together.
2. Flue extensions of greater length than 1m (39") should be supported with the bracket provided, suitably adjusted - refer to Frame 21.

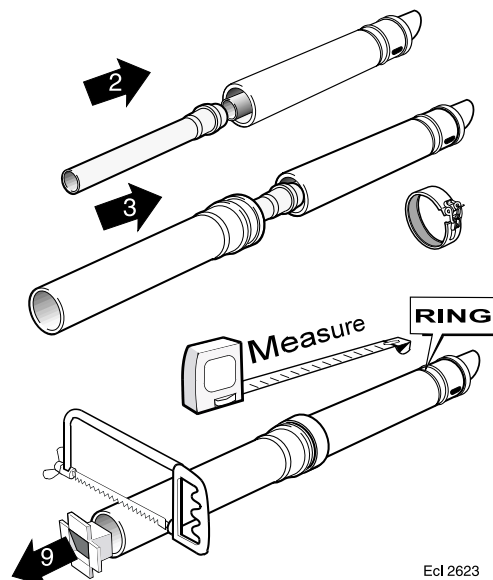


Ecl 2622 **Note.** Side flue shown

INSTALLATION

35 FITTING THE KIT

1. Remove the cardboard support aid from the flue and place safely to one side.
2. Fit the inner flue extension duct onto the inner flue duct.
3. Fit the outer flue extension duct onto the outer air duct.
4. Using the clamp provided clamp the flue lengths together.
5. Repeat steps 1-4 if a second flue extension is required.
6. Measure and mark the flue length required onto the flue, measuring from the ring near the terminal.
7. To ensure a square cut, mark the flue all the way round.
8. Cut to length using the cardboard support aid.
9. Remove the cardboard off-cut and deburr the metal edges.



Ecl 2623

36 FILLING

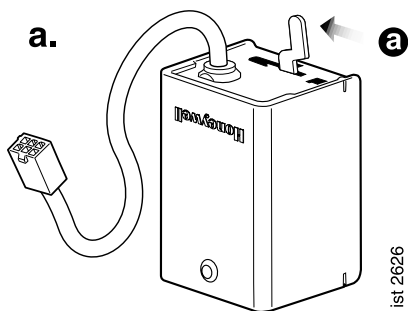
Central Heating

Refer to system requirements Frame 5.

1. Remove the boiler sealing panel. Refer to Frame 53.
2. Ensure that the CH isolating valves are open.
3. Fill and vent the system. Check for water soundness.

IMPORTANT - when filling:

- a. Move lever on valve across to the manual position (mid position) for filling.
- b. The cap on the automatic air vent (refer to Frame 72) MUST be loose at all times.



ist 2626

When filling, there may be a slight water leak from the vent therefore electrical connections should be protected.

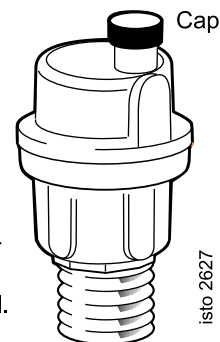
- c. Open manual air vent above the diverter valve and bleed any air from the diverter valve.
- d. Bleed any air from the pump and ensure that it is free to rotate.
 - i. Remove the vent plug
 - ii. Using a screwdriver, rotate the shaft several times
 - iii. Replace the vent plug.

Note. Some slight water leakage will occur.

Domestic Hot Water

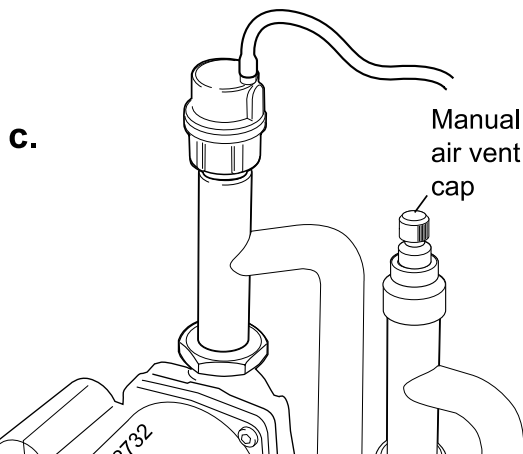
1. Fully open all DHW taps and ensure that water flows freely from them.
2. Close all taps except the one furthest from the boiler.
3. Turn off the DHW tap.

- b. Automatic air vent

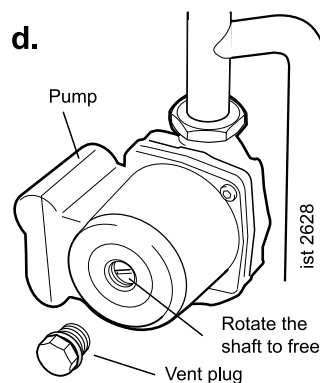


Fitted on the heat exchanger behind the boiler sealing panel.

isto 2627



ist 2628



ist 2628

INSTALLATION

37 ELECTRICAL CONNECTIONS

WARNING. This appliance MUST be earthed.

Boiler water connection

A mains supply of 230 V ~ 50 Hz is required.

The fuse rating should be 3A.

Wiring external to the boiler MUST be in accordance with the current I.E.E. (BS7671) Wiring Regulations and any local regulations.

All external controls and wiring must be suitable for mains voltage.

Wiring should be 3 core PVC insulated cable, not less than 0.75 mm² (24 x 0.2mm), and to BS 6500 Table 16. For IE reference should be made to the current ETCI rules for electrical installations.

Connection must be made in a way that allows complete isolation of the electrical supply such as a double pole switch having a 3mm (1/8") contact separation in both poles, or a plug and socket, serving only the boiler and system controls. The means of isolation must be accessible to the user after installation.

Immersion heater

Note.

An immersion heater is supplied fitted to the cylinder and is intended for use as a back up heat source of DHW. Wiring of this immersion heater Must be completely separate from the boiler electrical connections.

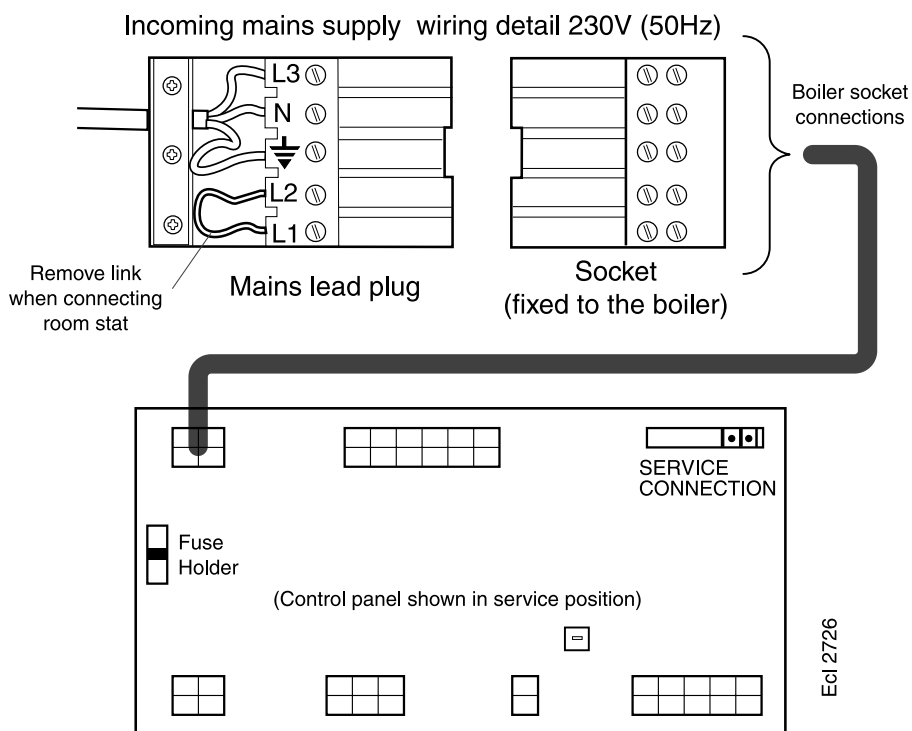
1. Wire the heater through a double-pole switch or controller, having contact separation of at least 3mm, using a cable size of at least 1.5sq. mm flexible cable, 85 deg.C rubber insulated HOFR Sheathed, complying with BS6141 Table 8. It MUST be fully earthed. Ensure all terminal connections are securely made. Do not however use excessive force when tightening terminals.
2. BEAB Approval will only to this heater if the following thermostats are used: Series AD, BD, CD. Control thermostat-Diamond HWT Series of Sunvic VKL Series. Resettable master thermostat-Sunvic Series VKL and Thermtec SK. Series AF, BF, CF. Thermowatt type RTS-3 thermostat.
3. In the event of the manually resettable cut-out operating, isolate the heater from the mains supply before removing the terminal cover. Investigate and identify the cause for the operation of this cut-out. Then rectify the fault before manually resetting the master thermostat, replace the terminal cover securely before re-energising the heater. If the fault re-occurs, replace the thermostats within the heater.

38 INTERNAL WIRING

1. Route the mains cable into the bottom rear centre of the boiler.
2. Wire the permanent live supply into the 5-way remote plug terminals, L3, N & $\frac{1}{2}$.

Note. Ensure that the lengths of the current carrying conductors are shorter than the earth conductor so that if the cable slips in its anchorage the current carrying conductors become taut before the earth conductor.

3. Wire any switched live supply into terminal L2.
4. Secure the mains lead with the cable clamp.
5. Reconnect the mains lead plug. Ensure it is fully located.



39 EXTERNAL ELECTRICAL CONTROLS

Wiring External to the Boiler

The fuse rating should be 3A.

Wiring external to the boiler MUST be in accordance with the current I.E.E. (BS.7671) Wiring Regulations and any local regulations. For IE reference should be made to the current ETCI rules for electrical installations.

Room Thermostat

If the thermostat has a neutral connection, use it (it provides for more energy efficient operation by reducing switching temperature differentials).

Frost Protection

If parts of the pipework run outside the house or if the boiler will be left off for more than a day or so then a frost thermostat should be wired into the system.

The frost thermostat should be sited in a cold place but where it can sense heat from the system.

Note.

If the boiler is installed in a garage it may be necessary to fit a pipe thermostat, preferably on the return pipework.

Wiring should be as shown, with minimal disturbance to other wiring of the controls.

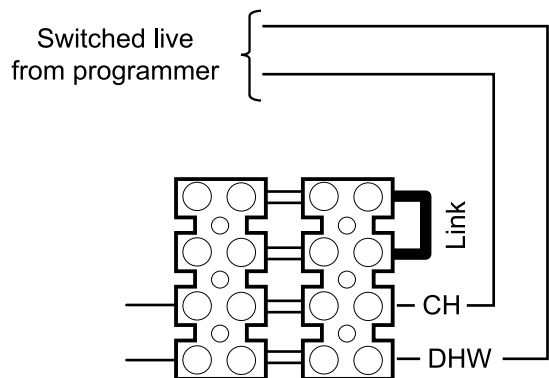
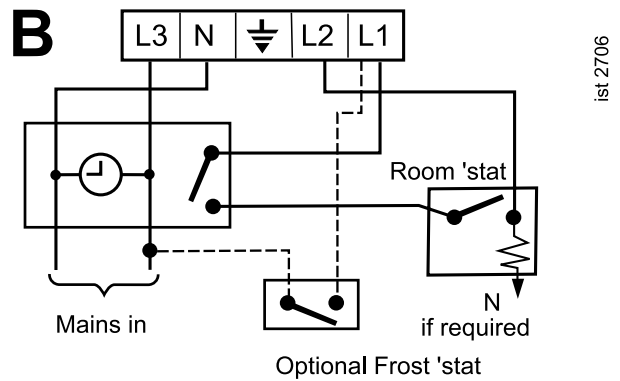
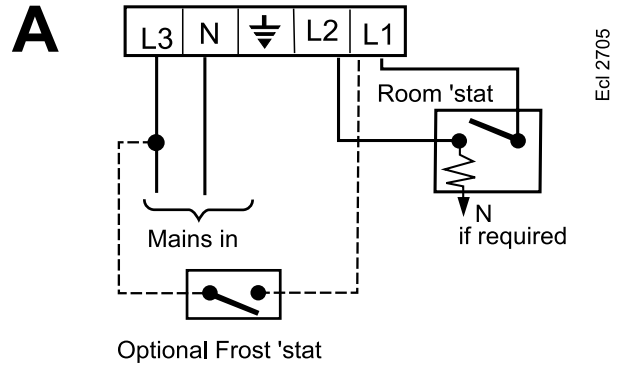
Designation of the terminals will vary but the programmer and thermostat manufacturers' leaflets will give full details.

Diagram A shows an application to boilers fitted with a room thermostat only.

Earths are not shown for clarity but must never be omitted.

External Programmer

If a remote programmer is used remove link and wire switched live outs from programmer into terminal block shown.

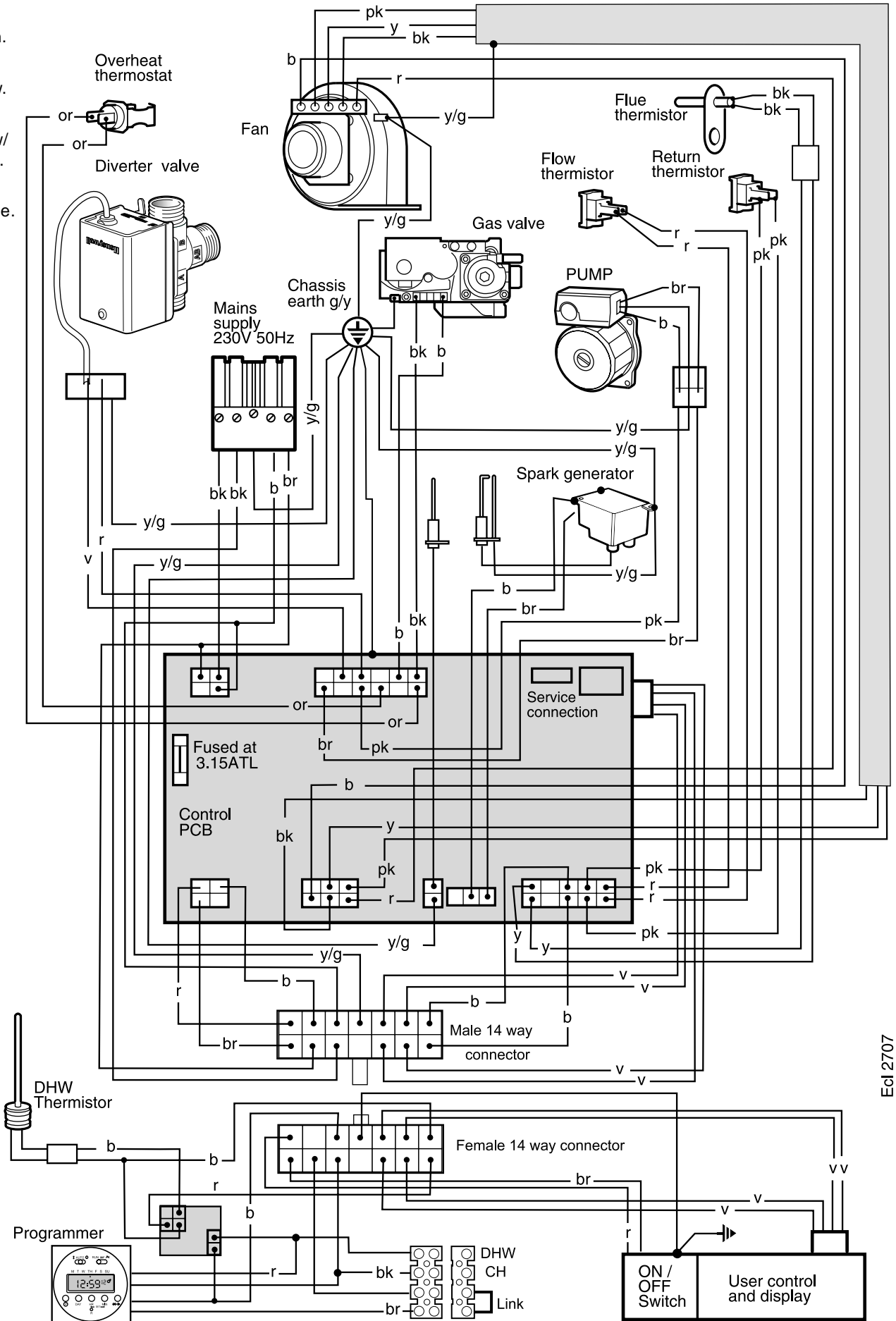


INSTALLATION

40 PICTORIAL WIRING DIAGRAM

LEGEND

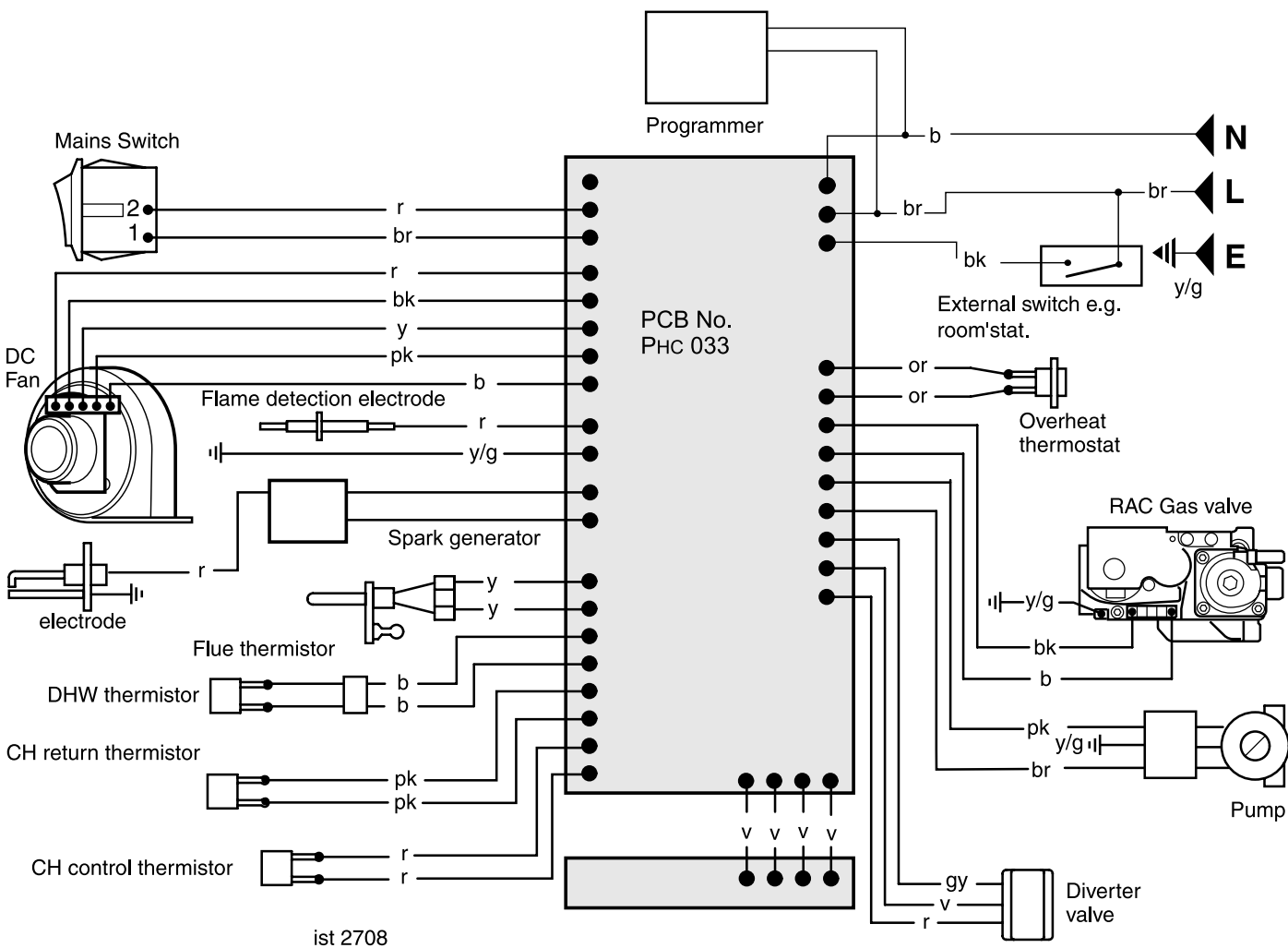
- b - blue.
- bk - black.
- br - brown.
- r - red.
- y - yellow.
- w - white.
- y/g - yellow/green.
- gy - grey.
- or - orange.
- v - violet



Ecl 2707

INSTALLATION

41 FUNCTIONAL FLOW WIRING DIAGRAM



LEGEND

b - blue	r - red	y/g - yellow/green	v - violet
bk - black	y - yellow	gy - grey	pk - pink
br - brown	w - white	or - orange	

42 COMMISSIONING AND TESTING

A. Electrical Installation

1. Checks to ensure electrical safety should be carried out by a competent person.
2. ALWAYS carry out the preliminary electrical system checks, i.e. earth continuity, polarity, resistance to earth and short circuit, using a suitable test meter.

B. Gas Installation

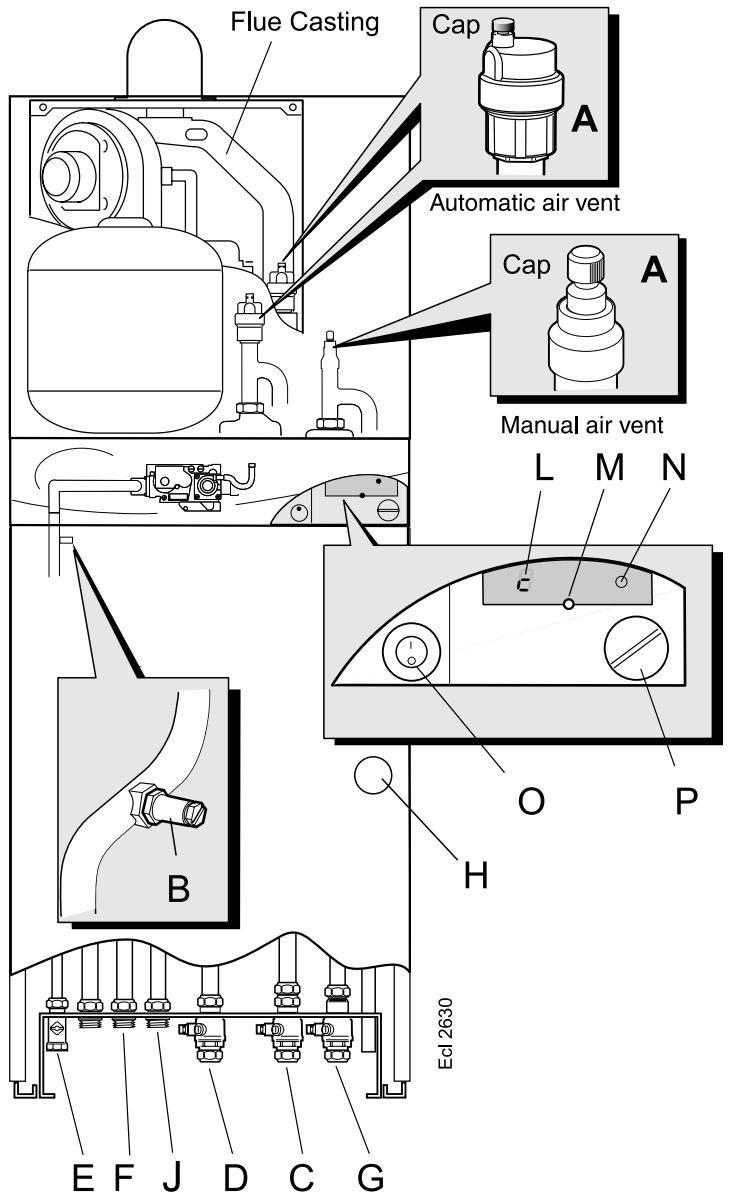
1. The whole of the gas installation, including the meter, should be inspected and tested for soundness and purged in accordance with the recommendations of BS. 6891. In IE refer to IS 813:2002.
2. Purge air from the gas installation by approved methods only.
3. Retighten the union and test for gas soundness.

WARNING. Whilst effecting the required gas soundness test and purging air from the gas installation, open all windows and doors, extinguish naked lights and **DO NOT SMOKE.**

43 INITIAL LIGHTING

LEGEND

- | | |
|---|--|
| <ul style="list-style-type: none"> A. Air vent. B. Inlet pressure test point. C. CH return isolating valve. D. Mains water inlet isolating valve. E. Gas service cock. F. DHW outlet. G. CH flow isolating valve. H. Pressure gauge. J. Balance cold outlet. | <ul style="list-style-type: none"> L. Display. M. Reset button. N. LED. O. Boiler On/Off switch. P. CH thermostat knob. |
|---|--|



1. Check that the system has been filled and that the boiler is not airlocked. Ensure the automatic air vent cap (A) is open.
2. Refit the boiler sealing panel. Refer to Frame 46.
3. Check that all the drain cocks are closed and that the CH and DHW isolating valves (C, D and G) are OPEN.
4. Check that the electrical supply is OFF.
5. Check that the boiler ON/OFF switch (O) is off.
6. Check that the gas service cock (E) is OPEN.
7. Slacken the screw in the inlet pressure test point (B) and connect a gas pressure gauge via a flexible tube.
8. Switch the electricity supply ON and check all external controls and the programmer are calling for heat. For setting the programmer refer to users instructions.

DOMESTIC HOT WATER

9. Set the boiler thermostat knob to maximum and set the boiler ON - OFF switch (O) to I. The boiler control should now go through its ignition sequence until the burner is established.
10. If the boiler does not light after 3 attempts the fault code $\underline{L} \underline{F}$ will be displayed, Press the reset button (M) and the boiler will repeat its ignition sequence.
11. On initial lighting the boiler will fire in DHW mode and continue to run with the display (L) showing status \underline{L} until the DHW tank is satisfied with a storage temp of 70°C

The display

The user control has one LED and one display to inform the user about the status. The display will show the status of the boiler. The LED will show the status of the flame. If no flame is detected the LED is blinking. When the flame is detected the LED will be lit permanently.

Below is a list with function of the display in normal operation.

- \square Standby, no demand for heat present.
- \underline{c} Boiler is active for central heating.
- \underline{L} Boiler is active for domestic hot water.
- \underline{H} Boiler is in lockout for a specific error, display will be blinking alternating with a number or letter to show what kind of error is detected.
- \underline{L} Boiler is in lockout for a specific error, display will be blinking alternating with a number or letter to show what kind of error is detected.

44 INITIAL LIGHTING - continued

12. Ensure that with the boiler operating the dynamic gas pressure is able to obtain maximum output. Refer to Table 2.

N.B. The principle of the 1:1 gas valve ensures that the istor is able to deliver its full output at inlet pressure well below those required by BS 6891.

IMPORTANT.

The gas input to the burner is regulated by the gas valve according to the air flow produced by the fan. It is NOT user adjustable. Any interference to sealed settings on the gas valve will adversely affect operation and render our warranty void.

CENTRAL HEATING

- 13. Once the DHW tank is satisfied with the boiler thermostat set to max the diverter valve will move and the boiler will fire in CH mode. The display (L) will show status ϵ .
- 14. Set the boiler ON/OFF switch (O) to OFF.
- 15. Remove the pressure gauge and tube. Tighten the sealing screw in the pressure test point. Ensure a gas tight seal is made.
- 16. Test for gas soundness around ALL boiler gas components, using leak detection fluid.
- 17. Switch the boiler on again.

45 GENERAL CHECKS

Make the following checks for correct operation in:

DOMESTIC HOT WATER (DHW) MODE

- 1. With no call for CH or DHW the boiler should fire for a short period to preheat the DHW storage tank.

The display should read

ϵ returning to

\emptyset

when the burner switches off.

Notes.

- a. *If no DHW is drawn off, the boiler will fire periodically for a short time, to maintain the storage tank temperature.*
- 2. Fully open all DHW taps in turn and ensure that water flows freely from them.

The display should read:

ϵ \odot flashing

then

ϵ \odot when the burner lights.

Note.

A minimum draw off of approx. 15% of the storage volume is required to initialise DHW reheat.

The DHW delivery temperature is factory set at 60°C. This is adjustable by means of the thermostatic mixer valve fitted to the appliance. Refer to Frame 46.

Make the following checks for correct operation in:

CENTRAL HEATING (CH) & DOMESTIC HOT WATER (DHW) MODE.

- 1. Ensure that the CH external controls are calling for heat.

The display should read:

ϵ \odot

after first satisfying DHW storage tank if necessary.

- 2. Fully open a DHW tap and check that hot water is delivered.

The display should read:

ϵ \odot after 15% of the storage volume is drawn off.

- 3. **Gas Rate**

Check the boiler gas rate when the boiler is at full DHW output.

The gas rate will normally be between:

51.9 to 57.4 litres per minute

1.8 to 2.0 cu/ft. per minute

checked at the gas meter, with no other appliance in use.

Note. Long flue will reduce air flow, reducing the gas rate, slightly. If these rates are not obtainable consult the fault finding section.

- 4. Close the DHW tap. The burner should go off when the storage temperature is satisfied.

The display should read:

ϵ \odot flashing

then

ϵ \odot flashing

After 15 seconds the burner should relight, to supply central heating.



The display should read:

ϵ \odot

46 GENERAL CHECKS - continued

- Set the central heating external controls to OFF. The burner should go off and the pump continue to run for a few seconds.

The display should read:

 returning to
 when the pump stops.

- Check the correct operation of the programmer and all other system controls. Operate each control separately and check that the main burner corresponds.

WATER TEMPERATURES

The design water output temperatures are as follows:

Central Heating 82 °C maximum

Domestic Hot Water 65 °C maximum

Lower temperatures can be selected via the CH thermostat knob and the DHW mixer valve.

Central Heating		Domestic Hot Water	
Knob Setting	CH Flow Temp °C (°F)	Knob setting	DHW Temp °C
Max	82 (180)	Min	30
Min	30 (86)	1	34
		2	39
		3	43
		4	48
		5	52
		6	56
		7	61
		Max	65

WATER CIRCULATION SYSTEM

- With the system COLD, check that the initial pressure is correct to the system design requirements.

For pre-pressurised systems, this should be 1.0 bar.

- With the system HOT, examine all water connections for soundness. The system pressure will increase with temperature rise but should not exceed 2.5 bar.
- With the system still hot, turn off the gas, water and electricity supplies to the boiler and drain down to complete the flushing process.

Note. A flushing solution should be used during the flushing procedure. Flushing solutions, Fernox Superfloc, Sentinel X300 (new systems) or X400 (existing systems). Refer to Frame 6.

- Refill and vent the system, add inhibitor (see Frame 6), clear all air locks and again check for water soundness. Affix the water treatment warning label, supplied in the hardware pack, in a prominent position on the system, to prevent the use of incorrect water treatment additives.

- Reset the system initial pressure to the design requirement.
- Balance the system. Refer to Frame 8.
- Check the condensate drain for leaks and check that it is discharging correctly.
- Finally, set the controls to the User's requirements.

Note. The pump will operate briefly as a self-check, once every 24 hours regardless of system demand.

47 HANDING OVER

After completing the installation and commissioning of the system the installer should hand over to the householder by the following actions:

- Hand the User Instructions to the householder and explain his/her responsibilities under the relevant national regulations.
- Explain and demonstrate the lighting and shutting down procedures.
- The operation of the boiler and the use and adjustment of all system controls should be fully explained to the householder, to ensure the greatest possible fuel economy consistent with the household requirements of both heating and hot water consumption.

Advise the User of the precautions necessary to prevent damage to the system and to the building, in the event of the system remaining inoperative during frosty conditions.

- Explain the function and the use of the boiler heating and domestic hot water controls.
- Explain the function of the boiler fault mode.
Emphasise that if a fault is indicated, the boiler should be turned off and a registered local heating installer consulted. In IE contact a competent person.
- Explain and demonstrate the function of time and temperature controls, radiator valves etc., for the economic use of the system.

- A programmer is fitted so draw attention to the Users Instructions and hand them to the householder.

8. Loss of system water pressure

Explain that the pressure gauge inside the lower door indicates the central heating system pressure and that if the normal COLD pressure of the system is seen to decrease over a period of time then a water leak is indicated. In this event a registered local heating installer should be consulted.

WARNING.

Do not fire the boiler if the pressure has reduced to zero from the original setting.

- After installation, commissioning and customer hand-over instructions please complete the **benchmark** appliance log book and leave this with the customer.**

10. IMPORTANT

A comprehensive service should be carried out ANNUALLY.

Stress the importance of regular servicing by a Corgi registered installer. In IE servicing work must be carried out by a competent person.

As the installer you may wish to undertake the service contract yourself or alternatively offer to the customer the benefits of the Ideal Care Scheme details of which are outlined in the householder pack supplied with this boiler.

48 SERVICING SCHEDULE

To ensure the continued safe and efficient operation of the appliance it is recommended that it is checked at regular intervals and serviced as necessary. The frequency of servicing will depend upon the installation condition and usage but should be carried out at least annually.

It is the law that any service work must be carried out by a registered CORGI installer. IN IE service work must be carried out by a competent person.

BOILER MODULE

Note. Some aluminium oxide build-up on the heat engine fins is usual with this type of condensing boiler. Though removal is recommended annually, the heat engine **MUST** be inspected and cleaned after a **MAXIMUM** of 2 years operation.

1. Remove the upper and lower front panels. Refer to Frame 50.
 2. Light the boiler and carry out a pre-service check, noting any operational faults.
 3. Relight the boiler and operate for at least 10 minutes. Check the gas consumption.
 4. Connect a suitable gas analyser to the sampling point on the top of the boiler (refer to Frame 49) or into the flue terminal if access is possible (optional test).
For correct boiler operation, the CO/CO₂ content of the flue gas should not be greater than 0.004 ratio.
If this is the case, and the gas input is at least 90% of the nominal, then no further action need be taken. If not, proceed to Step 5 but see note above.
 5. Clean the main burner.
 6. Clean the heat engine.
- Note.** This must be done with the heat engine and deposits in a dry condition. Refer to Frame 58.
7. Check the main injector for blockage or damage.
 8. Wherever possible remove and clean the condensate trap (refer to Frame) and check the drain for blockage.
 9. Check that the flue terminal is unobstructed and that the flue system is sealed correctly.
 10. If for any reason, the condensate trap has been removed. Ensure that the trap is re-filled with water before re-assembly.

Do NOT OPERATE the boiler if the sealing panel is not fitted

11. Complete the service section in the Benchmark log book.

TANK MODULE

Note. The unvented DHW cylinder must be inspected and serviced annually.

12. Release system pressure via relief valve and check expansion vessel pre-charge pressure is between 1.5 to 2.5 bar. Adjust if required and top up system to same pressure.
 13. With no water pressure on the system, check and if necessary adjust the secondary expansion vessel pressure to approximately 2 bar.
- Note.** Vessel pressure can not be accurately set with water pressure in system.
14. Partially open vent on top of heat exchanger and release any trapped air. Partially unscrew cap on the air vent (on top of diverter valve) and release air.
 15. Remove and clean the DHW inlet filter. Refer Frame 57.
 16. Check that the discharge from both the expansion valves and the temperature and pressure relief valve on the tank go to waste. The pipe is clear and both valves close.
 17. Check all joints for leaks

GENERAL

The servicing procedures are covered more fully in Frames 49 to 59 and **MUST** be carried out in sequence.

Note.

In order to carry out either servicing or replacement of components the boiler front panels, sealing panel and fascia panel must be removed.

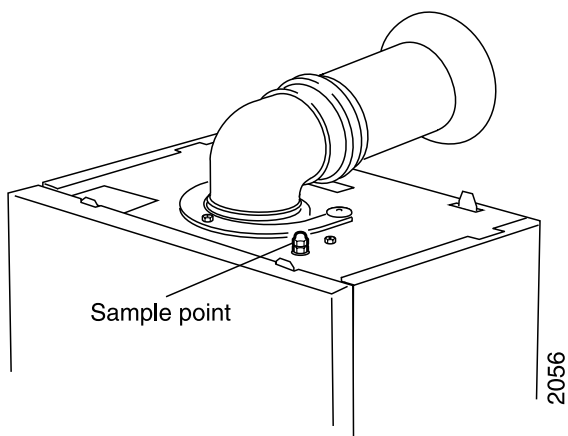
WARNING. Always turn OFF the gas supply at the gas service cock, and switch OFF and disconnect the electricity supply to the appliance before servicing.

IMPORTANT.

After completing the servicing or exchange of components always test for gas soundness and carry out functional checks in 3 and 4 above.

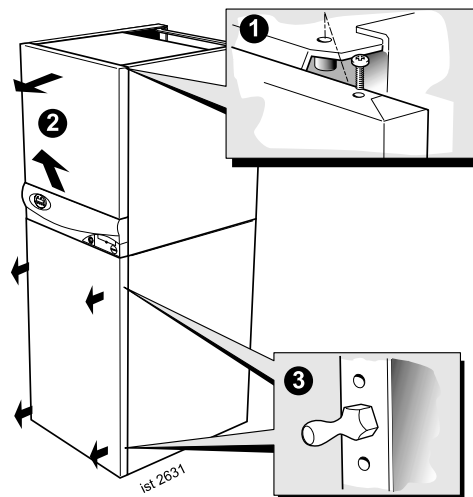
When work is complete the sealing panel **MUST** be correctly refitted, ensuring that a good seal is made.

49 SAMPLING POINT



50 BOILER FRONT PANEL REMOVAL

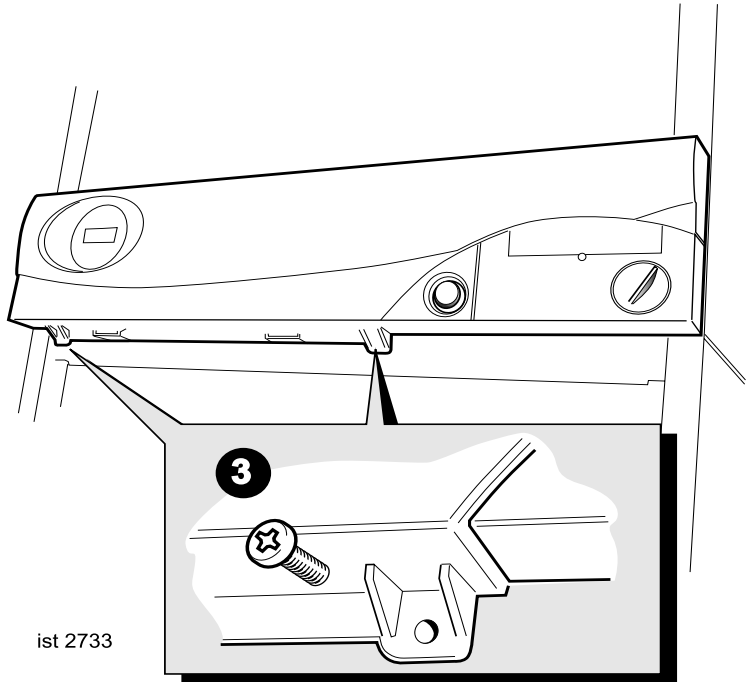
1. Remove the 2 securing screws.
2. Pull the top panel forward at the top and lift to disengage it from the locating pins.
3. Pull the bottom panel forward off the locating pins.



51 CONTROLS FACIA PANEL REMOVAL

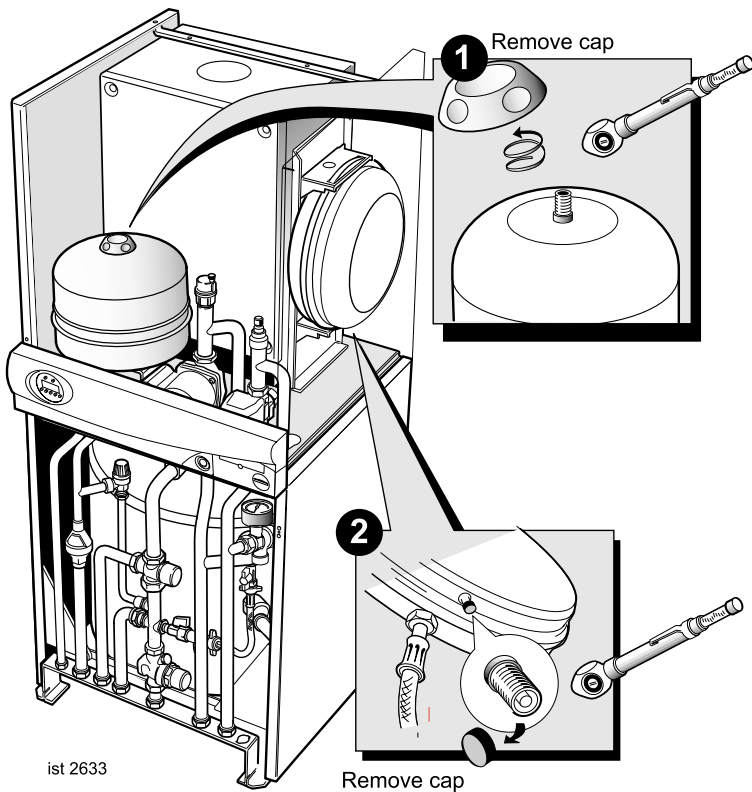
Refer to Frame 50.

1. Ensure the power supply is turned off.
2. Disconnect the 14 way in-line molex connector.
3. Remove the 2 M5 screws securing the panel.
4. Lift off the panel from its locating slots.
5. Disconnect the DHW thermistor at the in-line connector.
6. Remove the panel and store carefully to one side.



52 EXPANSION VESSEL PRESSURE

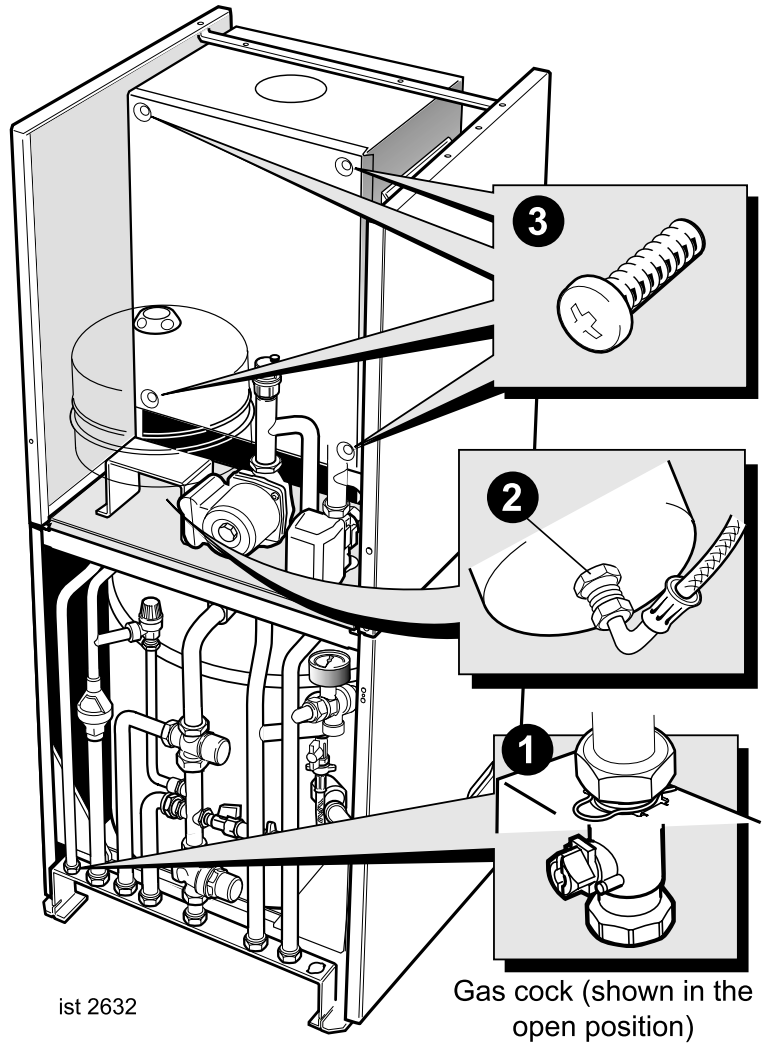
Check the pre-charge pressures on both expansion vessels and top up if necessary.



Pre-charge Pressure		
1	DHW	1.5 - 2.5 bar
2	CH	1 - 1.5 bar

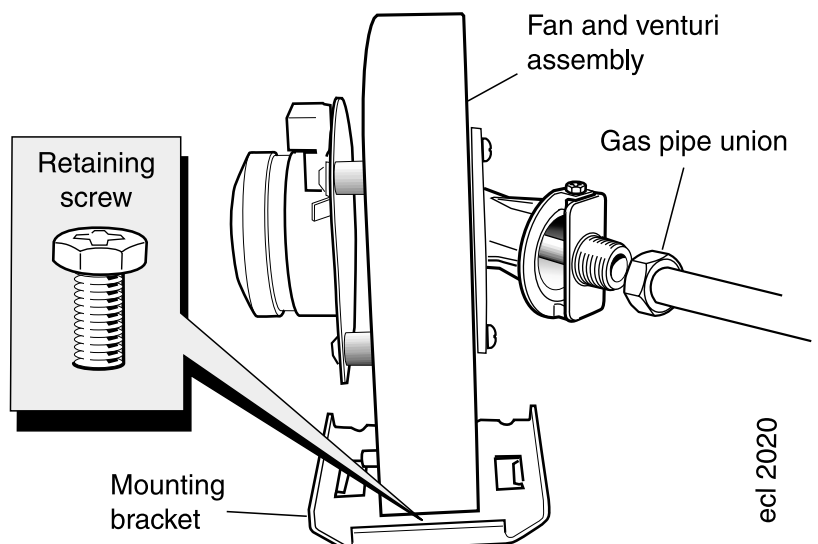
53 BOILER SEALING PANEL REMOVAL

1. Turn off the gas supply at the gas service cock and disconnect the electricity supply.
2. Slacken the backnut securing the DHW vessel to its support bracket and remove carefully to one side. It is unnecessary to disconnect the hose at this stage.
3. Remove the 4 securing screws and lift off the panel.



54 FAN, GAS INJECTOR AND VENTURI ASSEMBLY REMOVAL AND CLEANING

1. Disconnect the electrical leads from the fan.
2. Undo the gas pipe union connection to the injector housing.
3. Undo the single retaining screw on the fan mounting bracket.
4. Remove the mounting bracket.
5. Lift off fan and venturi assembly.



55 BURNER REMOVAL AND CLEANING

1. Undo and remove the 6 screws securing the burner (the 3 screws at the rear are extended to ease access).
2. Lift off the burner from the combustion chamber.

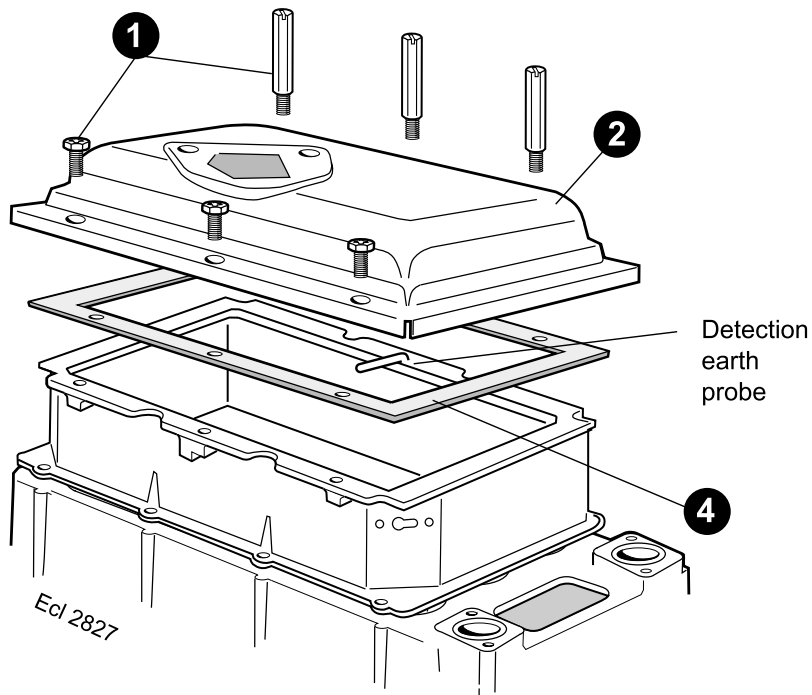
WARNING

The burner head is a ceramic plaque construction. Care must be taken to ensure that the burner is not placed down upon its face as this may cause damage to the ceramic.

3. Brush off any deposits that may be on the ceramic with a SOFT brush.
4. Inspect the sealing gasket around the burner for any signs of damage. Replace if necessary.

Note.

Take care not to disturb the detection earth probe at the rear of the combustion chamber.



56 CLEANING THE CONDENSATE 'S' TRAP

1. Disconnect the condensate drain pipe.
2. Remove the elongated bolts, pull the trap down and forwards to remove.
3. Flush out any deposits with clean water.
4. When re-assembling ensure that the trap is full of water.

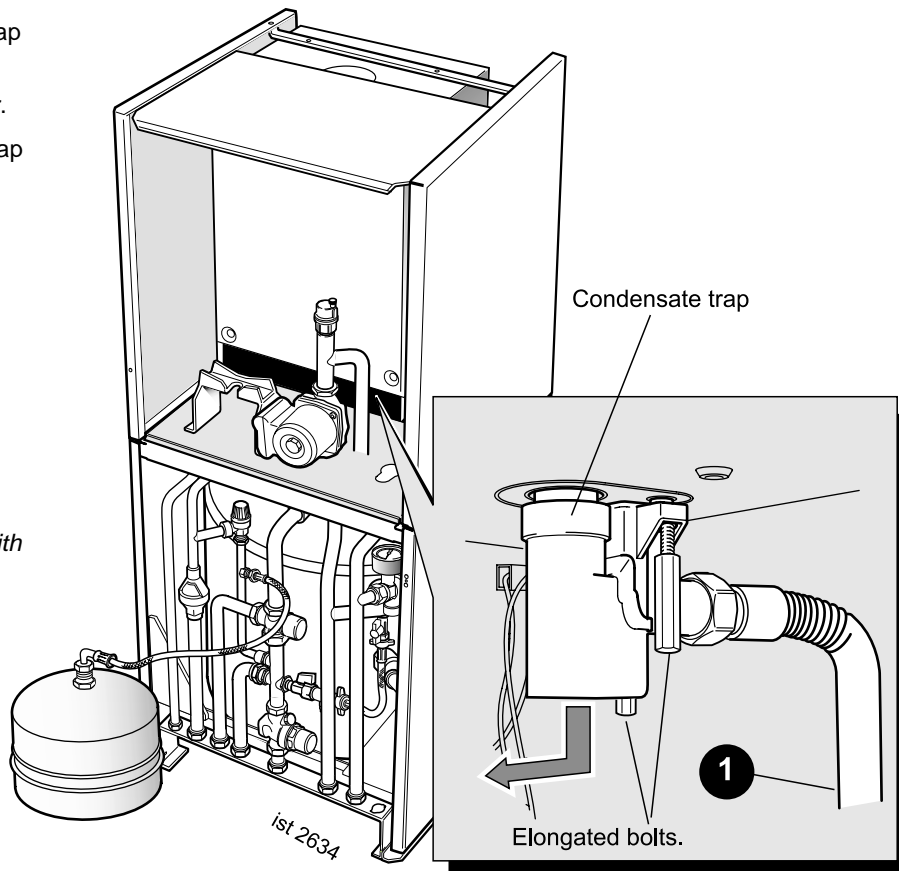
Note.

To improve access it may be necessary to:

- a. remove the tank module gas pipe.
- and
- b. remove the boiler controls box see Frame 73.

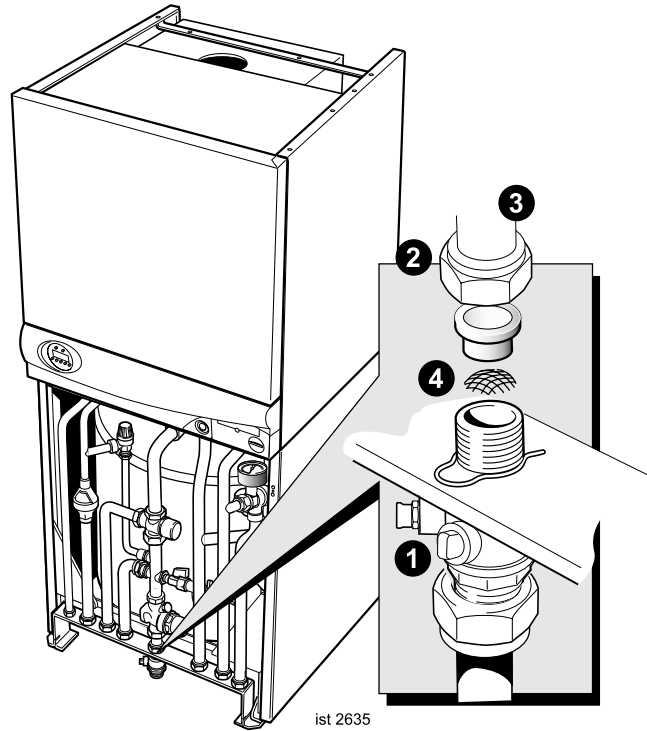
Alternatively

Flush out any deposits in the 'S' trap by removing the sump front cover and flush with clean water see Frame 58.



57 CLEANING DHW INLET FILTER

1. Close the DHW inlet isolating valve.
2. Undo the union nut on the isolating valve.
3. Undo the union nut on the inlet side of the water governor.
4. Withdraw the short piece of pipe between the two.
5. The filter is located in the top of the isolating valve.
6. Remove the filter, clean and re-assemble in reverse order.



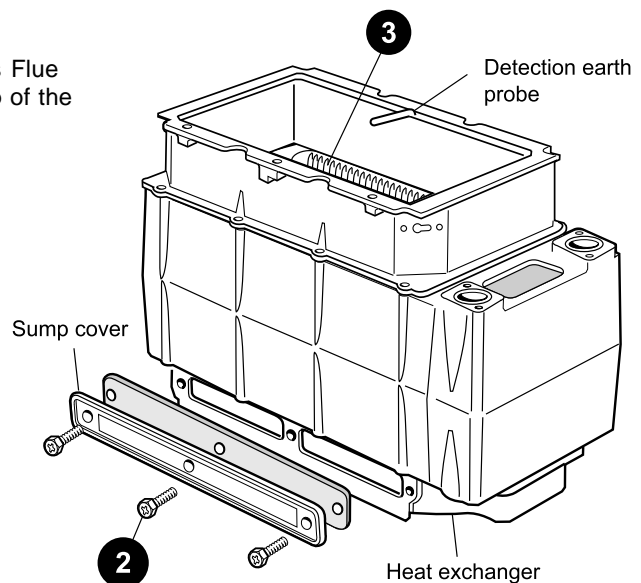
ist 2635

58 CLEANING THE HEAT EXCHANGER

1. Remove ignition and sensor electrodes (Frames 66 & 67).
2. Remove the 3 screws securing the sump cover and remove.
3. Using a suitable tool as supplied in the standard British Gas Flue brush kit, clean between the heat exchanger fins from the top of the heat exchanger.
4. Access to the base of the heat exchanger is now possible. Brush clean any deposits from the base of the heat exchanger and remove any loose deposits from the sump.
5. Inspect the spark and detection electrodes. Ensure that they are clean and in good condition - replace if necessary.
6. Check that the spark and detection gaps are correct. See Frames 66 & 67.
7. Check the spark and detection leads are in good condition and renew as necessary.

Note.

Take care not to disturb the detection earth probe at the rear of the combustion chamber and also to catch any residual water in the sump.



Ecl 2828

59 RE-ASSEMBLY

Re-assemble the boiler in the following order:

1. Refit the condensate trap.
2. Refit the sump cover.
3. Refit the electrodes. (Check dimensions, see Frames 66 & 67).
4. Refit the burner, renewing any damaged or deteriorating sealing gaskets.
5. Refit the fan / venturi assembly.
6. Reconnect the fan electrical lead.

7. Refit the boiler sealing panel.

IMPORTANT.

Ensure that the boiler sealing panel is correctly fitted and that a good seal is made.

8. Turn on the gas supply at the gas service cock.
9. Reconnect the electrical supply.

SERVICING

60 REPLACEMENT OF COMPONENTS

GENERAL

When replacing ANY component in the boiler module.

1. Isolate the electricity supply.
2. Turn off the gas supply.
3. Remove the boiler front panels. Refer to Frame .
4. It may be necessary to remove the DHW expansion vessel. Refer to Frame 53.

After replacing ANY component check operation of the boiler including gas soundness, gas rate and combustion test.

IMPORTANT.

When work is complete, if the sealing panel has been removed, it must be correctly refitted - ensuring that a good seal is made.

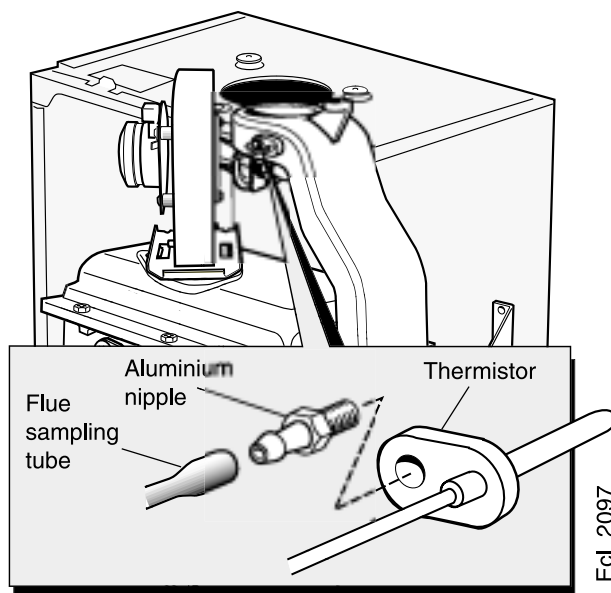
Notes.

1. In order to assist fault finding, the control panel has an LED diagnostic display. The key to boiler fault conditions is shown in Frame 94.
2. In order to replace most of the components in Frames 76 to 93 it is necessary to drain the boiler or cylinder. Refer to Frames 81 & 82.

THE BOILER MUST NOT BE OPERATED IF THE SEALING PANEL IS NOT FITTED

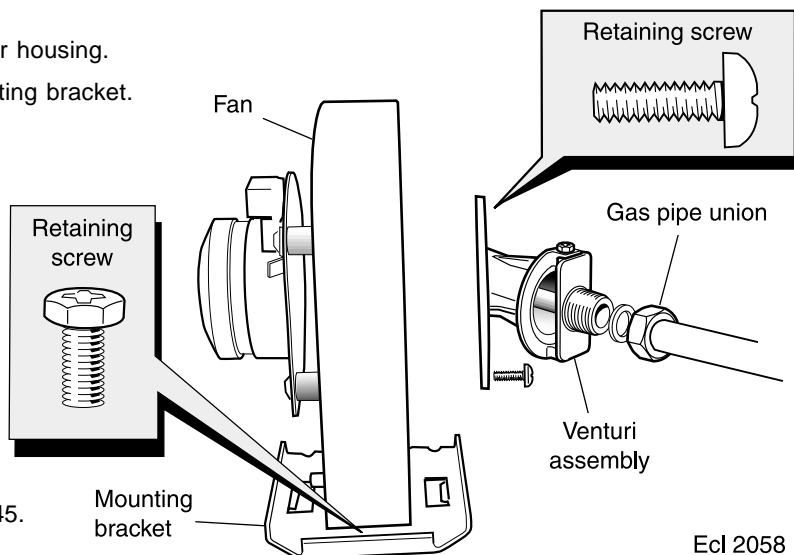
61 FLUE THERMISTOR REPLACEMENT

1. Refer to Frame 50 & 51.
2. Remove the boiler sealing panel. Refer to Frame 53.
3. Unplug the electrical lead.
4. Disconnect the flue sampling tube from the thermistor housing.
5. Remove the aluminium nipple securing the thermistor to the flue manifold.
6. Withdraw the thermistor.
7. Fit the new flue thermistor, using the gasket supplied.
8. Re-assemble in reverse order.
9. Check the operation of the boiler. Refer to Frame 45.



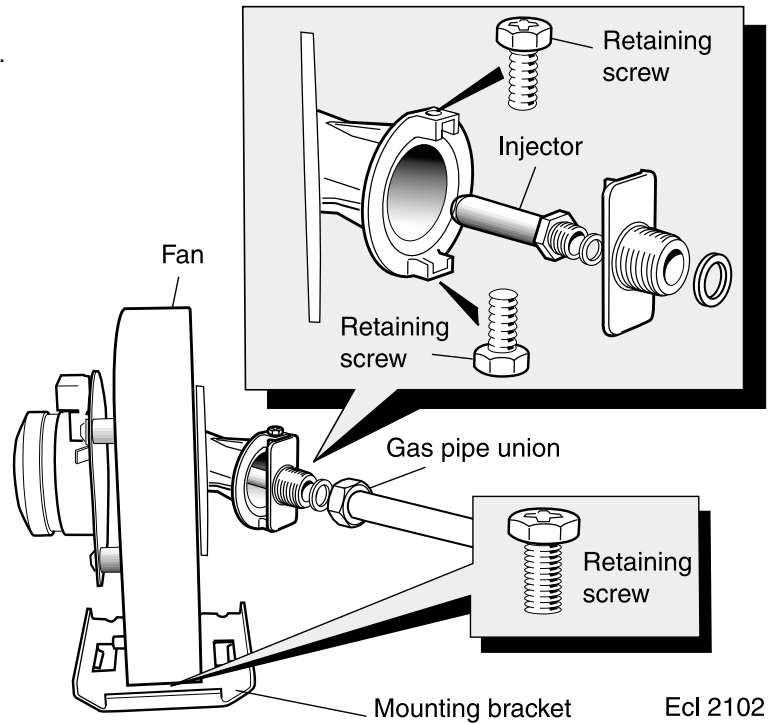
62 FAN REPLACEMENT

1. Refer to Frame 50 & 51.
2. Remove the boiler sealing panel. Refer to Frame 53.
3. Disconnect the electrical leads from the fan.
4. Undo the gas pipe union connection to the injector housing.
5. Remove the retaining screw and pull off the mounting bracket.
6. Remove the fan and venturi assembly.
7. Remove the 3 retaining screws and remove the venturi assembly, *noting the orientation of the venturi in relation to the fan body.*
8. Transfer the venturi assembly to the new fan, replacing the gasket if evidence of damage or deterioration is visible.
9. Fit the new fan / venturi assembly.
10. Re-assemble the boiler in reverse order taking care not to overtighten the single retaining screw on the fan mounting bracket.
11. Check the operation of the boiler. Refer to Frame 45.



63 BURNER INJECTOR REPLACEMENT

1. Refer to Frame 50 & 51.
2. Remove the boiler sealing panel. Refer to Frame 53.
3. Disconnect the electrical leads from the fan.
4. Undo the gas pipe union connection to the injector housing.
5. Remove the retaining screw and pull off the mounting bracket.
6. Remove the fan and venturi assembly.
7. Remove the 2 injector housing retaining screws.
8. Withdraw the injector housing.
9. Fit the new injector housing complete with injector.
10. Re-assemble in reverse order, ensuring that the new gas seal supplied is located correctly in the injector housing.
11. Check operation of the boiler. Refer to Frame 45.

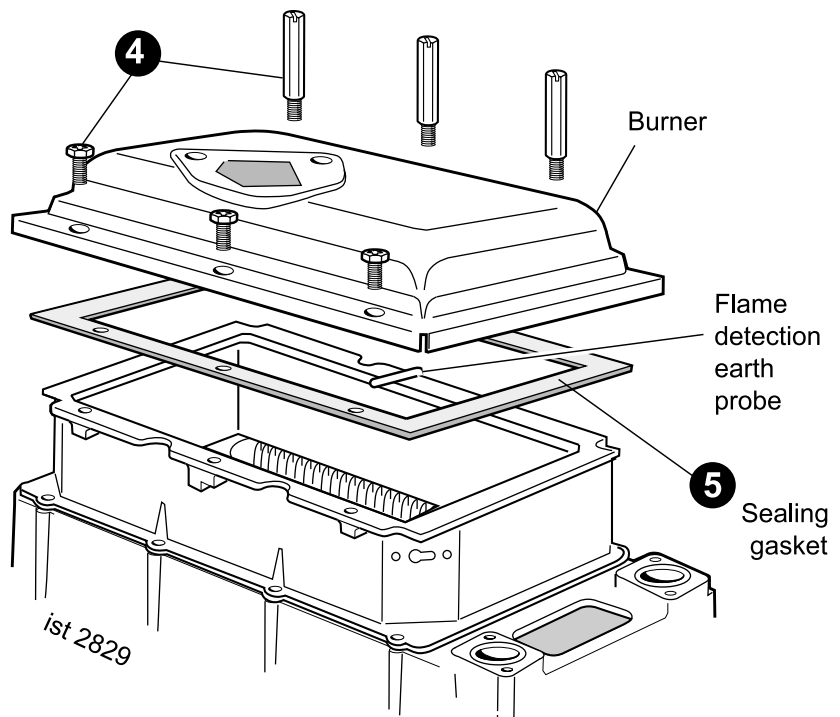


64 BURNER REPLACEMENT

1. Refer to Frame 50 & 51.
2. Remove the boiler sealing panel. Refer to Frame 53.
3. Remove the fan. Refer to Frame 55.
4. Remove the 6 securing screws and lift the burner off the combustion chamber.
5. Fit the new burner, replacing any damaged or deteriorating sealing gasket.
6. Re-assemble in reverse order.
7. Check the operation of the boiler. Refer to Frame 45.

Note.

Take care not to disturb the detection earth probe at the rear of the combustion chamber.



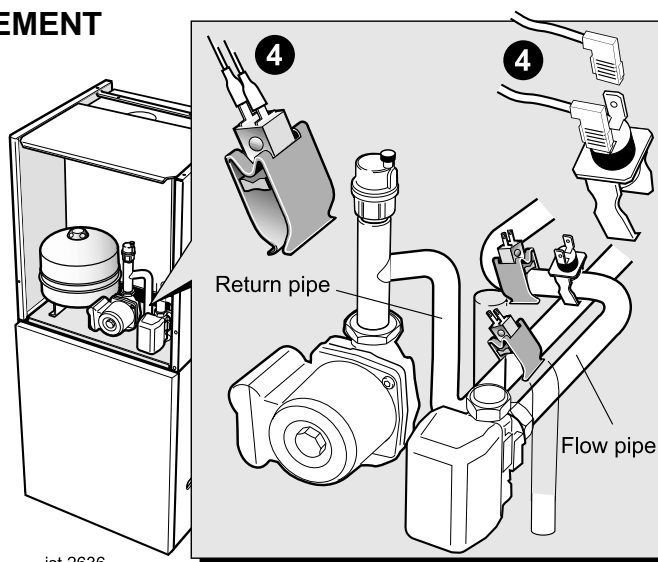
SERVICING

65 CONTROL THERMISTOR, RETURN THERMISTOR AND OVERHEAT THERMOSTAT REPLACEMENT

1. Refer to Frame 50 & 51.
2. Unclip the thermistor / thermostat from the flow / return pipe and withdraw it from the controls compartment.
3. Disconnect the electrical leads from the thermistor / thermostat.
4. Re-connect the electrical leads and re-assemble in reverse order ensuring that the spring clip is securely on the pipe.
5. Check the operation of the boiler. Refer to Frame 45.

Note.

*O/H thermostat on flow pipe - orange wires
Flow thermistor on flow pipe - red wires
Return thermistor on return pipe - pink wires*

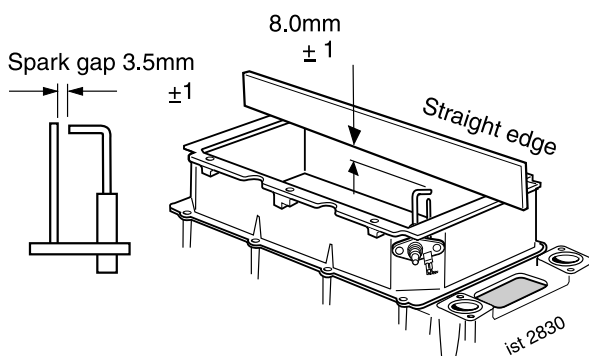
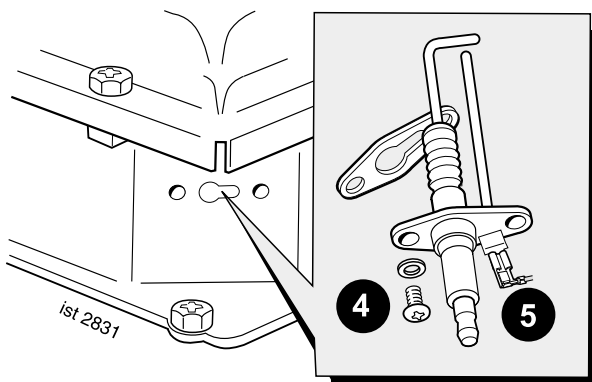


ist 2636

66 IGNITION ELECTRODE REPLACEMENT

1. Refer to Frame 50 & 51.
2. Remove the boiler sealing panel. Refer to Frame 53.
3. Unplug the spark electrode lead from the control box.
4. Undo the 2 retaining screws holding the spark electrode to the combustion chamber.

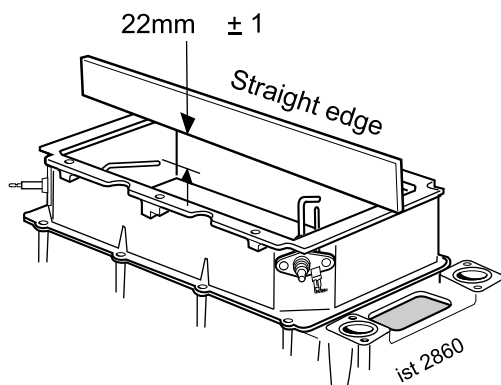
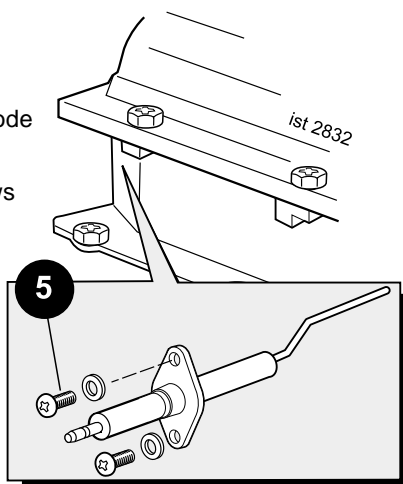
5. Remove the earth lead from the ignition electrode.
6. Remove the electrode, taking care not to dislodge the grommet from the casing.
7. Fit the new ignition electrode, using the new gasket supplied, check dimensions as shown.
8. Re-assemble in reverse order.
9. Check the operation of the boiler. Refer to Frame 45.



67 FLAME SENSING ELECTRODE REPLACEMENT

1. Refer to Frame 50 & 51.
2. Remove the boiler sealing panel. Refer to Frame 53.
3. Unplug the sensing electrode lead from the control box.
4. Undo the 2 retaining screws holding the sensing electrode to the combustion chamber.
5. Unbolt the sensing electrode earth lead from the earth point beneath the boiler.
6. Remove the electrode, complete with grommet.

7. Fit the new sensing electrode, using the new gasket supplied, check dimensions as shown.
8. Re-assemble in reverse order.
9. Check the operation of the boiler. Refer to Frame 45.



68 COMBUSTION CHAMBER INSULATION REPLACEMENT

The insulation boards used in the combustion chamber of this product are made of high temperature glass fibres with a binder of organic and inorganic materials.

Caradon Ideal Limited recommend that, for your own comfort and safety and to comply with good working practice, the procedure described below is followed:

1. Refer to Frame 50 & 51.
2. Remove the boiler sealing panel. Refer to Frame 53.
3. Remove the fan / venturi assembly. Refer to Frame 54.
4. Remove the burner. Refer to Frame 55.
5. Undo the retaining screws from the ignition electrode and withdraw it from the combustion chamber
6. Undo the retaining screws from the detection electrode and withdraw it from the combustion chamber.
7. Remove the detection earth probe.

Prior to removal of the board the following protective equipment should be worn:

- **Face mask supplied with the spare part**
- **Gloves supplied with the spare part**

8. Damp down the combustion chamber area containing the insulation boards.

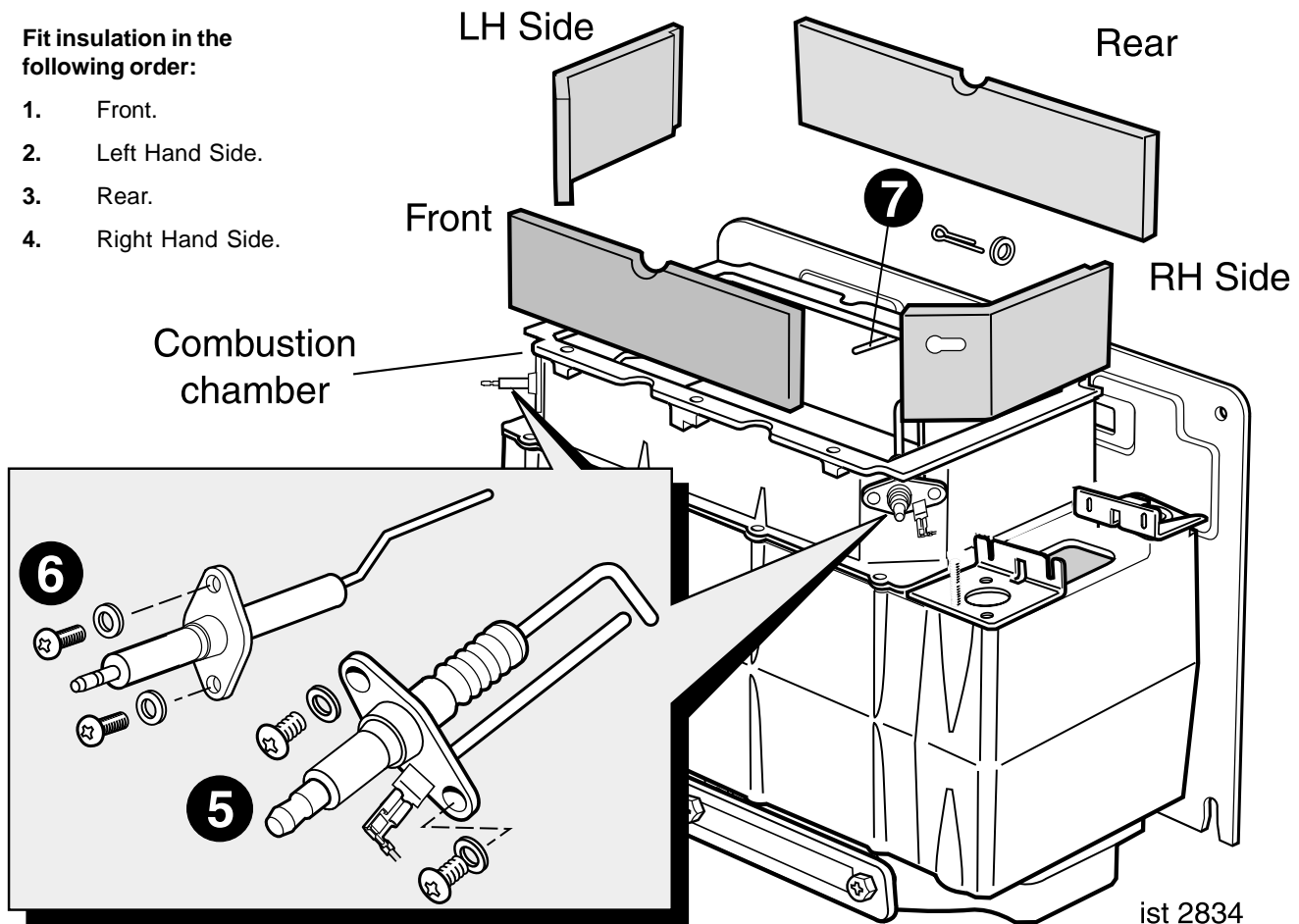
9. Remove the split pin and washer from the RHS of the combustion chamber.
10. Remove the insulation boards. The replacement boards are supplied in a plastic bag. This bag should be retained and the discarded boards should now be placed into it.
11. Sweep any dampened particles and place in the plastic bag.
12. Fit new insulation boards.

Note.
The boards are designed to be interlocking and should be fitted as shown.
13. Fit the new split pin and washer in RHS.
14. Remove the gloves and face mask and place them in the plastic bag.
15. Wash your hands and any areas of skin which may have come into contact with any of the particles from the insulation board.

Note.
Seal the plastic bag and dispose of it and its contents into a commercial tip.
16. Reassemble in reverse order.
17. Check operation of the boiler. Refer to Frame 45.

Fit insulation in the following order:

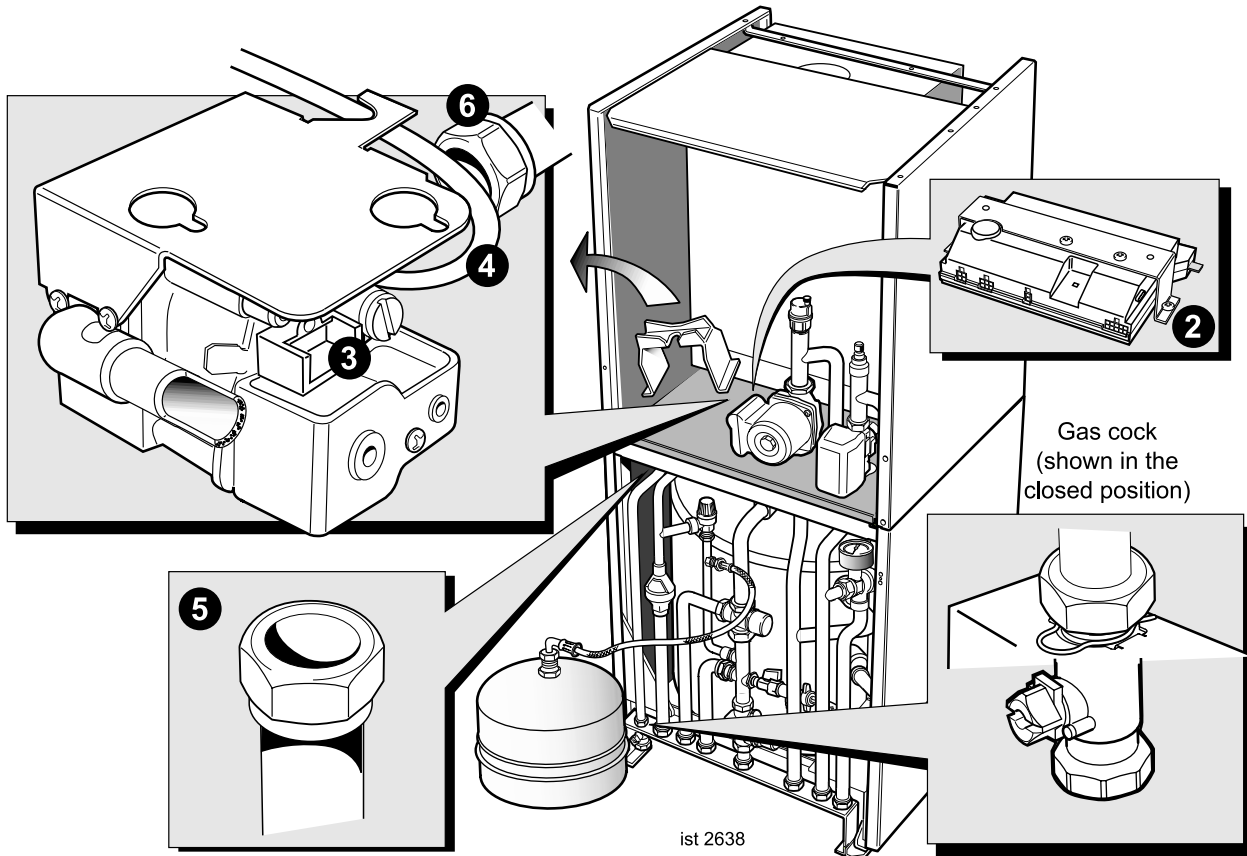
1. Front.
2. Left Hand Side.
3. Rear.
4. Right Hand Side.



SERVICING

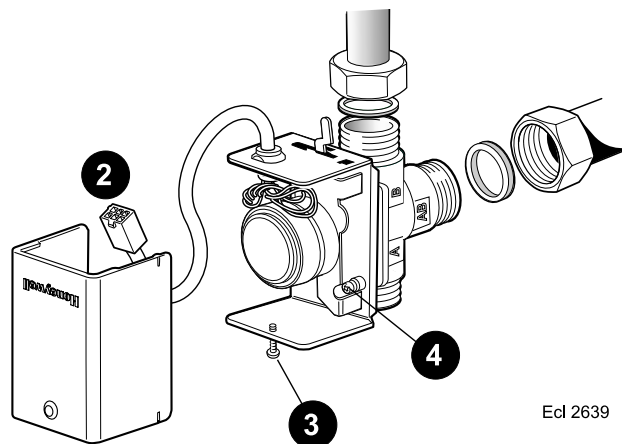
69 GAS CONTROL VALVE REPLACEMENT

1. Refer to Frame 50 & 51.
2. Undo the 2 screws securing the control box.
3. Unplug the electrical lead from the gas control valve and disconnect the earth wire.
4. Remove the sensing tube from the gas control valve.
5. Undo the gas inlet pipe union & backnut.
6. Undo the union nut on the RHS of the gas control valve.
7. Slacken the screw securing the valve mounting bracket and withdraw the valve, complete with bracket and inlet pipe.
8. Fit the new valve and re-assemble in reverse order.
9. Check operation of the boiler. Refer to Frame 45.



70 DIVERTER VALVE ACTUATOR REPLACEMENT

1. Refer to Frame 50 & 51.
2. Unplug the electrical lead from the valve actuator.
3. Slacken off the screw and pull off the cover.
4. Slacken off the 2 screws and pull off the complete assembly from the mounting plate.
5. Fit the new actuator and re-assemble in reverse order.
6. Check operation of the boiler. Refer to Frame 45.



SERVICING

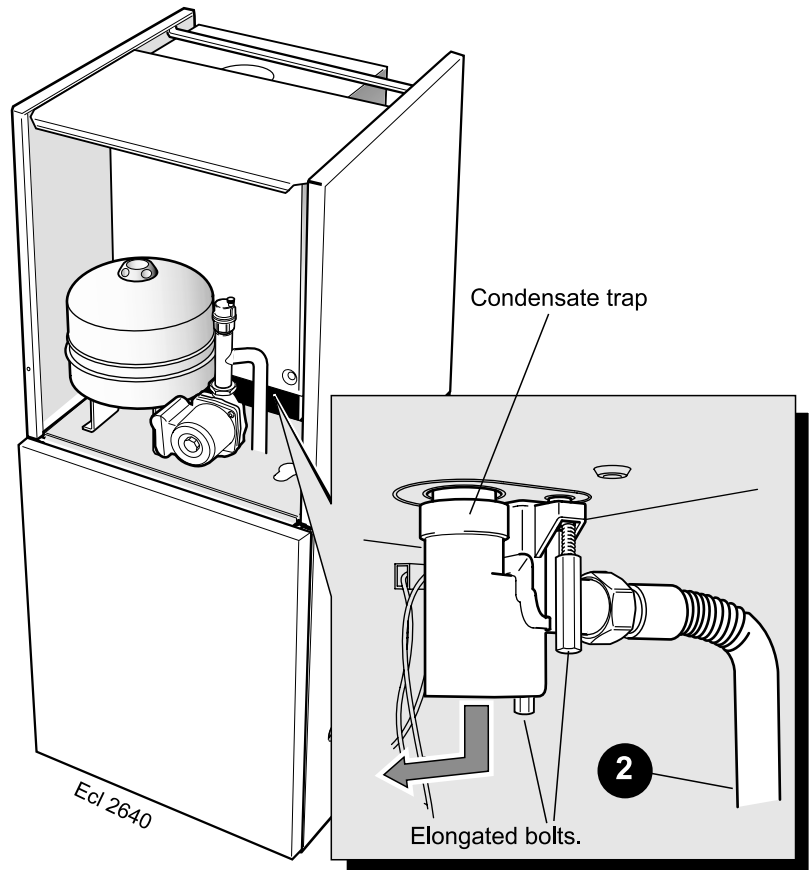
71 CONDENSATE 'S' TRAP REPLACEMENT

1. Refer to Frame 50 & 51 .
2. Disconnect the condensate drain pipe.
3. Remove the elongated bolts, pull the trap down and forwards to remove.
4. Transfer the drain pipe to the new trap and re-assemble in reverse order.
5. When re-assembling ensure that the trap is full of water.
6. Check operation of the boiler. Refer to Frame 45.

Note.

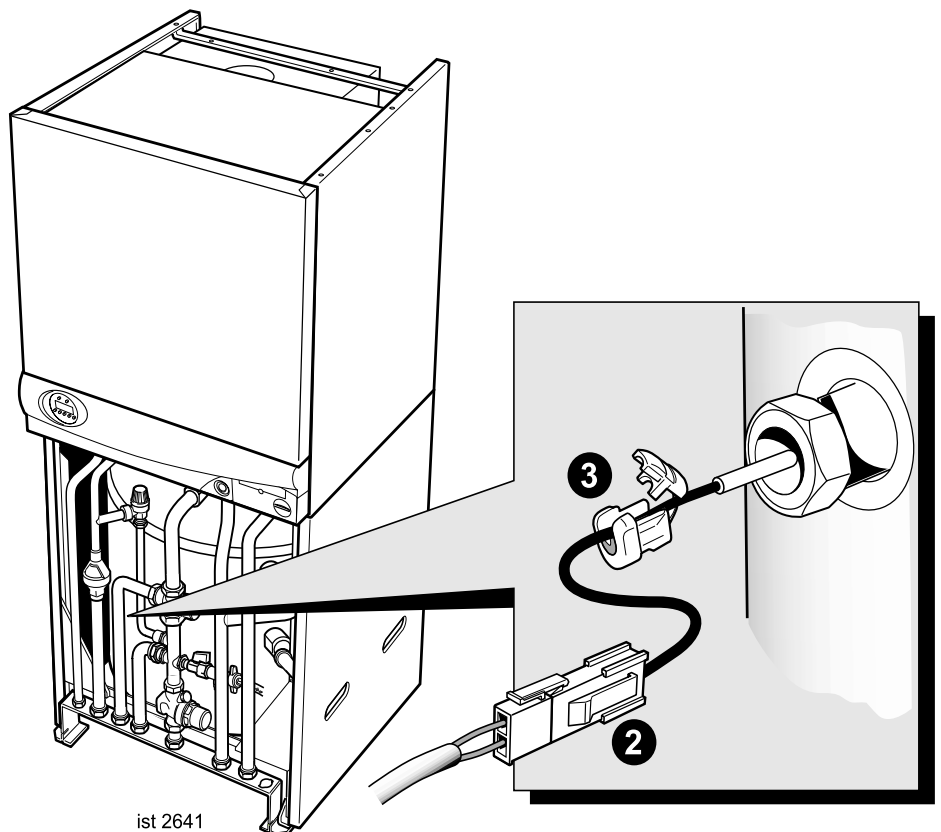
To improve access it may be necessary to:

- a. remove the tank module gas pipe.
- and
- b. remove the boiler controls box see Frame 73.



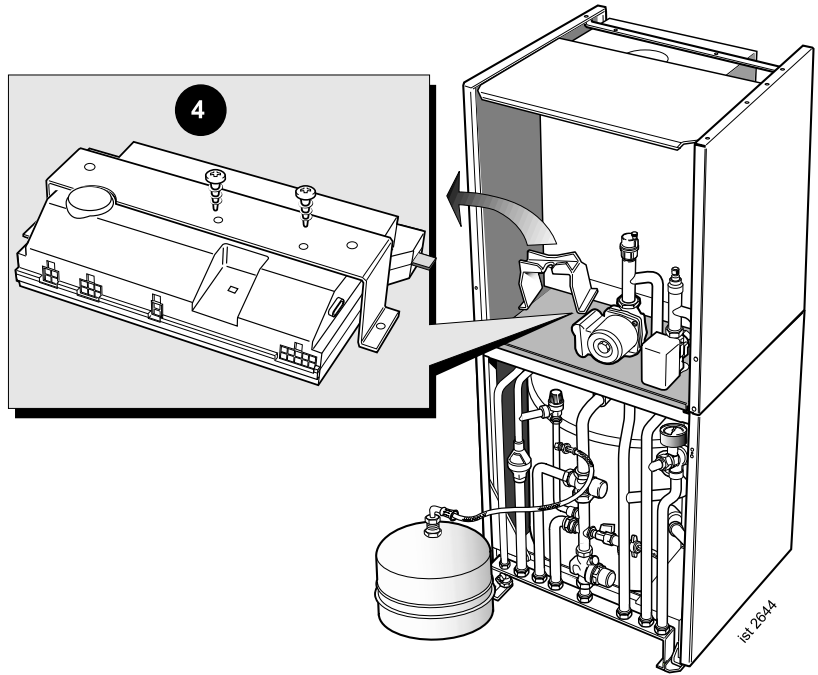
72 DHW THERMISTOR REPLACEMENT

1. Refer to Frame 50 & 51 .
2. Disconnect the electrical lead.
3. Withdraw the Heyco bush from the pocket.
4. Ease out the sensor and discard.
5. Fit the new sensor.
6. Refit the Heyco bush into the pocket.
7. Remake the electrical connection.
8. Check operation of the boiler. Refer to Frame 45.

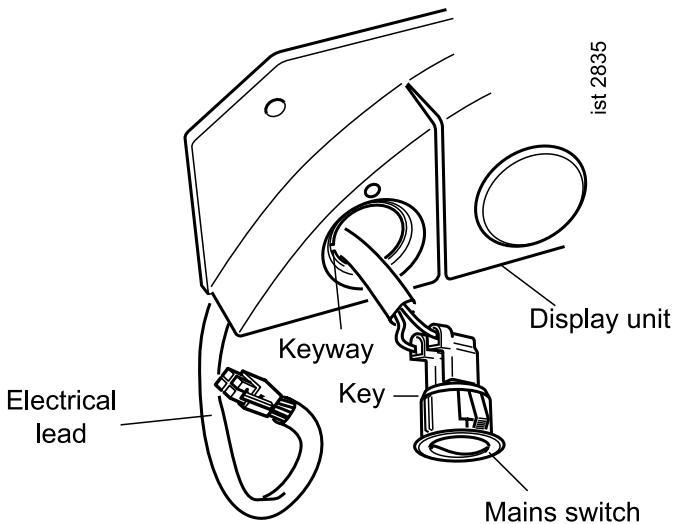


73 CONTROL BOX REPLACEMENT

1. Refer to Frame 50 & 51 .
2. Remove the fixing screws locating the control box bracket.
3. Unplug all the electrical wiring from the control box and remove.
4. Transfer the fixing bracket to the new control box.
5. Re-assemble in reverse order and reconnect all the electrical wiring.
6. Check operation of the boiler. Refer to Frame 45.



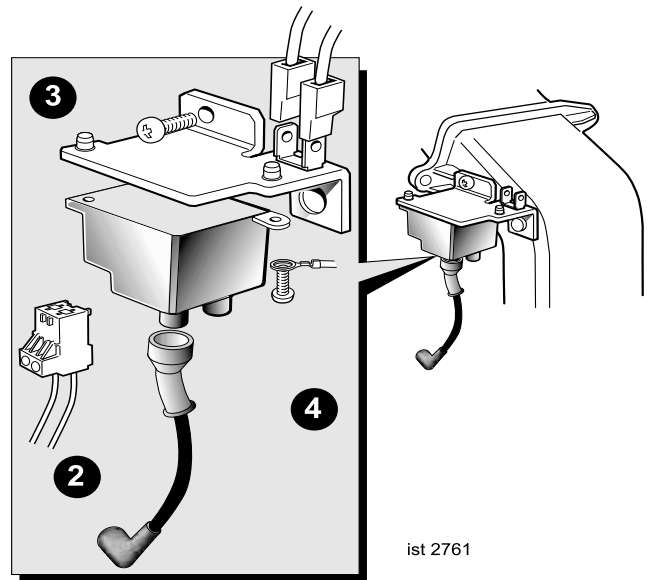
74 MAINS SWITCH REPLACEMENT



1. Refer to Frame 53.
2. Remove the 2 securing screws and allow the user control to lower.
3. Push out the mains switch from the rear, as shown.
4. Fit the new switch, ensuring that the electrical leads are replaced on the correct terminals (refer to Frame 41) and the key on the switch is correctly aligned with the keyway in the plastic moulding.
5. Re-assemble in reverse order.
6. Check operation of the boiler. Refer to Frame 45.

75 SPARK GENERATOR REPLACEMENT

1. Refer to Frame 50 & 51.
2. Disconnect the leads from the spark generator.
3. Remove the M4 screw securing the spark generator bracket to the flue casting.
4. Remove the 2 M4 screws securing the spark generator to the bracket.
5. Fit the new spark generator and re-assemble in reverse order.
6. Check operation of the boiler. Refer to Frame 45.

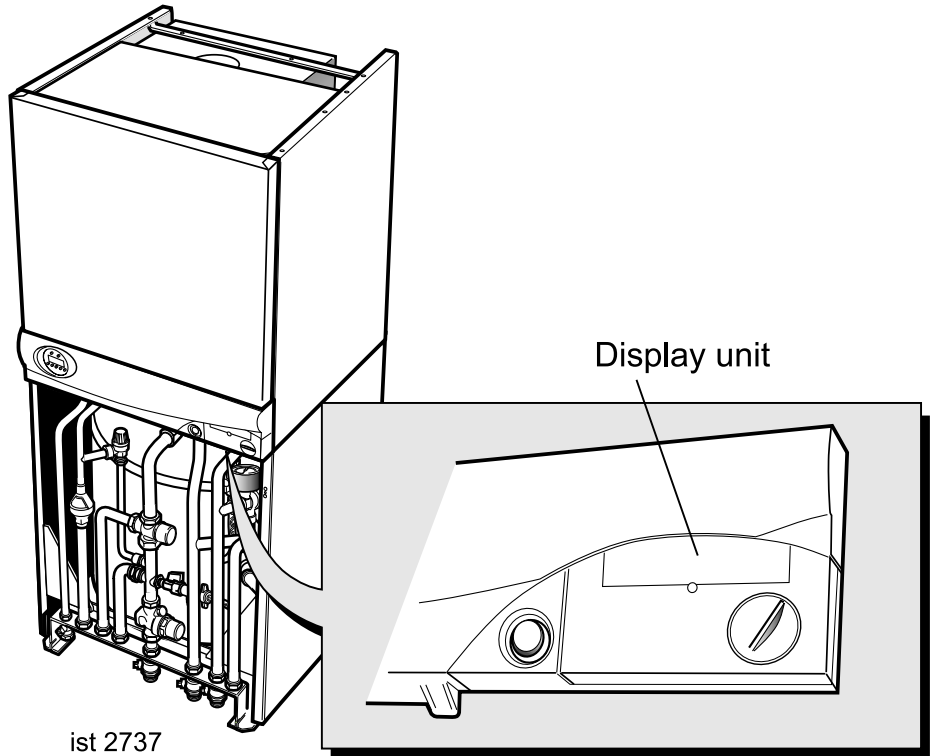


76 DISPLAY UNIT REPLACEMENT

Note.

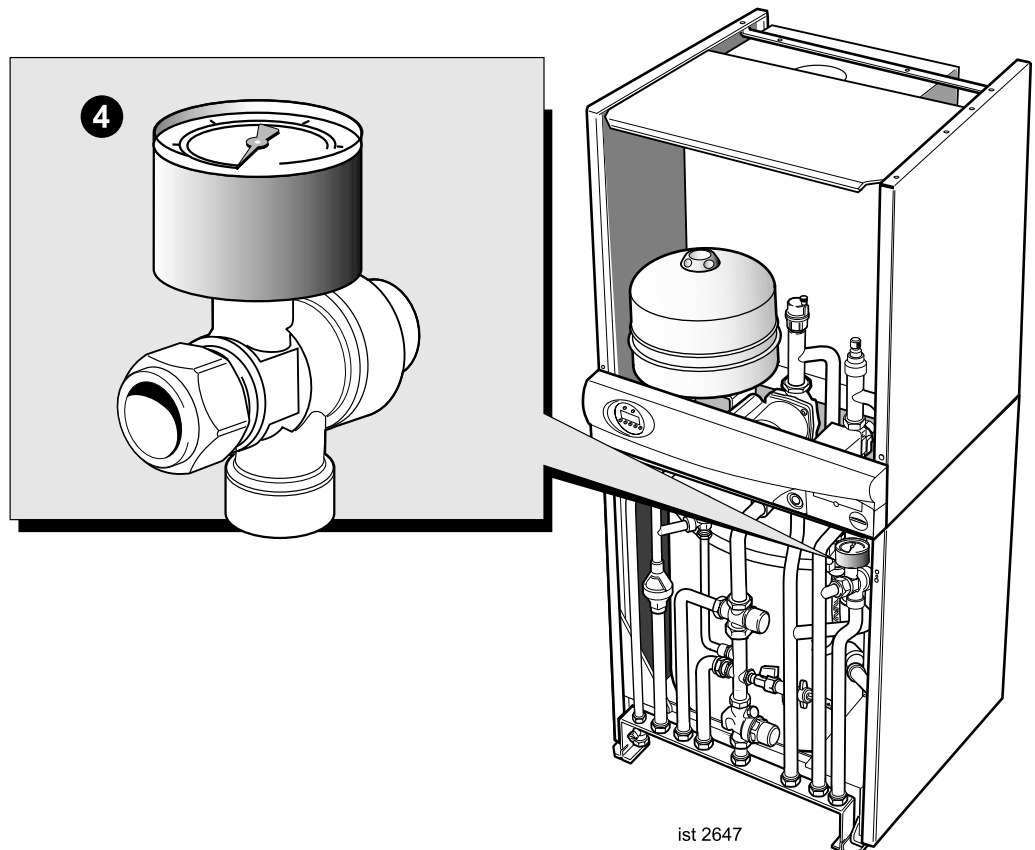
Only the display unit is replaced.

1. Refer to Frame 50 & 51.
2. Loosen the screw on the underside of the user control.
3. Pull the display unit forward to remove.
4. Push the new display unit into position.
5. Reassemble in reverse order.
6. Check operation of the boiler. Refer to Frame 45 .

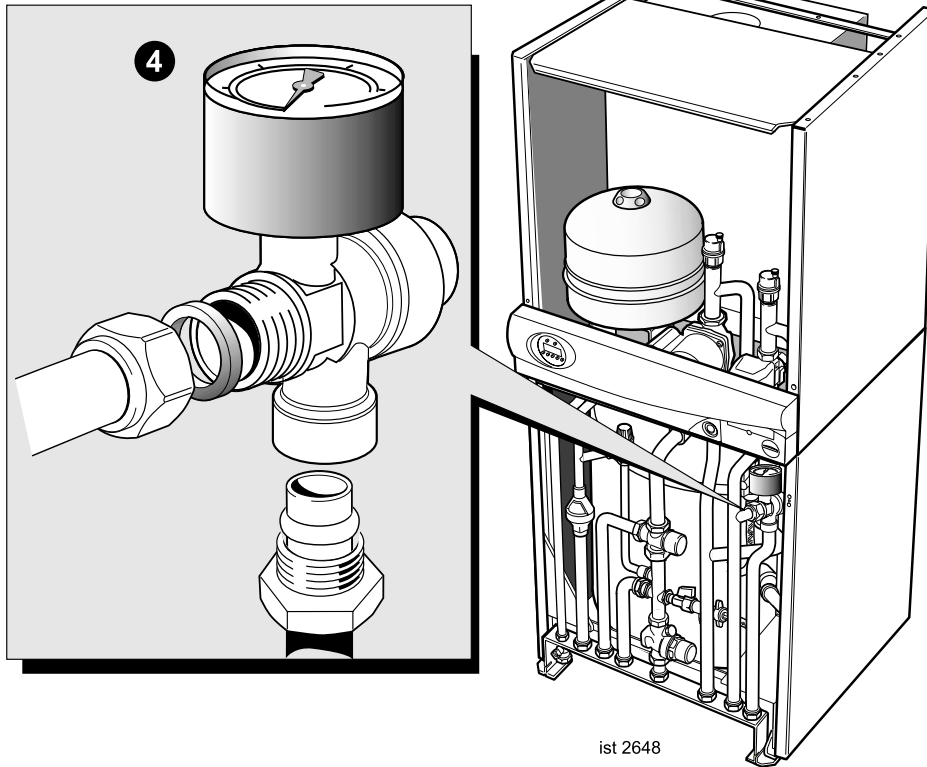


77 PRESSURE GAUGE REPLACEMENT

1. Refer to Frame 50 & 51.
2. Unclip lower front panel.
3. Drain the boiler. Refer to Frame 82 .
4. Unscrew the pressure gauge and discard.
5. Fit the new pressure gauge using a suitable jointing compound.
6. Refill the boiler. Refer to Frame 36 .
7. Check the operation. Refer to Frame 45 .

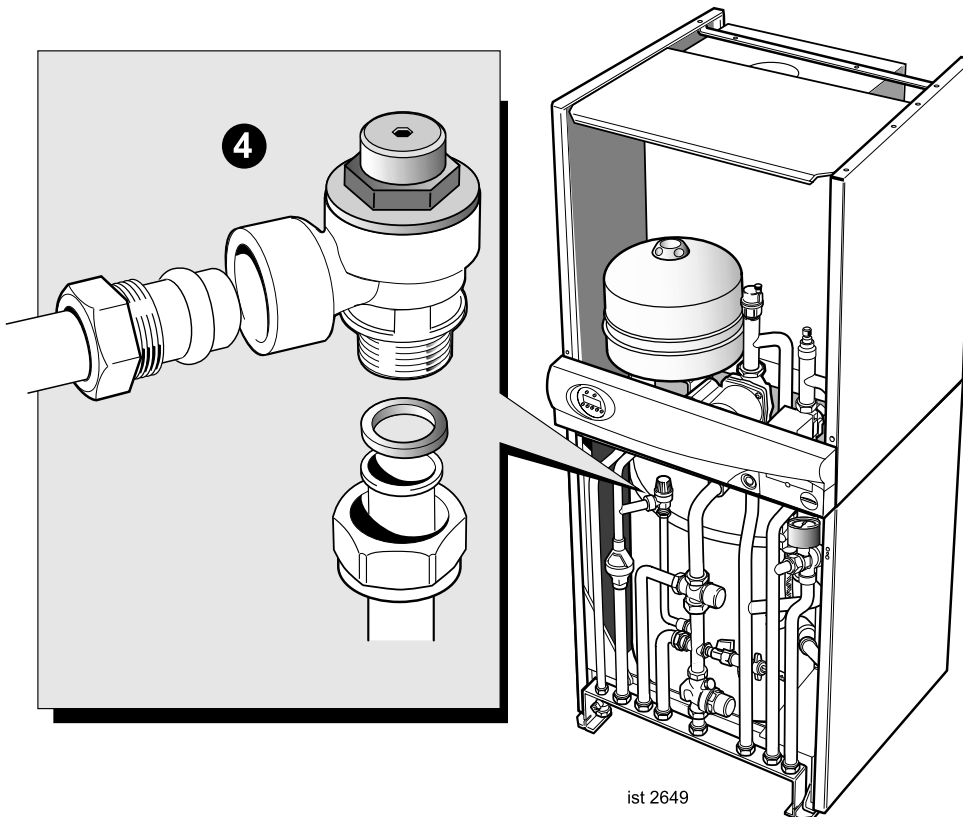


78 SAFETY RELIEF VALVE REPLACEMENT



1. Remove the casing bottom panel. Refer to Frame 50.
2. Drain the boiler. Refer to Frame 82.
3. Remove the discharge pipe.
4. Remove the valve and pressure gauge.
5. Transfer the pressure gauge to the new relief valve.
6. Reassemble in reverse order.
7. Fit the new safety valve and refit the securing pin.
8. Re-assemble in reverse order ensuring correct location of screws in support plate and that tabs on the pump and valve housings engage in slots.
9. Reconnect the discharge pipe.
10. Check operation of the boiler. Refer to Frame 45.

79 DHW CYLINDER RELIEF VALVE REPLACEMENT

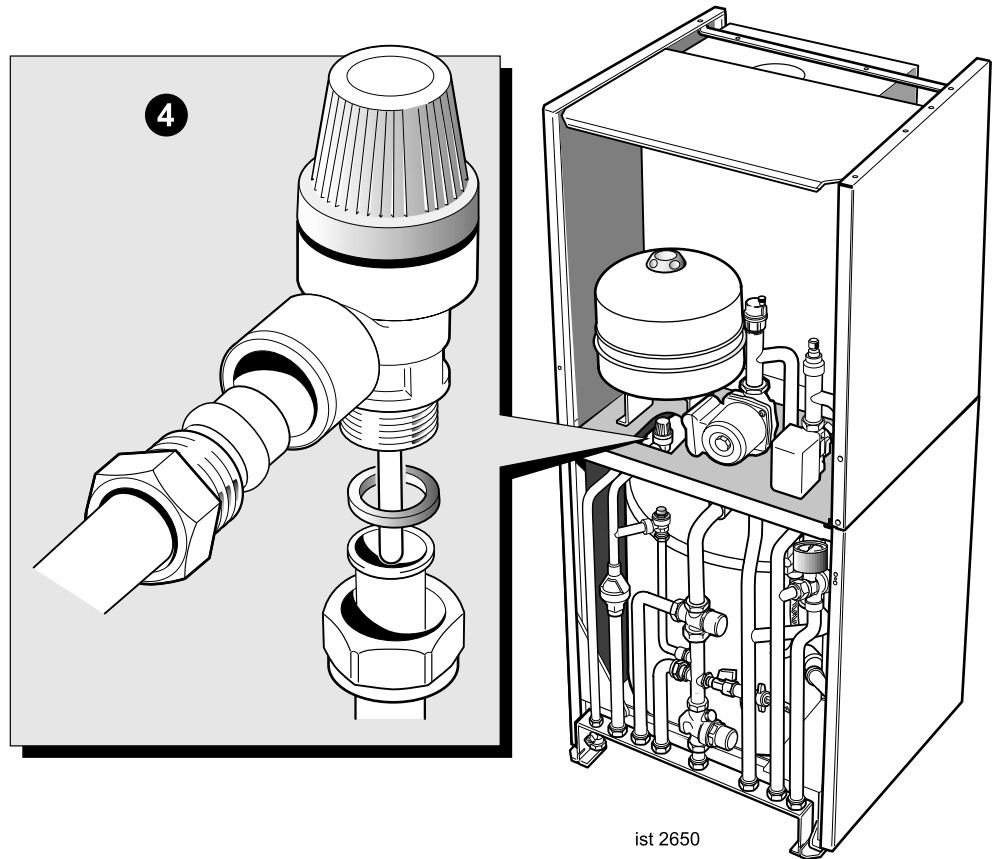


1. Remove the casing bottom panel. Refer to Frame 50 .
2. Drain the cylinder. Refer to Frame 83.
3. Remove the valve.
4. Fit the new relief valve.
5. Reassemble in reverse order.
6. Check operation of the boiler. Refer to Frame 45.

SERVICING

80 TEMPERATURE & PRESSURE RELIEF VALVE REPLACEMENT

1. Refer to Frame 50 & 51.
2. Remove the DHW expansion vessel. Refer to Frame 53.
3. Drain the cylinder. Refer to Frame 83.
4. Remove the control box fixing screws and slide the box to enable the valve to be removed through the cutout in the boiler module base plate.
5. Remove the valve.
6. Fit the new relief valve.
7. Reassemble in reverse order.
8. Check operation of the boiler. Refer to Frame 45.



80 BOILER AUTOMATIC AIR VENT REPLACEMENT

1. Refer to Frame 50.
2. Remove the sealing panel. Refer to Frames 53.
3. Drain the boiler. Refer to Frame 82.
4. Remove the turret from the boiler. Refer to Frame 23.
5. Release the silicon tubing from the sample point.
6. Release the electrical connections from the flue thermistor.
7. Release the electrical connections from the spark generator.
8. Remove the M5 nut retaining the flue casting spring clip and remove the spring clip.
9. Undo the 2 M5 x 10 flue spring clip retaining bracket screws and remove the bracket.
10. Remove the M5 x 10 screw retaining the flue casting.
11. Remove the flue casting.
12. Unscrew the air vent from the extension pipe on the boiler boss.
13. Fit the new air vent, complete with 'O' ring provided, and reassemble in reverse order.

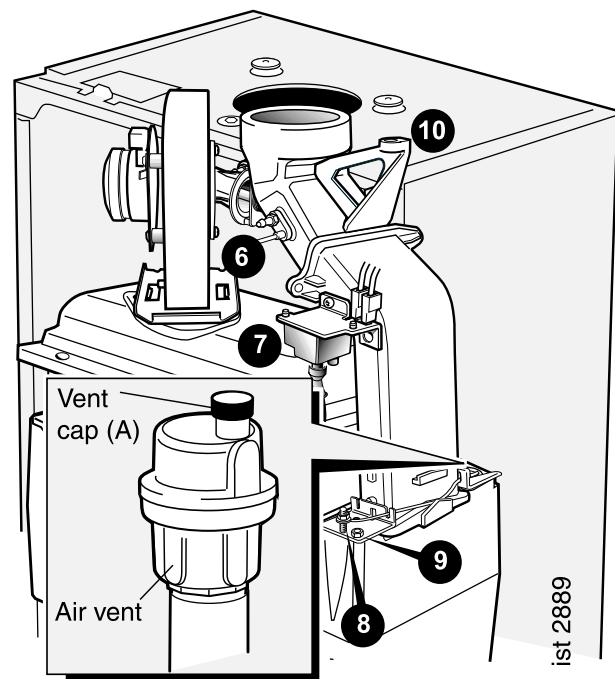
Note. *In the event that the extension pipe is removed at the same time as the air vent, remove it from the air vent and refit it into the heat exchanger before fitting the new air vent, ensuring that its 'O' ring seal is in place.*

IMPORTANT.

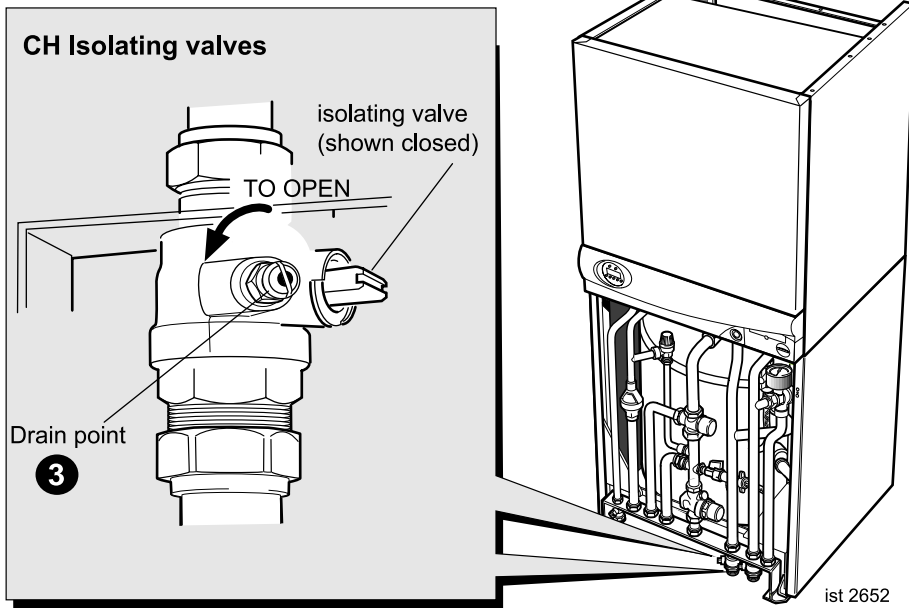
Ensure that the vent cap (A) is loose.

14. Refill the boiler. Refer to Frame 29.

15. Check the operation of the boiler. Refer to Frame 50.

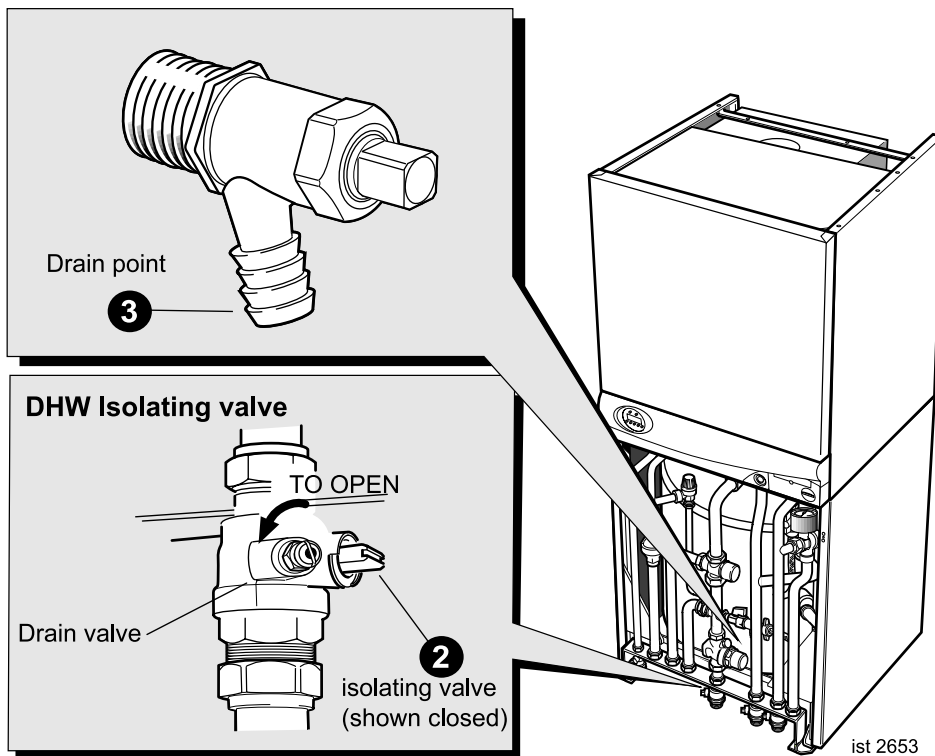


82 DRAINING THE BOILER



1. Refer to frame 50.
2. Close all the water isolating valves on the piping frame.
3. Attach a length of hose to the drain point and open the drain valve.
4. After replacing any component on the boiler, close the drain valve, remove the hose and open all system isolating valves before proceeding to check operation of the boiler.

83 DRAINING THE CYLINDER

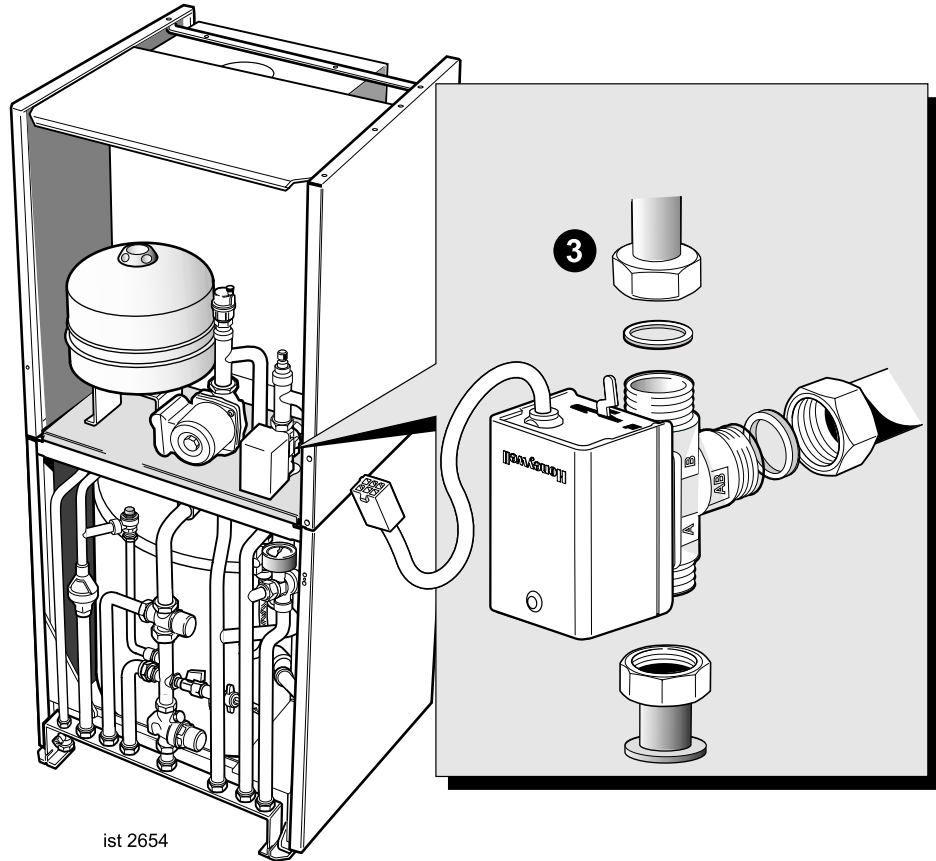


1. Refer to Frame 50.
2. Close the DHW isolating valves on the piping frame.
3. Attach a length of hose to the drain point and open the drain valve.

After replacing any component on the tank close the drain valve, remove the hose and open all DHW isolating valves before proceeding to check operation of the boiler.

84 DIVERTER VALVE MECHANISM REPLACEMENT

1. Refer to Frame 50 & 51.
2. Drain the boiler. Refer to Frame 82.
3. Undo the 3 union nuts securing the valve body and remove valve.
4. Replace the valve using new fibre washers on the union nuts.
5. Replace the actuator head and reconnect the electrical lead.
6. Refill and check the operation of the boiler.



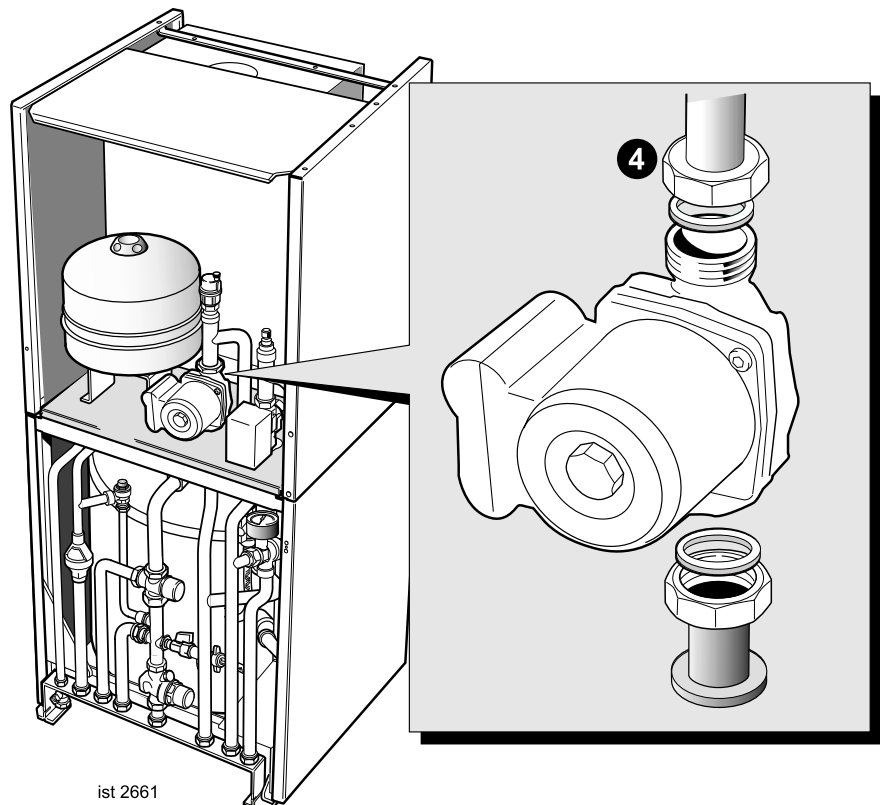
ist 2654

85 PUMP REPLACEMENT

1. Refer to Frame 50 & 51 .
2. Drain the boiler. Refer Frame 82.
3. Disconnect the electrical lead from the pump head.
4. Undo the 2 union nuts on the pump and remove the pump.
5. Replace the pump using new sealing washers on the pump union connections
6. Reconnect the electrical lead.
7. Refill and check the operation of the boiler and pump.

Note.

Ensure pump speed switch is set to speed 3.



ist 2661

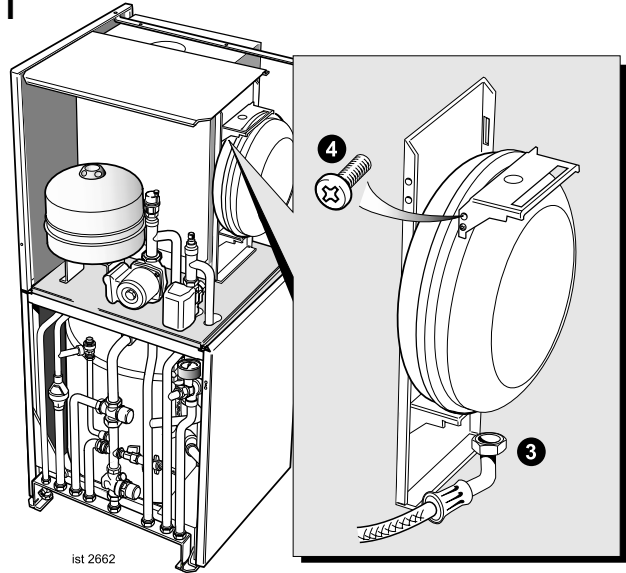
SERVICING

86 CH EXPANSION VESSEL REPLACEMENT

1. Refer to Frame 50 & 51.
2. Drain the boiler. Refer to Frame 82.
3. Undo the union nut on the vessel water connection pipe.
4. Remove the screw and remove the securing clamp.
5. Remove the expansion vessel.
6. Fit the new expansion vessel.
7. Re-assemble in reverse order.
9. Check operation of the boiler. Refer to Frame 45.

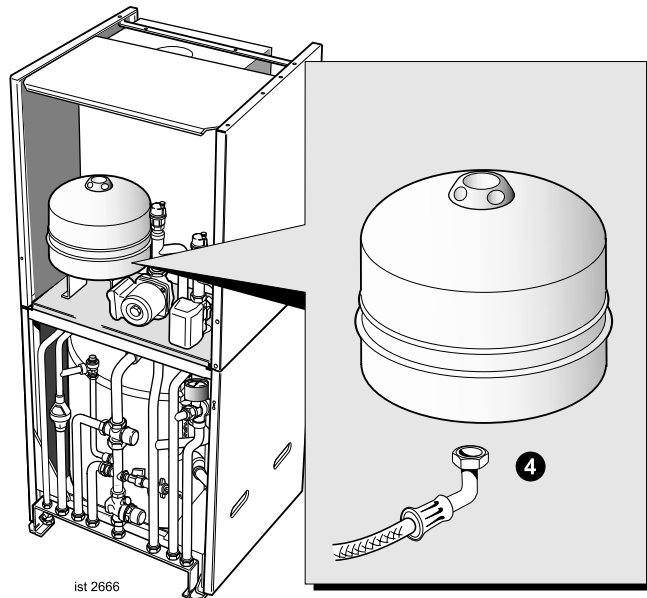
Note.

If preferred, and for convenience, a new expansion vessel may be installed elsewhere in the heating system providing it ensures equivalent system protection.



87 DHW EXPANSION VESSEL REPLACEMENT

1. Refer to Frame 50 & 51 .
2. Close the DHW inlet valve on the piping frame.
3. Release the DHW pressure by opening a hot tap.
4. Undo the union nut on the DHW expansion vessel.
5. Slacken backnut and remove the expansion vessel from its bracket.
6. Fit the new expansion vessel.
7. Re-assemble in reverse order.

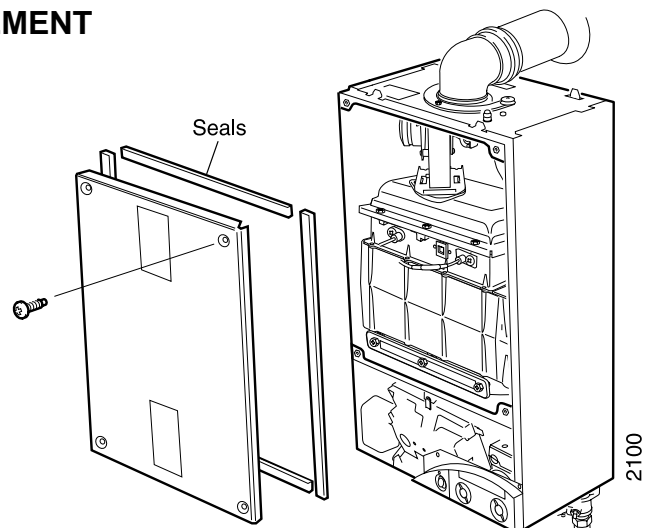


88 BOILER SEALING PANEL SEAL REPLACEMENT

1. Refer to Frames 50 & 53.
2. Remove the old seal from the casing and thoroughly clean the casing surfaces.
3. Fit the new adhesive seals, note that they are supplied to the correct length for the relevant sides.
4. Reassemble in reverse order.

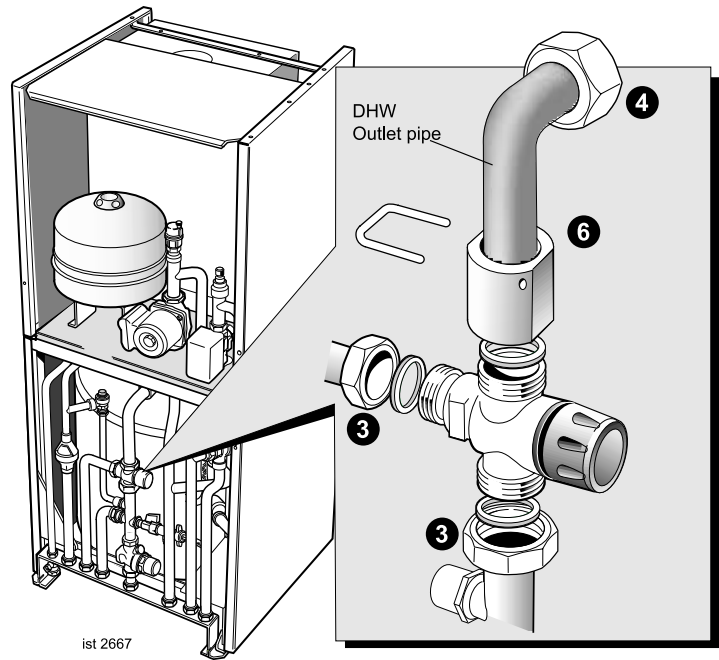
Note. Ensure that the boiler sealing panel is correctly sealed, compressing the seal to make an airtight joint.

5. Check operation of the boiler.



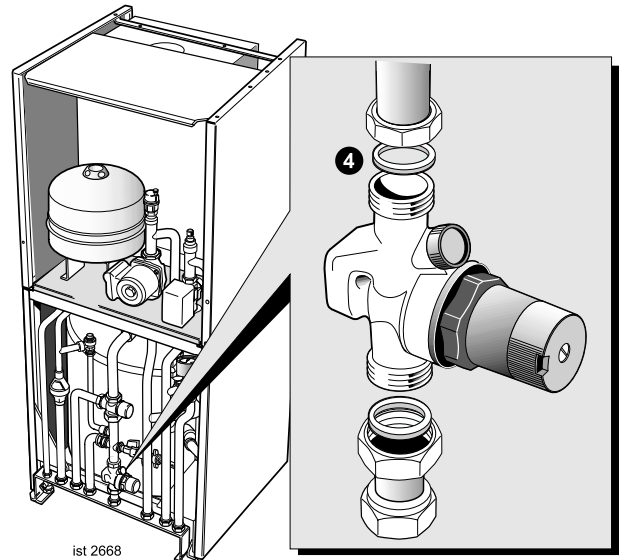
89 THERMOSTATIC MIXER VALVE REPLACEMENT

1. Refer to Frame 50.
2. Drain the cylinder. Refer to Frame 83
3. Undo the 2 union nuts on the mixer valve.
4. Undo the nut on the DHW outlet on the cylinder.
5. Remove the mixer valve complete with the DHW outlet pipe.
6. Remove the clip from the brass fitting and transfer the brass fitting to the new mixer valve (hot water inlet side).
7. Fit the DHW outlet pipe to the brass fitting and clip in place taking care to ensure the 'O' ring is fitted.
8. Replace the mixer valve assembly to the cylinder using new sealing washers on the union connections.
9. Check the DHW delivery temperature and set to the customer requirements.



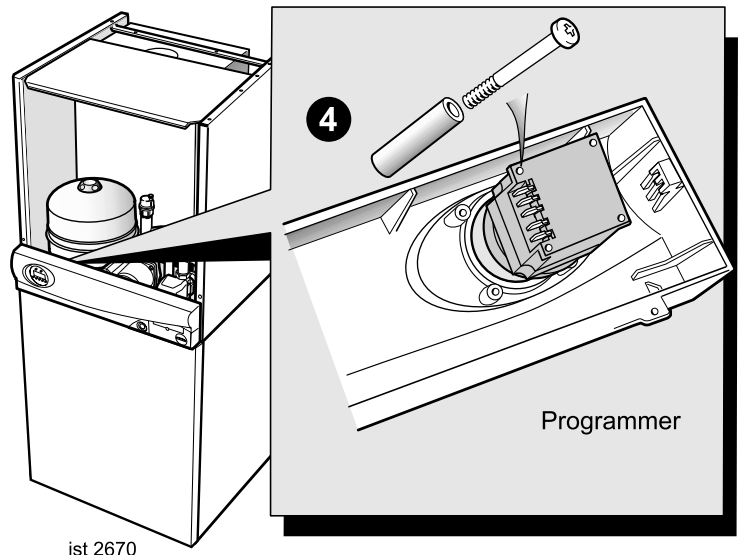
90 INLET WATER GOVERNOR REPLACEMENT

1. Refer to Frame 50.
2. Close the DHW inlet valve on the piping frame.
3. Undo the 2 union nuts on the governor and remove.
4. Replace the governor using new sealing washers on the union connections.
5. Open the DHW inlet valve and check the operation of the appliance.



91 PROGRAMMER REPLACEMENT

1. Refer to Frame 50 & 51.
2. Unplug the electrical connections from the programmer, taking note of their position.
3. Unscrew the 2 screws securing the programmer to the facia.
4. Fit the new programmer and ensure the spacers and washers are fitted to the screws and the electrical connections are correctly remade.
5. Reassemble and reprogramme the controls.

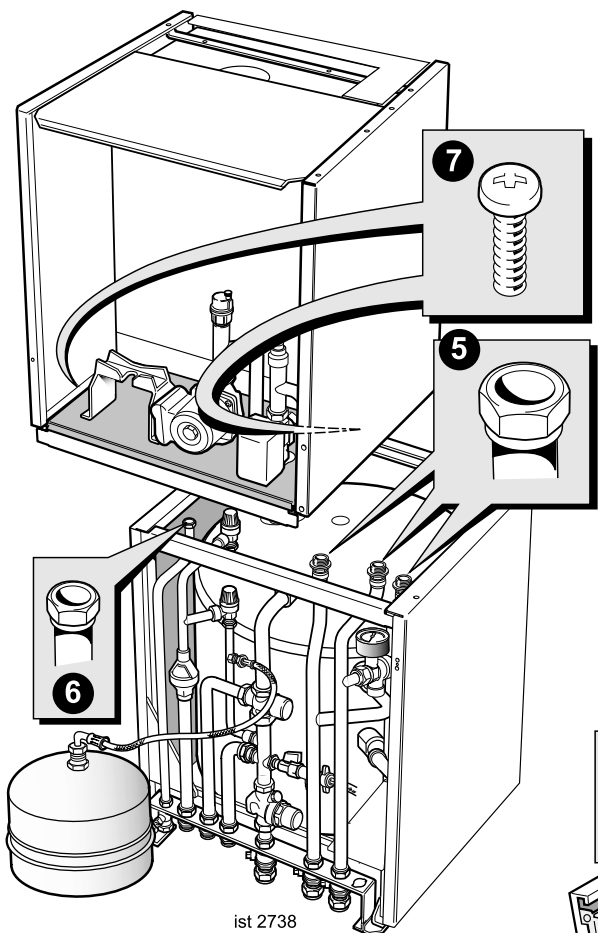


92 HEAT ENGINE REPLACEMENT

Refer also to Frame 7 - 'Boiler exploded view'.

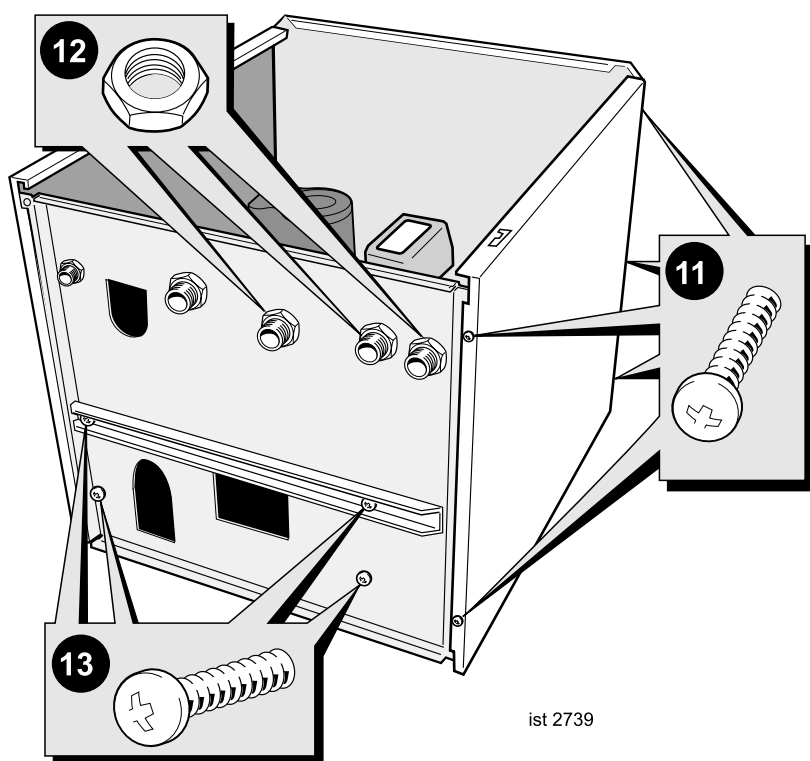
To replace the heat exchanger it is necessary to separate the boiler module from the tank module.

1. Remove the front panels. Refer to Frames 50 and 51.
2. Drain the boiler. Refer to Frame 82.
3. Remove the DHW expansion vessel. Refer to Frame 53.
4. Remove the control box. Refer to Frame 73.
5. Undo the 3 water connections joining the boiler module to the tank module.
6. Undo the gas connection.
7. Undo the 2 screws securing the boiler module to the tank module.



8. Release the flue from the flue turret.
9. Remove the turret from the boiler.
10. Lift the boiler module off the tank module. Remove the back panel and place on its back.
11. Remove 3 top and 2 bottom screws on each side panel to remove side and top panels.
12. Undo the 3 back nuts on the water connection and the back nut on the gas connection.
13. Undo the 4 screws securing the bottom panel to the boiler and remove the panel.
14. Undo the CH expansion vessel hose from the return pipe. Refer to Frame 93.

15. Using a suitable tool undo the push fit connections from the flow and return pipes of the boiler removing the pump assembly and the diverter valve assembly.
16. Remove the fan / venturi assembly and place on one side. Refer to Frame 62.
17. Remove the burner and store safely. Refer Frame 64.
18. Remove the ignition and detection electrodes. Refer to Frames 66 and 67.
19. Unscrew and remove the automatic air vent complete with the adapter.
20. Release the M5 nut retaining the flue casting spring clip and remove the spring clip.
21. Remove the M5 x 10 screw retaining the flue casting.
22. Release the silicone tubing from the sampling point.
23. Release the electrical connection to the flue sensor.
24. Undo the 2 M5 x 10 flue spring clip retaining bracket screws and remove the bracket.
25. Remove the flue.
26. Remove the edge clip securing the flue sensor wiring.
27. Remove the blind grommet to gain access to the return pipe securing bracket.
28. Undo the M5 screw and remove the return pipe securing bracket by sliding forwards.
29. Remove the securing pin to release the return pipe.
30. Undo the 2 M5 screws securing the interpanel to the back panel.
31. Slide the heat engine and interpanel assembly upwards to disengage and remove from the casing complete with the return pipe.
32. Undo the 2 M6 countersunk screws, remove the



93 HEAT ENGINE REPLACEMENT - continued

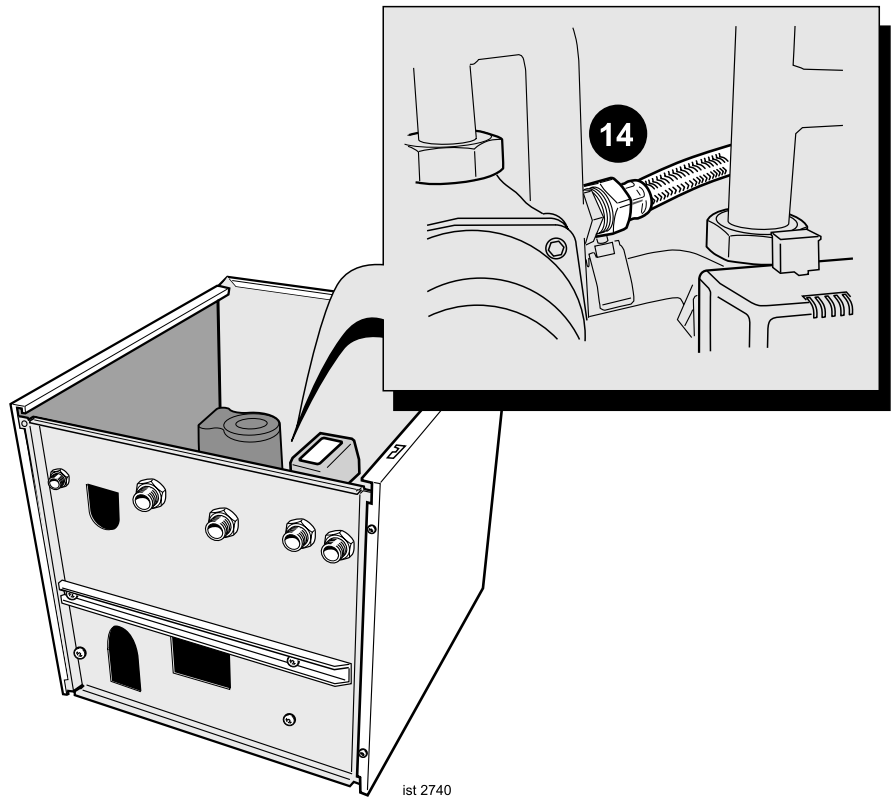
interpanel and transfer to the new heat engine.

33. Undo the M5 screw and remove the flow pipe securing bracket.
34. Remove the flow pipe and transfer to the new heat engine.
35. Reassemble in reverse order, replacing gaskets or seals if any sign of damage or deterioration is evident.

Note.

The heat engine is supplied with new combustion chamber insulation boards. These should be fitted (refer to Frame 68) before the burner and fan / venturi assembly and before the ignition and detection electrodes are replaced.

36. Check operation of the boiler. Refer to Frame 45.



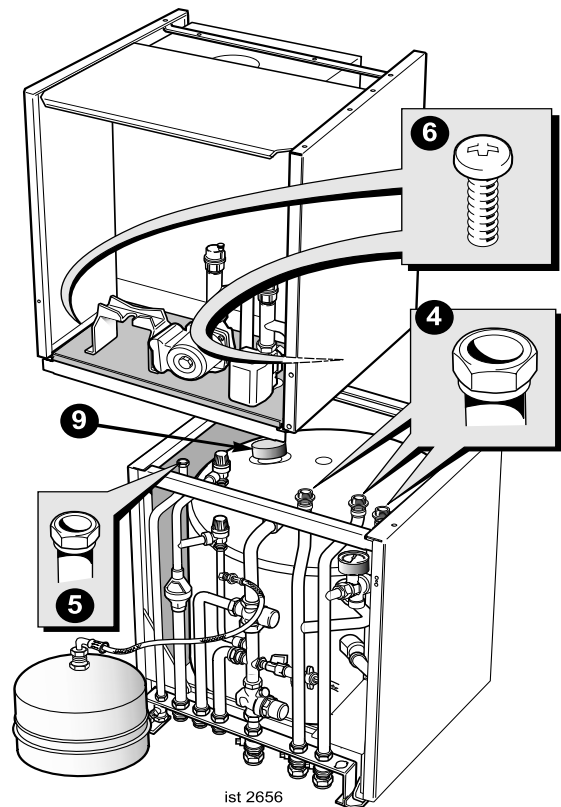
94 IMMERSION HEATER REPLACEMENT

Note.

To replace the immersion heater it is necessary to lift the boiler module off the tank module to gain access for removal.

The replacement immersion heater must be fitted with a thermal cut out.

1. Refer Frame 50 & 51.
2. Drain the cylinder. Refer Frame 83.
3. Drain the boiler. Refer Frame 82.
4. Undo the 3 water connections joining the boiler module to the tank module.
5. Undo the gas connection.
6. Undo the 2 screws securing the boiler module to the tank module.
7. Release the flue from the flue turret.
8. Lift the boiler module off the tank and place on its back.
9. Undo the immersion heater from the cylinder, fit the new one ensuring the seal is in place and electrical connections are re-made.
10. Reassemble the appliance in reverse order.



FAULT FINDING

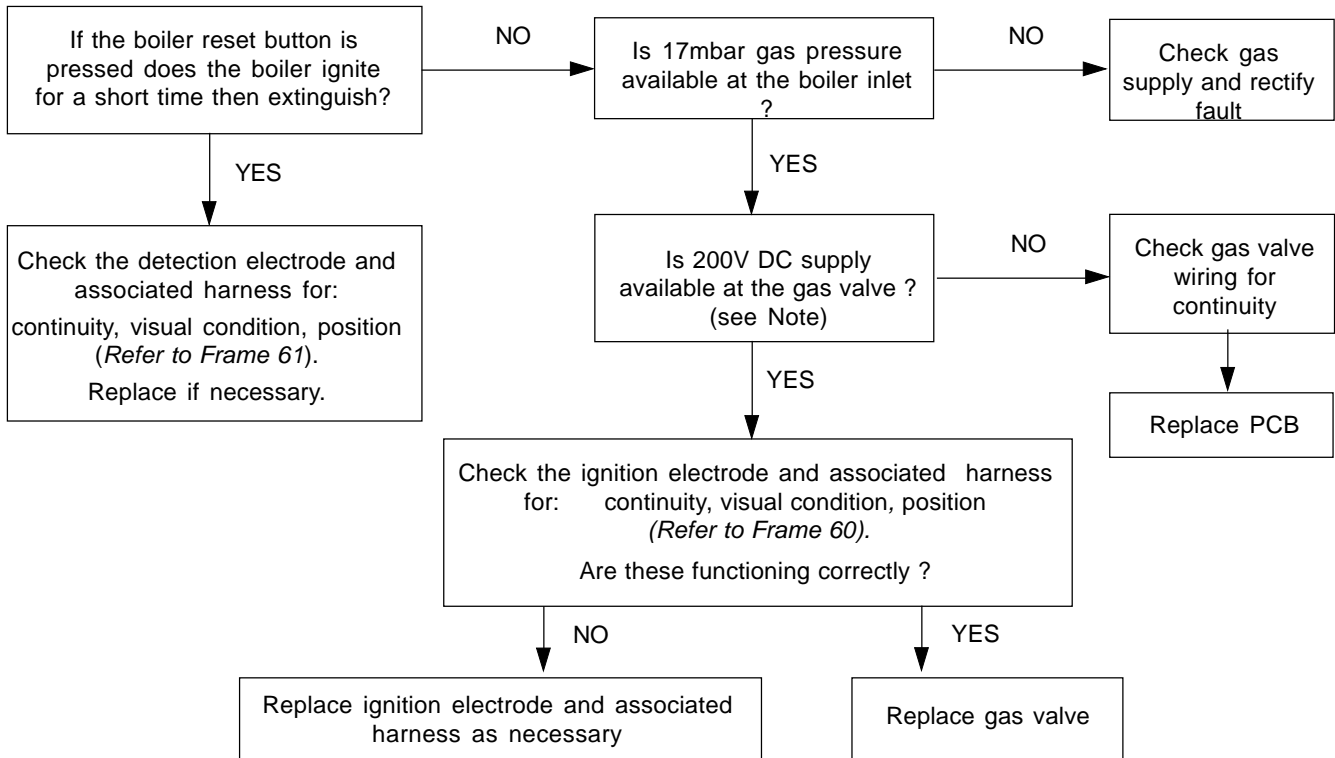
95 FAULT FINDING CHART MAIN MENU

In order to assist fault finding, the boiler has an LED diagnostic display. The key to the display codes is as follows:

ALTERNATING 'L' 'F'	GO TO FRAME 96
ALTERNATING 'L' 'E'	GO TO FRAME 97
ALTERNATING 'L' 'A'	GO TO FRAME 98
ALTERNATING 'L' '8'	GO TO FRAME 99
ALTERNATING 'H' '1'	GO TO FRAME 100
ALTERNATING 'H' '2'	GO TO FRAME 101
ALTERNATING 'H' '3'	GO TO FRAME 102
ALTERNATING 'H' '4'	GO TO FRAME 103
ALTERNATING 'H' 'F'	GO TO FRAME 104
ALTERNATING 'H' 'n'	GO TO FRAME 105
ALTERNATING 'H' 'E'	GO TO FRAME 97

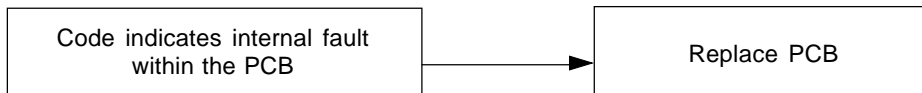
FAULT FINDING

96 L.....F..... (FLAME DETECTION)



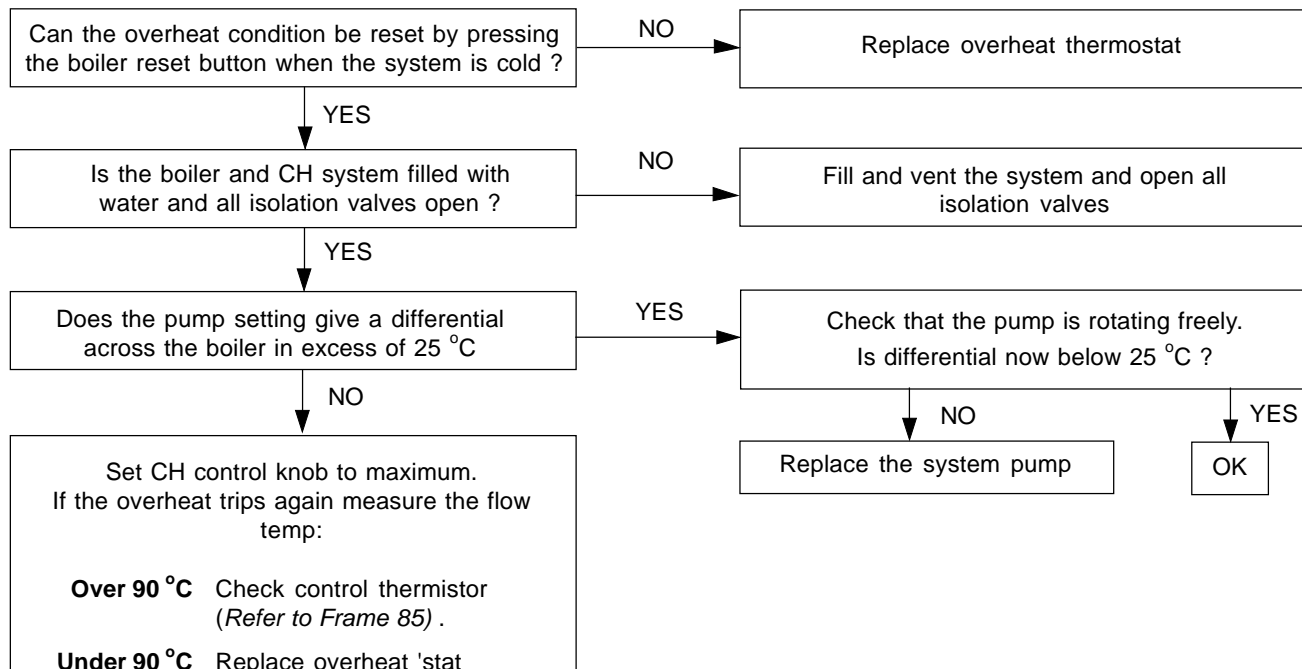
Note. Due to the wave form of the rectified voltage, the reading will vary depending on the type of meter used to measure the value (some may measure the possible peak voltage of 339V). In general terms a reading greater than 150V indicate that the correct voltage is supplied to the gas valve.

97 L.....E or H.....E..... (PCB)

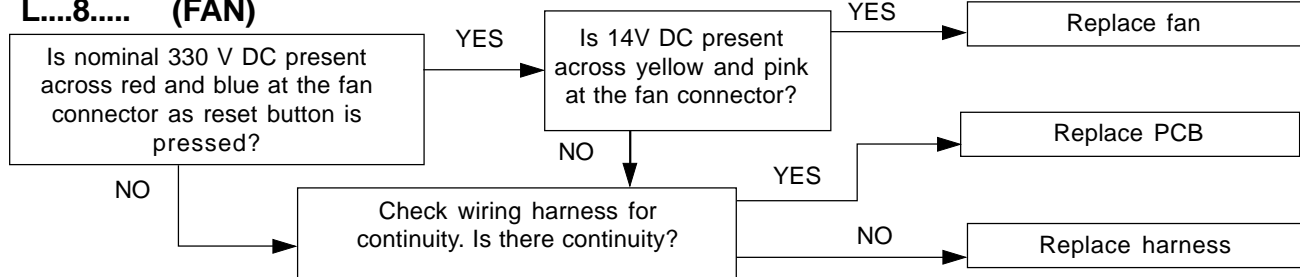


FAULT FINDING

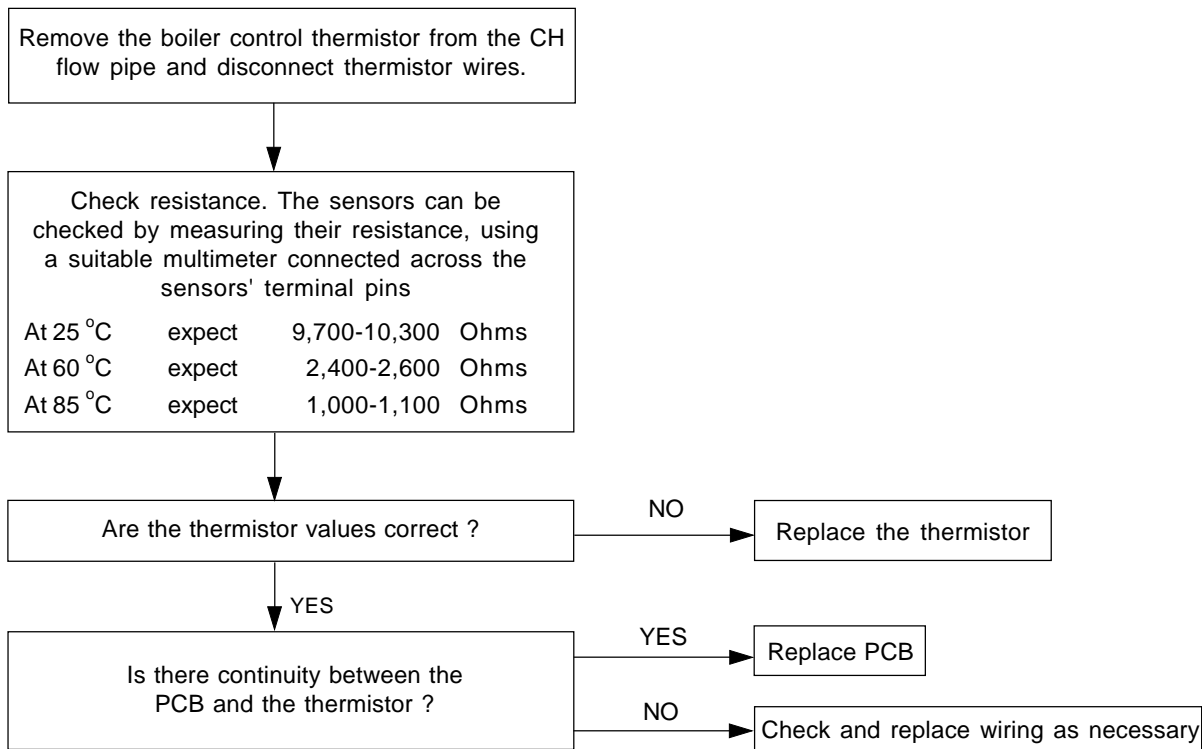
98 L.....A..... (OVER HEAT SENSOR)



99 L....8..... (FAN)

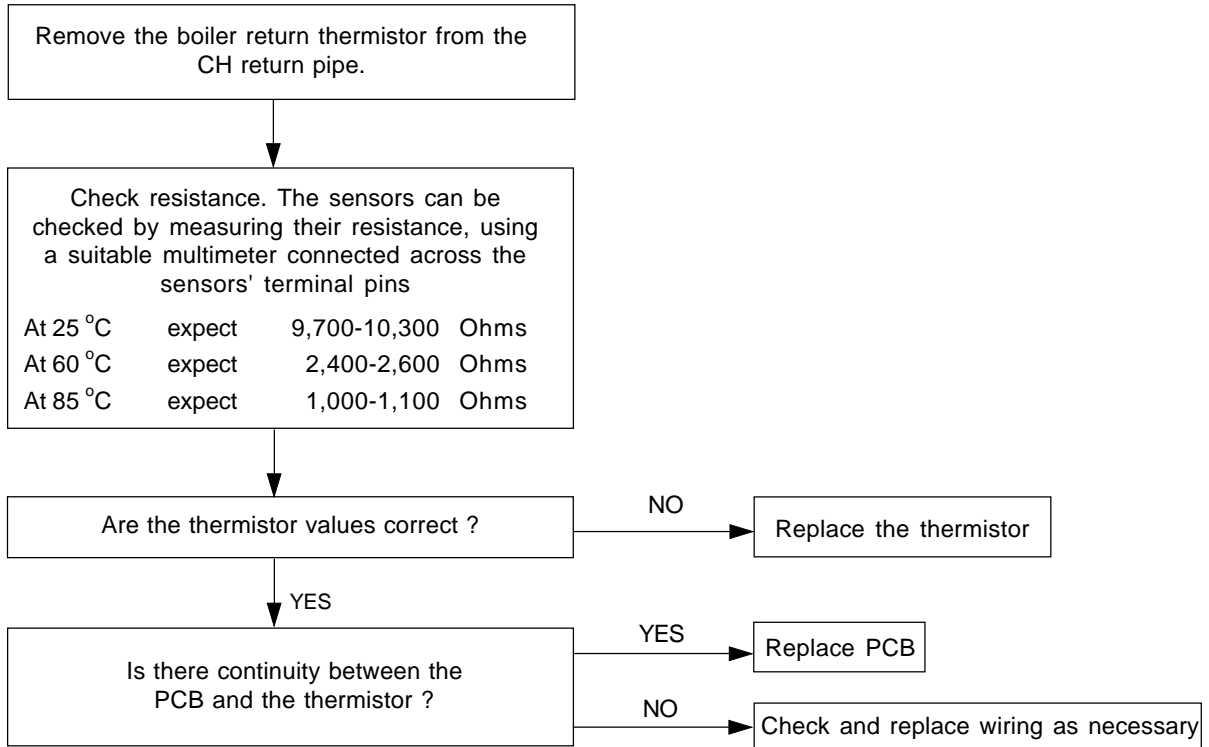


100 H.....1..... (CONTROL TEMPERATURE SENSOR)

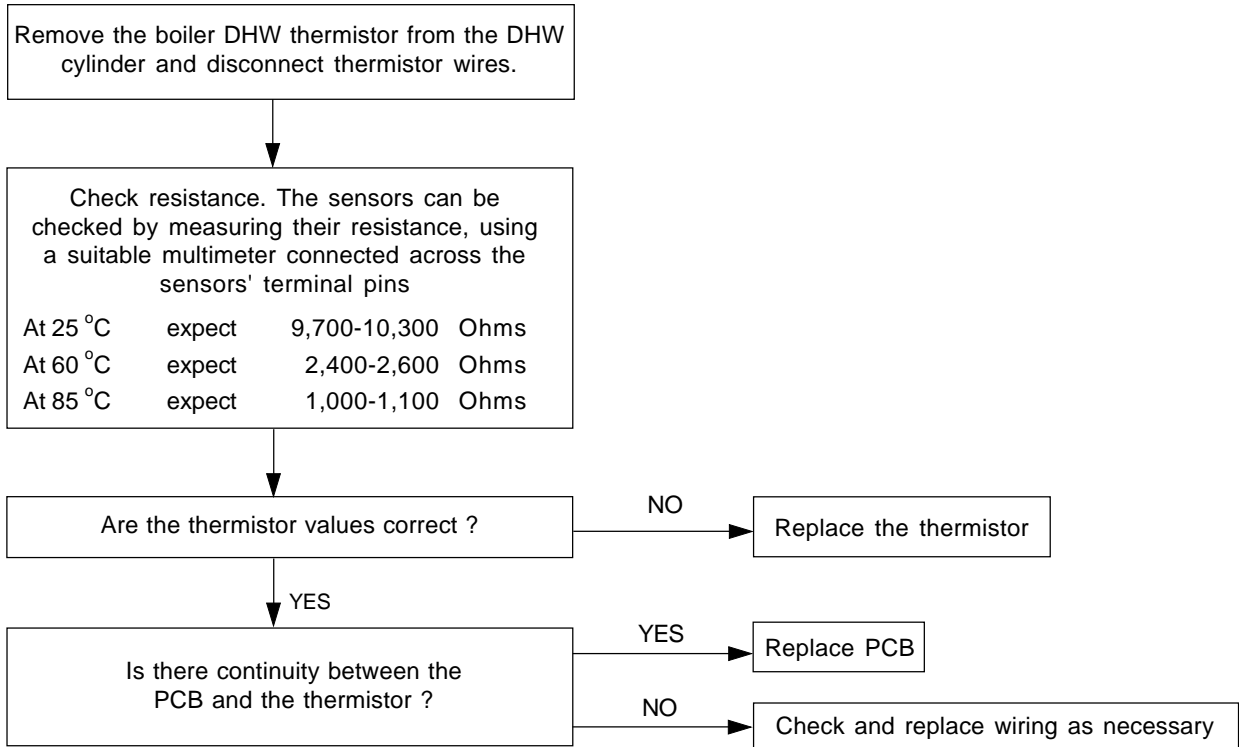


FAULT FINDING

101 H.....2..... (RETURN TEMPERATURE SENSOR)

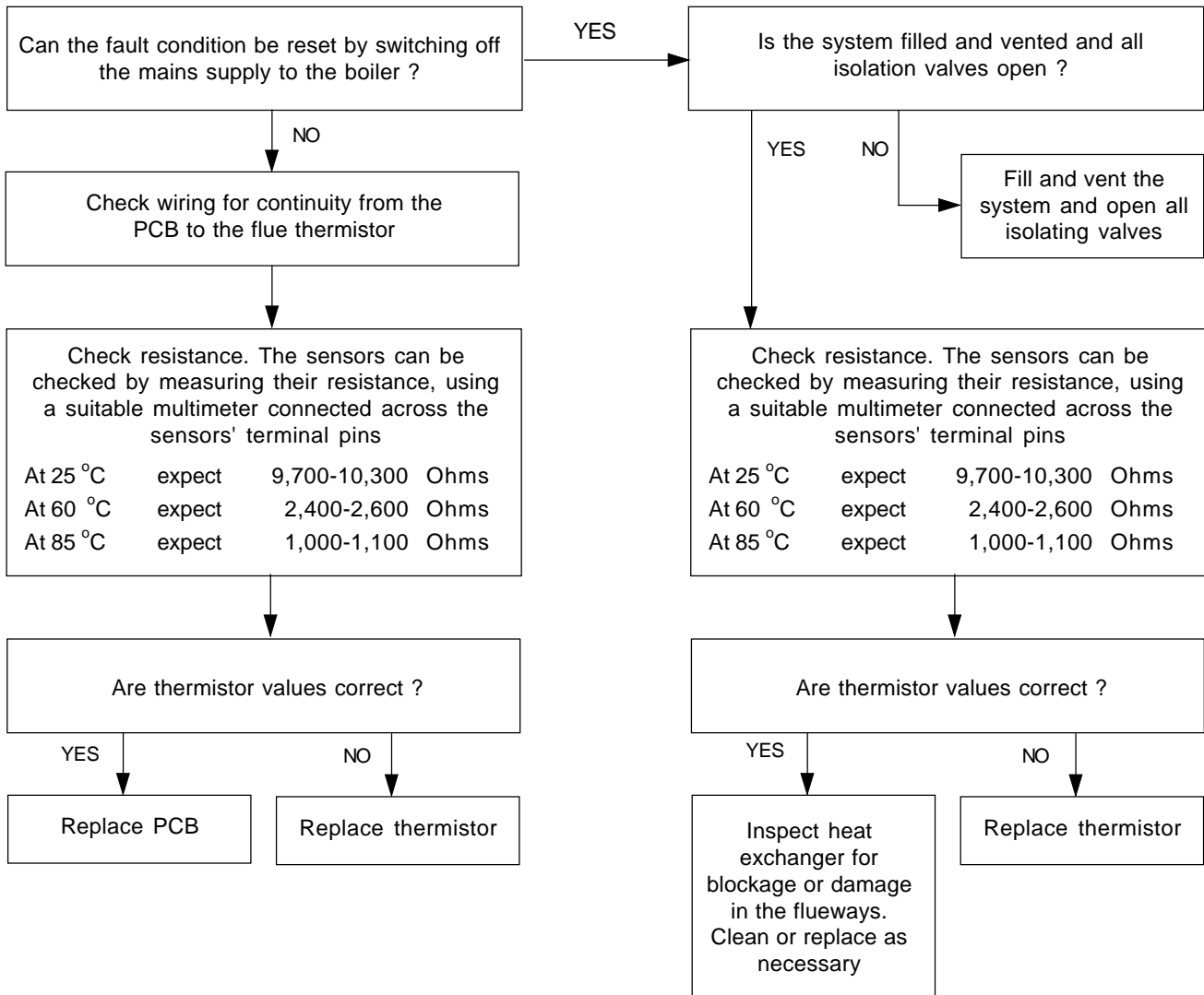


102 H.....3..... (DHW TEMPERATURE SENSOR)

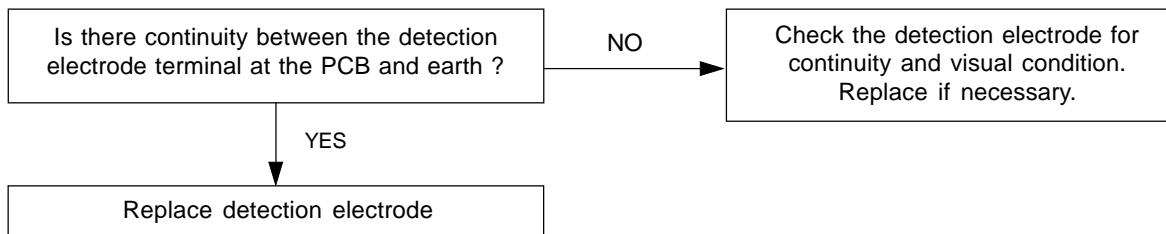


FAULT FINDING

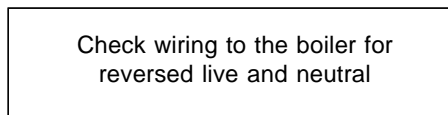
103 H.....4..... (FLUE SENSOR)



104 H.....F..... (FLAME DETECTION)



105 H.....n..... (PHASE REVERSAL)



SHORT LIST OF PARTS

The following are parts commonly required due to damage or expendability. Their failure or absence is likely to affect safety or performance of this appliance.

The list is extracted from the British Gas List of Parts, which contains all available spare parts.

The full lists is held by British Gas Services, **Caradon Ideal Limited** distributors and merchants.

When ordering spares please quote:

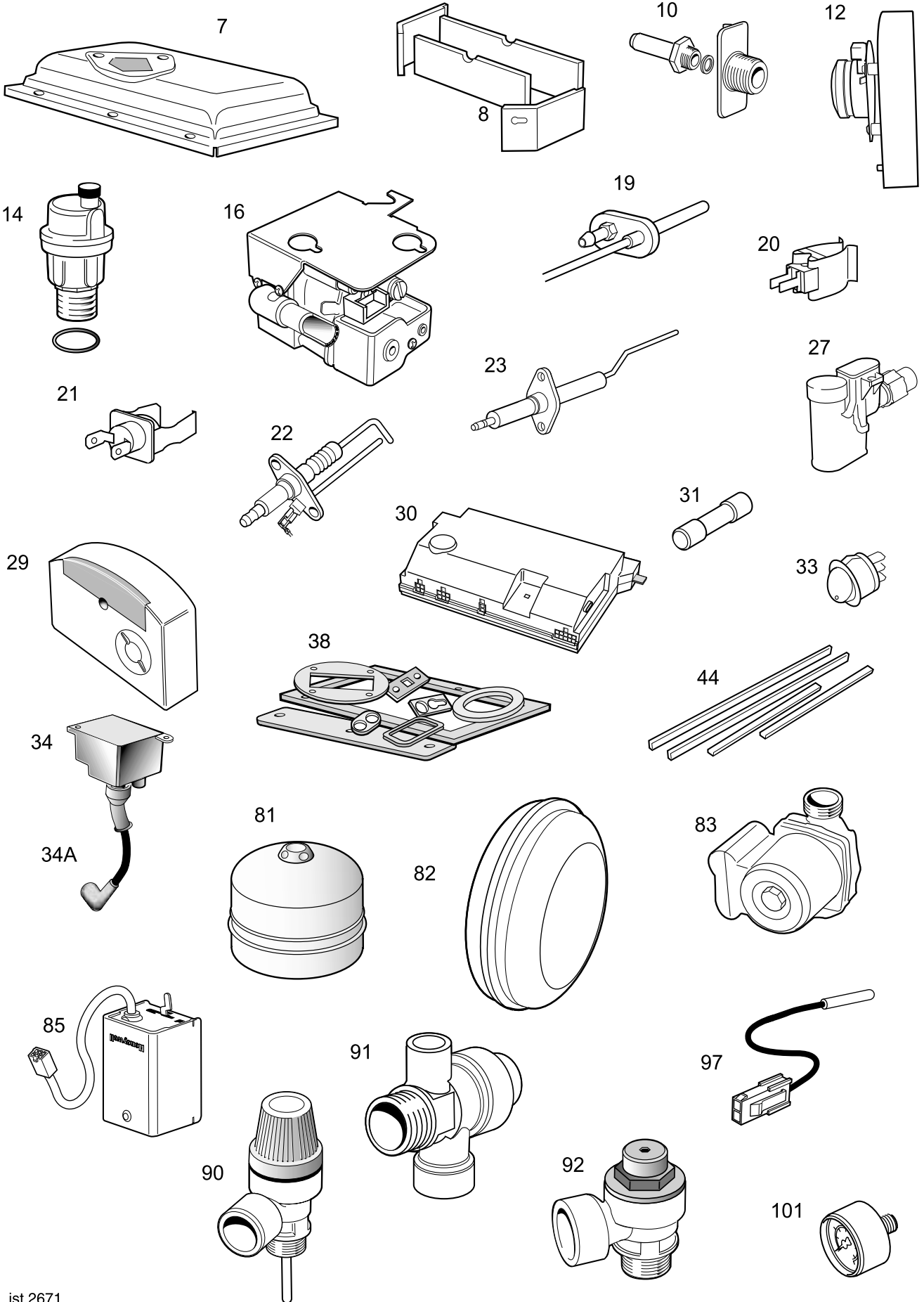
1. Boiler model - istor HE260, HE325.
2. Appliance G.C. Nos.
HE260 41-394-13, HE325 41-394-14.
3. Description.
4. Quantity.
5. Product number.

When replacing any part on this appliance, use only spare parts that you can be assured conform to the safety and performance specification that we require. Do not use reconditioned or copy parts that have not been clearly authorised by Ideal Boilers.

Key No.	G.C. Part No.	Description	Qty.	Product Number
7	E67-489	Burner	1	170 905
8		Combustion chamber insulation	1	173 520
10	E67-492	Injector and housing	1	170 908
12		Fan assembly	1	172 625
14	E69-286	Automatic air vent	1	170 988
16		Gas control valve Honeywell VK4115V	1	173 151
19	E67-500	Flue thermistor	1	170 916
20	E67-501	Control/Return thermistor	2	170 917
21	E67-502	Overheat thermostat	1	170 918
22		Ignition electrode	1	173 528
23		Flame detection electrode	1	173 529
27	E67-511	Condensate 'S' trap	1	170 926
29		User control (display unit)	1	173 160
30		PCB primary controls (includes plastic housing)	1	170 930
31	E67-519	Fuse PCB (T3.15AT L250V)	1	170 931
33		Mains switch	1	173 161
34		Spark generator	1	173 538
34A		Ignition lead	1	173 510
38	E67-527	Gasket kit (servicing)	1	170 938
44	E68-376	Seal kit (sealing panel)	1	171 014
81		DHW expansion vessel	1	173 193
82		CH expansion vessel	1	173 194
83		Pump	1	173 195
85		Diverter valve complete	1	173 197
90		Temp & pressure relief valve	1	173 202
91		CH pressure relief valve	1	173 203
92		DHW pressure relief valve	1	173 204
97		Thermistor cylinder	1	173 209
101		Pressure gauge	1	173 213

SHORT LIST OF PARTS

106 SHORT PARTS LIST

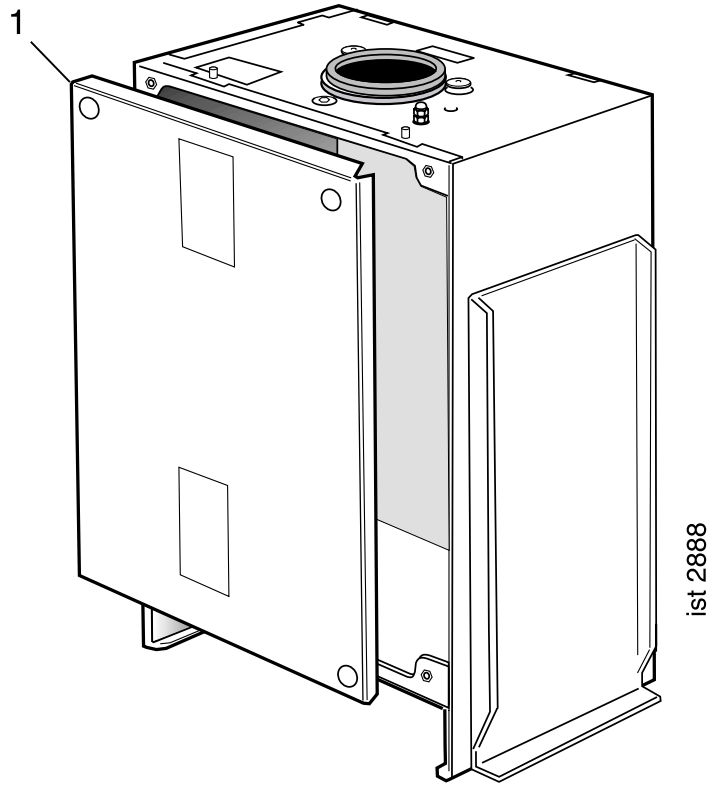


ist 2671

SHORT LIST OF PARTS

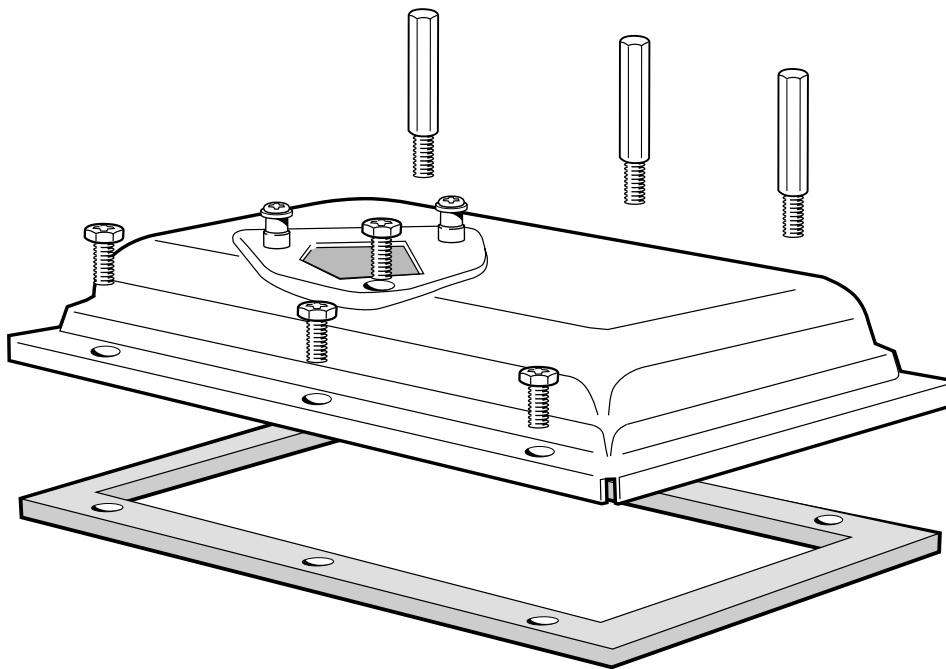
107 BOILER CASING ASSEMBLY

1. Sealing panel with screws.



108 BURNER ASSEMBLY

7. Burner assembly with screws and gasket.





*The code of practice for the installation,
commissioning & servicing of central heating systems*

Technical Training

The Ideal Boilers Technical Training Centre offers a series of first class training courses for domestic, commercial and industrial heating installers, engineers and system specifiers.

For details of courses please ring: 01482 498 432



CERTIFIED PRODUCT

Manufactured under a BS EN ISO 9001:
1994 Quality System accepted by BSI

Ideal Boilers, P.O. Box 103, National Ave, Kingston upon Hull,
HU5 4JN. Telephone: 01482 492 251 Fax: 01482 448 858.
Registration No. London 322 137.

Caradon Ideal Limited pursues a policy of continuing
improvement in the design and performance of its products.
The right is therefore reserved to vary specification without
notice.



i Ideal BOILERS
ENGINEERED FOR PEACE OF MIND

Caradon
Ideal Limited

Ideal Installer/Technical Helpline: 01482 498 663
www.idealboilers.com

users guide

istor

Your Ideal users guide

HE260, HE325

For installation guide see reverse of book

When replacing any part on this appliance, use only spare parts that you can be assured conform to the safety and performance specification that we require. Do not use reconditioned or copy parts that have not been clearly authorised by Ideal

i BOILERS
Ideal
ENGINEERED FOR PEACE OF MIND

istor HE260 & HE325 (Natural Gas Only)

G.C. Appliance No. see page 3 in installation section

Destination Countries: GB, IE

Introduction

The **istor HE260 & HE325** are fully automatically controlled, condensing, system store, fan flued boilers.

Due to the high efficiency of the boiler, condensate is produced from the flue gases and this is drained to a suitable disposal point through the plastic waste pipe at the lower rear of the boiler. A condensate 'plume' will also be visible at the flue terminal.

The **istor** is a system store boiler providing both central heating and domestic hot water.

Safety

Current Gas Safety (Installation & Use) Regulations or rules in force.

In your own interest, and that of safety, it is the law that this boiler must be installed by a CORGI registered installer, in accordance with the above regulations.

It is essential that the instructions in this booklet are strictly followed, for safe and economical operation of the boiler.

Electricity Supply (boiler)

This appliance must be earthed.

Supply: 230 V ~ 50 Hz. The fusing should be 3A.

Connection must be made in a way that allows complete isolation of the electrical supply such as a double-pole switch, having a 3mm (1/8") contact separation in both poles, serving only the boiler and system controls. Alternatively, a 3-pin UNSWITCHED socket may be used. The means of isolation must be accessible to the user after installation.

Electricity Supply (immersion heater)

Supply: 230 V ~ 50 Hz. The fusing should be 13A.

The immersion heater is supplied fitted to the cylinder and is intended for use as a back up heat source for DHW should the boiler fail for some reason. Optimum DHW performance will not be achieved using the immersion heater only.

All CORGI Registered Installers carry a CORGI ID card, and have a registration number. Both should be recorded in your **Benchmark** Log Book. You can check your installer by calling CORGI direct on 0156 372 300.

Wire the heater through a double-pole switch or controller, having contact separation of at least 3mm, using a cable size of at least 1.5sq. mm flexible cable, 85 °C rubber insulated HOFR Sheathed, complying with BS6141 Table 8. It MUST be fully earthed. Ensure all terminal connections are securely made. Do not however use excessive force when tightening terminals.

Important Notes

- This appliance must not be operated without the casing correctly fitted and forming an adequate seal.
- If the boiler is installed in a compartment then the compartment MUST NOT be used for storage purposes.
- If it is known or suspected that a fault exists on the boiler then it MUST NOT BE USED until the fault has been corrected by a CORGI registered installer.
- Flammable materials must not be placed in close proximity to the appliance. Materials giving off flammable vapours must not be stored in the same room as the appliance.
- Under NO circumstances should any of the sealed components on this appliance be used incorrectly or tampered with.

In cases of repeated or continuous shutdown a CORGI registered installer should be called to investigate and rectify the condition causing this and carry out an operational test. Only the manufacturers original parts should be used for replacement.

Minimum Clearances

Clearances of **165mm (6 1/2")** above, **5mm (1/4")** at the sides and **450mm (17 3/4")** at the front of the boiler casing must be allowed for servicing.

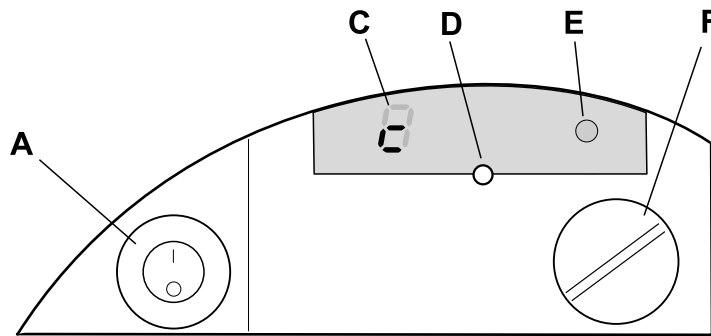
THE LOG BOOK SHOULD BE COMPLETED AFTER EACH SERVICE AND KEPT WITH THESE INSTRUCTIONS.



1 BOILER CONTROLS

Legend

- A. Boiler ON/OFF switch.
- C. Display.
- D. Reset button.
- E. LED.
- F. CH thermostat knob.



ist 2742

The minimum front clearance allowed when built into a cupboard is 5mm.

To light the boiler. Refer to Frame 1

Refer to the programmer section of these instructions to set the required programs.

1. CHECK THAT THE ELECTRICITY SUPPLY TO THE BOILER IS OFF.
2. Set the mains ON/OFF switch (A) to OFF and CH thermostat knob (F) to maximum.
3. Ensure that all DHW taps are turned off.
4. Switch ON the electricity supply to the boiler and check that all external controls, e.g. programmer, room thermostat etc., are ON.
5. Set the mains ON/OFF switch to ON.

The boiler will commence the ignition sequence, first supplying heat to preheat the domestic hot water and then to the central heating, if required.

Note. In normal operation the control unit display (G) will show codes:

- Standby - no demand for heat.
- 1 CH being supplied.
- 2 DHW being supplied to reheat the cylinder.

During ignition, the LED (E) will flash.

During normal running the LED (E) will remain illuminated.

Note. If the boiler fails to light after 3 attempts the fault code L-F will be displayed.

Press the reset button (D) for 2 seconds then release. The boiler will repeat the ignition sequence. If the boiler still fails to light consult a CORGI registered installer.

Operation

Winter conditions - i.e. CH and DHW required.

The boiler will fire and supply heat to the radiators but will give priority to DHW on demand.

The DHW will operate as described under 'Summer conditions' during periods when there is no call for CH.

Summer conditions - i.e. DHW only required.

Set the CH external controls to OFF, or turn the CH thermostat knob (F) to minimum.

The boiler will fire periodically to maintain the DHW cylinder in a preheated condition and whenever there is a demand for DHW.

Note. The pump will operate briefly as a self-check once every 24 hours, regardless of system demand.

CAUTION. To avoid the possibility of injury during the installation, servicing or cleaning of this appliance care should be taken when handling edges of sheet steel components.

Control of water temperature

Domestic Hot Water

The DHW delivery temperature is controlled by thermostatic mixer within the tank module (see illustration below).

Pull off the lower door from its locating pegs and adjust the mixer valve to the required DHW delivery temperature.

IMPORTANT

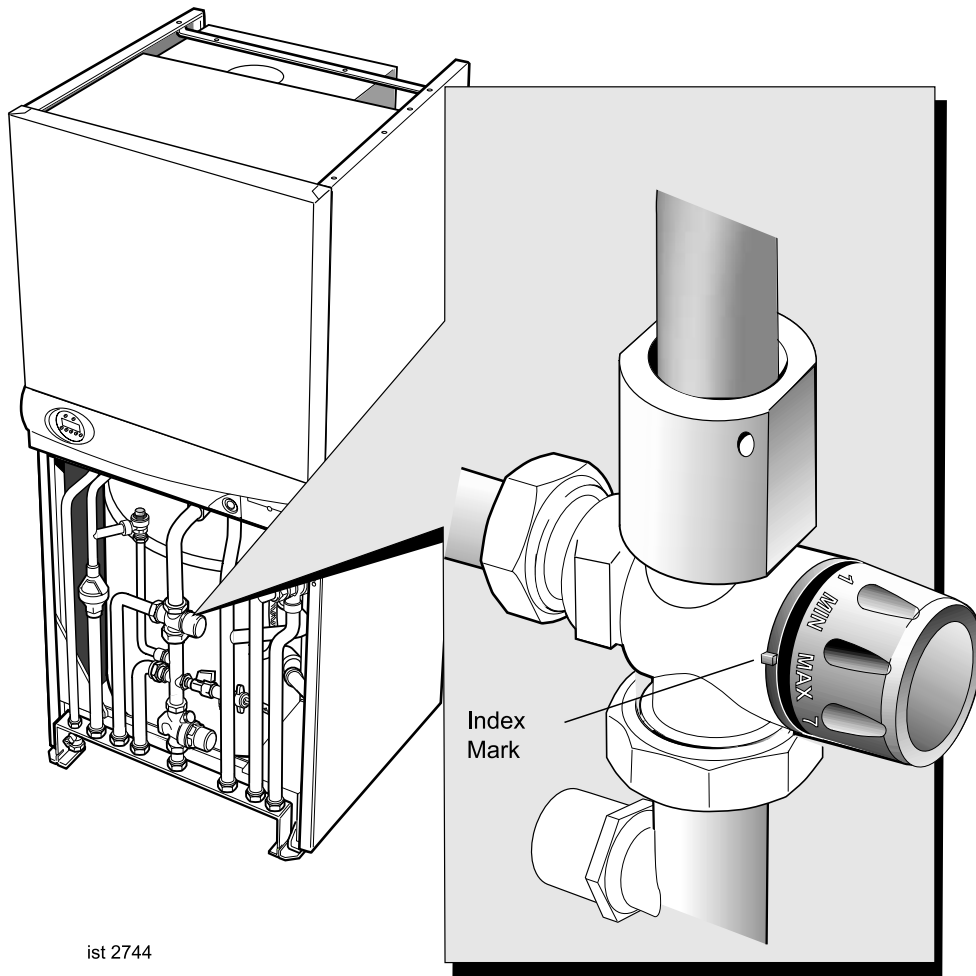
60°C is the recommended maximum temperature.

Central Heating

The boiler controls the central heating radiator temperature to a maximum of 82°C, adjustable via the CH thermostat knob (F).

Approx. flow temperatures for the boiler thermostat settings are:

Central Heating	
Knob Setting	CH Flow Temp °C (°F)
Max	82 (180)
Min	30 (86)



ist 2744

Domestic Hot Water	
Knob setting	DHW Temp °C
Min	30
1	34
2	39
3	43
4	48
5	52
6	56
7	61
Max	65

To shut down the boiler

1. For short periods

Set the mains ON/OFF switch (A) to OFF

2. For longer periods

Set the mains ON/OFF switch (A) to OFF, and switch the electricity supply to OFF. For longer periods the entire system should be drained.

To relight the boiler

Repeat the procedure detailed in 'To light the boiler'.

Frost protection

If no frost protection is provided and frost is likely during a short absence from home, leave the heating controls (if fitted) at a reduced temperature setting. For longer periods, the entire system should be drained.

If the system includes a frost thermostat then, during cold weather, the boiler should be turned OFF at the time switch (if fitted) ONLY. The mains supply should be left switched ON, with the boiler thermostat left in the normal running position.

Boiler overheat thermostat

This thermostat will shut down the boiler in the event of overheating. Should this occur a fault code $L \bar{H}$ will be displayed. Press the reset button (D) and the boiler will relight.

If the fault recurs, turn off the boiler and consult a CORGI registered installer.

Flame failure

Should this occur a fault code $L-F$ will be displayed. Press the rest button (D) and the boiler will relight. If the fault recurs, turns off the boiler and consult a CORGI registered installer.

Loss of system water pressure

The gauge (see illustration below) indicates the central heating system pressure. If the pressure is seen to fall below the original installation pressure of 1-2 bar over a period of time then a water leak is indicated. In this event a CORGI registered installer should be consulted.

DO NOT FIRE THE BOILER IF THE PRESSURE HAS REDUCED TO ZERO FROM THE ORIGINAL SETTING.

Condensate Drain

The condensate drain must not be modified or blocked.

Blockage of the condensate drain, caused by debris or freezing, can cause automatic shutdown of the boiler.

If freezing is suspected and the pipe run is accessible an attempt may be made to free the obstruction by pouring hot water over the exposed pipe and clearing any blockage from the end of the pipe. If this fails to remedy the problem the assistance of a CORGI registered installer should be sought.

Escape of gas

Should a gas leak or fault be suspected contact your local gas supplier without delay.

Do NOT search for gas leaks with a naked flame.

Cleaning

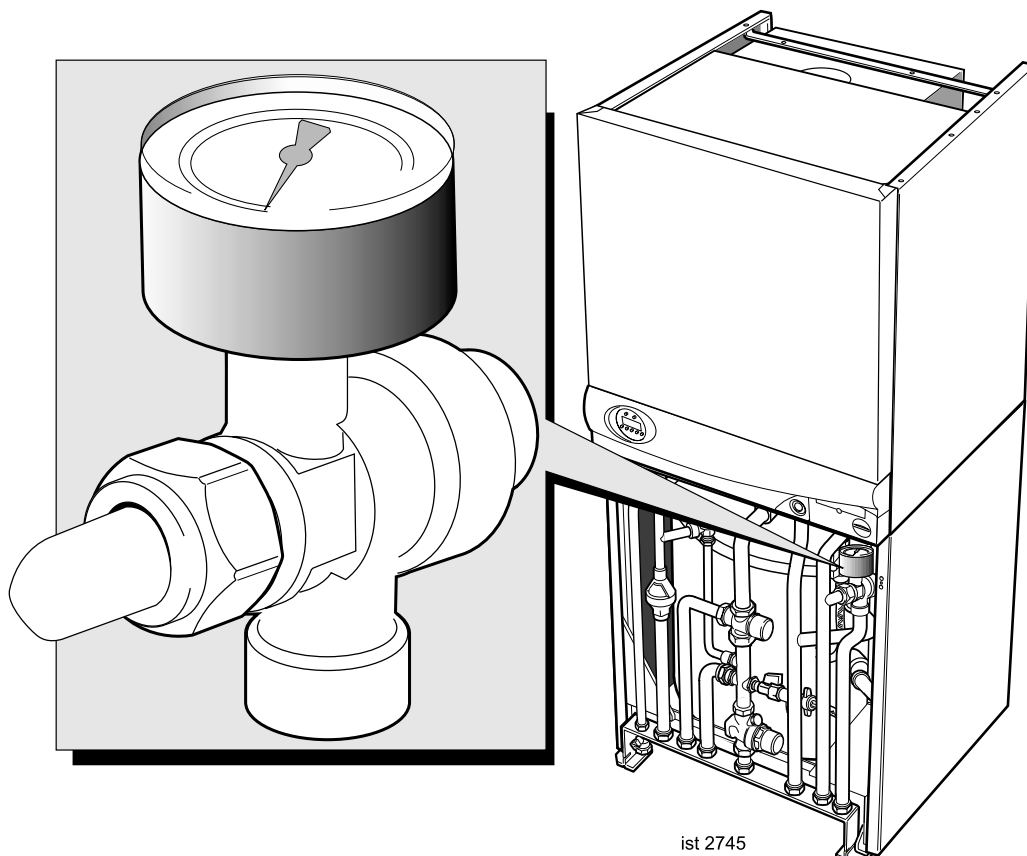
For normal cleaning simply dust with a dry cloth.

To remove stubborn marks and stains, wipe with a damp cloth and finish off with a dry cloth.

DO NOT use abrasive cleaning materials.

Maintenance

The appliance should be serviced at least once a year by a CORGI registered installer.



2 PROGRAMMER SET UP

Channel 1 (Radiator symbol) relate to the CH programme

Channel 2 (Tap symbol) relates to the DHW programme.

1. To set the time and day.

Move the right sliding switch to 'RUN'.

Press the 'HR' and 'MIN' simultaneously for 2-3 seconds.

Set the day button using the 'DAY' button.

Set the time pressing the 'HR' and 'MIN' buttons.

Approximately 15 seconds after setting the time and day the display will automatically pick up the time of day (the colon between the hours and minutes will flash).

2. To set the CH programme.

Set the right sliding switch to the radiator symbol.

Note. There is an in built default programme of:

Mon-Fri	ON 6:30	OFF 8:30
	ON 16:30	OFF 22:30
Sat-Sun	ON 7:00	OFF 9:00
	ON 16:00	OFF 23:00

(An ON period is designated by a 'light bulb' symbol being present in the top right hand corner of the display).

Pressing the 'DAY' button allows the selection of:

Mon - Sun	Separate days
Mon - Fri	Inclusive
Sat - Sun	Inclusive
Mon - Sat	Inclusive
Mon - Sun	Inclusive

Press the 'P' button to scroll through the ON and OFF times.

Press the 'HR' and 'MIN' buttons to change any of the pre-set times.

To save the desired times move the right sliding switch to **RUN**.

3. To set the DHW programme.

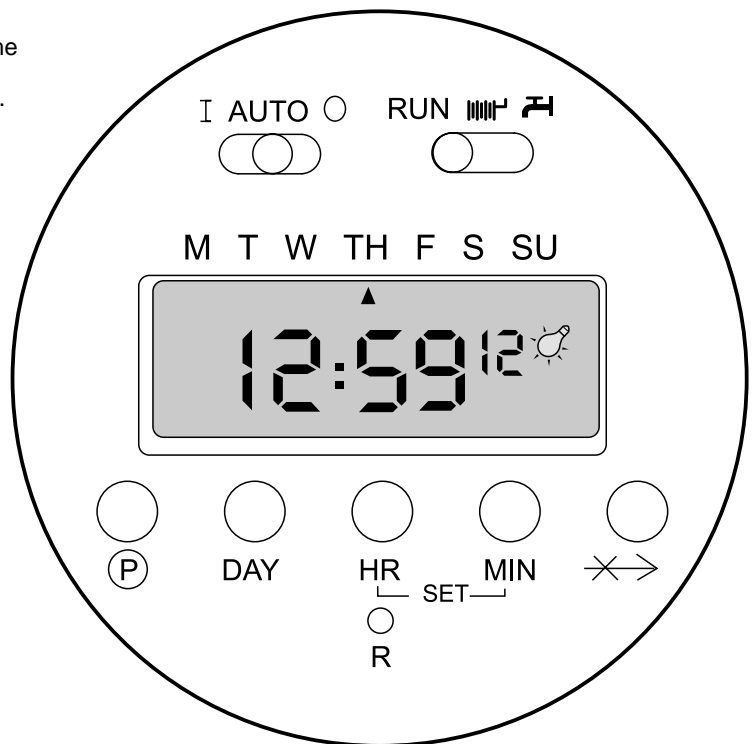
Set the right sliding switch to the tap symbol.

Note. The default programme is as the CH programme above, changing the times again is as above.

To save the desired times move the right switch to **RUN**.

4. To delete a switching time on CH or DHW

Set the right sliding switch to the radiator or tap symbol as required. Use button 'P' to flag up the desired switching time, Then press button 'X→' and P simultaneously for 3-4 seconds. The display will show a flashing 0.00 and the switching point is deleted.



5. To operate the programmer.

Set the right sliding switch to **RUN**.

Set the left sliding switch to **AUTO**.

An ON period will be designated by a light bulb symbol in the top right hand corner of the display with either a '1' to designate CH programme ON or a '2' to designate DHW programme ON.

6. Manual Override CH.

To manually override the CH programme move the left sliding switch to 'I'.

Press the 'X→' button ONCE.

The No. '1' will flash in the display for approximately 3 seconds, after which a light bulb symbol will appear in the display and the '1' will stop flashing.

To cancel the override move the left sliding switch to AUTO after approximately 3 seconds the '1' and the light bulb symbol will disappear.

7. Manual Override the DHW.

To manually override the DHW programme move the left sliding switch to 'I'.

Press the 'X→' button TWICE.

The No. '2' will flash in the display for approximately 3 seconds, after which a light bulb symbol will appear in the display and the '2' will stop flashing.

To cancel the override move the left sliding switch to **AUTO** after approximately 3 seconds the '2' and the light bulb symbol will disappear.

8. Skip Function

Pressing the '✕→' button ONCE for CH or TWICE for DHW with the left sliding switch in the **AUTO** position will change the programmed switching until the next programme time is reached.

i.e. this function will turn an ON period to OFF and vice versa. A '1' or '2' will appear in the display along with the light bulb symbol and '✕→'.

To remove this function press the '✕→' button ONCE to select '1' (CH) and hold in for approximately 3 seconds.

The '1' or '2' along with the light bulb and '✕→' symbol will disappear.



*The code of practice for the installation,
commissioning & servicing of central heating systems*

Caradon Ideal Limited. is a member of the Benchmark initiative and fully supports the aims of the programme. Benchmark has been introduced to improve the standards of installation and commissioning of central heating systems in the UK and to encourage the regular servicing of all central heating systems to ensure safety and efficiency.



CERTIFIED PRODUCT
Manufactured under a BS EN ISO 9001:1994
Quality System accepted by BSI

Ideal Boilers, P.O. Box 103, National Ave, Kingston upon Hull, HU5 4JN. Telephone: 01482 492 251 Fax: 01482 448 858. Registration No. London 322 137.

Caradon Ideal Limited pursues a policy of continuing improvement in the design and performance of its products. The right is therefore reserved to vary specification without notice.



***i* Ideal** BOILERS
ENGINEERED FOR PEACE OF MIND

Caradon
Ideal Limited

Ideal Consumer Helpline Tel: 01482 498 660
www.idealboilers.com