



I N S T A L L E R G U I D E



MODEL BR417
(G.C.32-032-07)
Inset Live Fuel Effect
Gas Fire
with
Ultimate
or
Superflame
Front



Please keep in a safe place for future reference

Please leave this Installer Guide with the user

As supplied, this appliance is for use with natural gas (G20)
When converted using Valor conversion kit no. 591149 this appliance is for use with propane gas (G31)

These appliances are for use in the United Kingdom (GB) and the Republic of Ireland (IE) only.

As supplied, this appliance is for use with natural

C U S T O M E R C A R E

This Installer Guide gives sufficient details to enable the appliance to be installed and maintained. If further information is required, our **Valor AdviceLine** will be pleased to help.

Please telephone 0345 626341 (Local call rates apply)

CONTENTS

	Page
Appliance data .	3
General installation requirements	3
Pack contents .	6
Preliminary checks .	7
• Ignition spark check .	7
• Fireplace check .	7
• Flue pull check .	7
Gas supply connection .	7
Preparing appliance for installation	8
Convection box installation	9
• Front fixing.	9
• Cable retention.	9
• Floor front sealing	11
Burner, surround & supply pipe installation	11
• Preliminary burner checks	11
• Reference pressure check	11
Ceramic coals & walls installation	12
Full operating checks	13
• Control settings check	13
• Flue spillage check	13
• Flame supervision & spillage monitoring system check	13
Final review .	14
Servicing & parts replacement	15
• Burner plaque replacement	15
• Front surround removal	15
• Burner unit removal	16
• Pilot unit removal.	16
• Gas tap removal	16
• Piezo generator removal	16
• Greasing gas tap	16
• Injector removal	16
• Removing appliance from fireplace	16
• Short list of spares	17

1. APPLIANCE DATA

This product uses fuel effect pieces. It makes sense to take care when handling these articles to ensure that the release of dust is kept to a minimum.

This appliance does not contain any component manufactured from asbestos or asbestos related products. The appliance data label is on a plastic tie below the burner and is visible when the bottom front cover is removed.

Gas	Natural (G20)	Propane (G31)*
Inlet Pressure	20mbar	37mbar
Input - Max. (Gross)	6.0kW (20,500Btu/h)	6.1kW (20,800Btu/h)
Input - Min. (Gross)	2.2kW (7500Btu/h)	3.6kW (12280Btu/h)
Output - Max.	3.5kW (11,900Btu/h)	3.6kW (12,280Btu/h)
Output - Min	1.1kW (3750Btu/h)	1.8kW (6140Btu/h)
Burner Test Pressure (Cold)	17.0± 0.75mbar (6.8± 0.3in w.g.)	35.6± 0.75mbar (14.3± 0.3in w.g.)
Gas Connection	8mm pipe	8mm pipe
Burner Injector	Bray Cat. 18 Size 360	Bray Cat. 18 Size 170
Pilot & Atmosphere Sensing Device	SIT Ref. OP9030	SIT Ref. OPLPG9222
Ignition	Piezo Electric. Integral with Gas Tap	Piezo Electric. Integral with Gas Tap
Aeration	Non-adjustable	Non-adjustable

* When converted using Kit 591149

2 GENERAL INSTALLATION REQUIREMENTS

2.1 For the user's protection, in the United Kingdom it is the law that all gas appliances are installed by competent persons in accordance with the current edition of the Gas Safety (Installation and Use) Regulations. Failure to install the appliance correctly could lead to prosecution. The Council for the Registration of Gas Installers (CORGI) requires its members to work to recognised standards.

The Confederation for the Registration of Gas Installers (CORGI) requires its members to work to recognised standards.

The installation must be in accordance with these instructions.

In the United Kingdom the installation must also be in accordance with:

- a) All the relevant parts of local regulations.
- b) The current edition of the Building Regulations issued by the Department of the Environment and the Welsh Office or the Building Standards (Scotland) (Consolidation) Regulations issued by the Scottish Development Department.
- c) All relevant codes of practice.

d) The relevant parts of the current editions of the following British Standards:-

- BS 715
- BS 1251
- BS 1289 Part 1
- BS 1289 Part 2
- BS 4543 Part 2
- BS 5440 Part 1
- BS 5440 Part 2
- BS 5871 Part 2
- BS 6461 Part 1
- BS 6891
- BS 8303

In the republic of Ireland the installation must also conform to the relevant parts of:

- a) The current editions of:-
 - IS 813
 - ICP3
 - IS327

All relevant national and local rules in force.

2.2 In the United Kingdom, as supplied, this appliance can be installed in the following situations: -

2.2.1 To a fireplace complete with surround and hearth complying with B.S 1251. The required fireplace, hearth, debris catchment area and clearance dimensions are shown in figure 1a.

2.2.2 To a fireplace incorporating a twin walled metal flue box complying with the constructional requirements of the current edition of BS 715 and standing on a non-combustible base. The dimensions of the flue box must conform to the opening shown in figure 1b. For flue details see sections 2.3 & 2.4.

2.2.3 To a fireplace that has a precast concrete or clay flue block system conforming to BS1289. The appliance is suitable for installations conforming to older versions of BS1289 as well as the current edition. The flue blocks must have a minimum width not less than 63mm and a cross-sectional area not less than 13,000mm². Older editions of BS1289 required a cross-sectional area of 13,000mm². The current revision of the standard requires 16,500mm². This appliance is suitable in both cases. The total depth of the opening measured from the finished front of the fireplace (Including plaster, surround etc) must be **not less than 100mm**.

The current version of BS1289 recommends that there should be an air space or insulation between the flue blocks and the plaster because heat transfer may cause cracking on directly plastered flues. However, generally this appliance is suitable for installations under all circumstances unless there is a history of cracking problems.

Remember that faults such as cracking may be caused by poorly built and restrictive flues, e.g. mortar extrusions, too many bends, flue heights below three metres, restrictive terminations, etc.

2.2.4 To a builder's opening within the dimensions shown in figure 1a.

2.3 Suitable flues and minimum flue sizes are as follows: -

- a. 225mm x 225mm conventional brick flue.
- b. 175mm diameter lined brick or stone flue.
- c. 200mm diameter factory made insulated flue manufactured to BS 4543.
- d. 175mm diameter flue pipe (see B.S 6461 part 1 for suitable materials).
- e. Single wall, twin wall or flexible flue liner of minimum diameter 125mm. The materials to be used are stainless steel or aluminium as specified in B.S 715.
- f. A properly constructed precast concrete or clay flue system conforming to BS 1289 Part 1 or 2.

It should be noted that, sharp bends or horizontal runs in metal flues at the top of the system could be a cause of problems in these types of installation.

2.4 The minimum effective height of the flue must be 3m.

2.5 The flue must not be used for any other appliance or application.

2.6 Any chimney dampers or restrictors should be removed. If removal is not possible they must be fixed in the open position.

2.7 If the appliance is intended to be installed to a chimney which was previously used for solid fuel, the flue must be swept clean prior to installation. All flues should be inspected for soundness and freedom from blockages.

2.8 If the fireplace opening is of underfloor draught type, it must be sealed to stop any draughts.

2.9 The appliance must be mounted behind a non-combustible hearth (n.b conglomerate marble hearths are considered as non-combustible). The

appliance can be fitted to a purpose made proprietary class "O" 150°C surround. The hearth material must be at least 12mm thick. The periphery of the hearth (or fender) should be at least 50mm above floor level to discourage the placing of carpets or rugs over it.

The surface of the hearth must be sufficiently flat to enable the bottom of the front surround, the burner bracket and the bottom front cover casting to be aligned horizontally. Any excessive unevenness (uneven tiles, Cotswold stone, etc.) should be rectified.

The appliance must not stand on combustible materials or carpets.

The appliance must not be fitted directly against a combustible wall. If the appliance is to be fitted against a wall with combustible cladding, the cladding must be removed from the area covered by the outer surround (see figure 1c). We suggest that the actual surround is used as a template to mark the area for combustible cladding removal.

2.10 The minimum allowable distance to a corner wall from the outside edge at either side of the front surround is 178mm.

2.11 The front face of the fireplace should be reasonably flat over the area covered by the convection box top and side flange seals to ensure good sealing. These faces should be made good if necessary.

The fireplace floor should be reasonably flat to ensure that a good seal with the convection box can be made (see fig.15).

2.12 The minimum height from the top surface of the hearth to the underside of any shelf made from wood or other combustible materials is as follows:

-
- For a shelf up to 150mm deep
Minimum height = 750mm.
- For a shelf deeper than 150mm
Minimum height = 750mm + 12.5mm for every 25mm depth over 150mm.

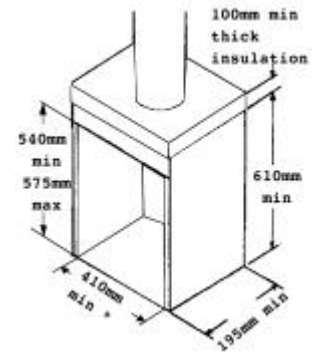
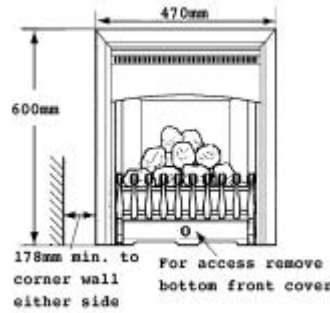
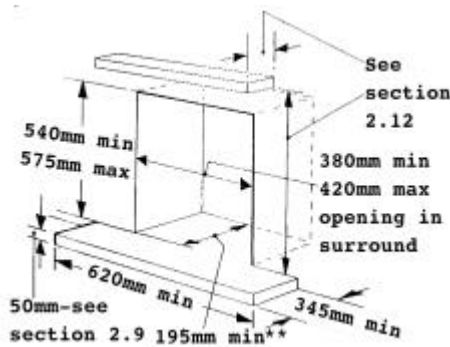
2.13 Note that soft wall coverings (e.g. embossed vinyl, etc.) are easily affected by heat. They may scorch or become discoloured when close to a heating appliance. Please bear this in mind when installing.

2.14 The appliance must not be installed in any room, which contains a bath, or shower or where steam is regularly present.

2.15 An extractor fan may only be used in the same room as this appliance, or in any area from which ventilation for the appliance is taken, if it does not affect the safe performance of the appliance. Note the spillage test requirements detailed further on in this manual. If the fan is likely to affect the appliance, the appliance must not be installed unless the fan is permanently disconnected.

2.16 In the United Kingdom (GB) no special ventilation bricks or vents are required in the room for this appliance.

In the Republic of Ireland (IE), permanent ventilation must comply with the regulations currently in force.



(a) Fireplace Dimensions
** Does not apply to pre-cast flues

(b) Twin walled metal flue box
(Internal dimensions)

* If internal width is greater than 440mm, the opening width must be reduced to not more than 440mm to ensure adequate sealing to fire.

Fig. 1 Installation Data

3. UNPACKING

The pack contains:

- 1 Burner & Convection box Unit
- 1 Front surround unit
- 1 Nut & olive for 8mm inlet pipe
- 1 Ceramic back wall
- 1 Pair of ceramic side walls
- 1 Front base coal- left & right halves
- 1 Rear base coal
- 1 Pack of 5 loose coals
- 2 Small "U" seals for convection box side flanges
- 1 Strip of floor sealing tape
- 1 Flue restrictor plate
- 6 Fibre plugs

- 4 Woodscrews
- 2 Fire retaining cables
- 2 Cable clamps
- 4 Eyebolts
- 1 Installation template
- 1 Smoke match tube
- 1 Fire front casting
- 1 Bottom front cover casting
- 1 Literature pack

Carefully remove the contents. Take special care in handling the ceramic walls and the coals. Check that all the listed parts are present and in good condition.

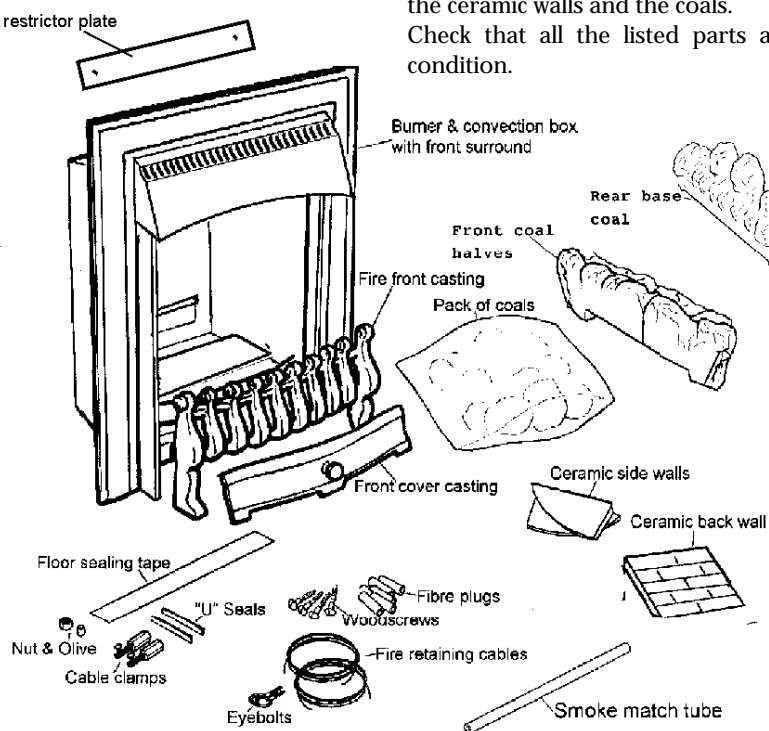
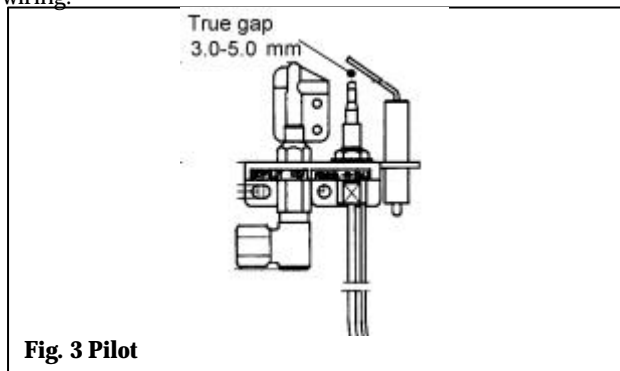


Fig 2 Pack contents

4. PRELIMINARY CHECKS

4.1 CHECK IGNITION SPARK

Before attempting to install, it is worth checking that the piezo electric spark ignition system operates satisfactorily. To initiate the spark, depress the control knob and while keeping it depressed, turn anticlockwise through approximately 60° to the "PILOT/IGN" position. A spark should track from the electrode pin to the thermocouple tip. If there is no spark or incorrect tracking, check the spark gap between the electrode wire and thermocouple tip (see figure 3). If the spark gap is correct, check the ignition wiring.



4.2 CHECK THE FIREPLACE

The fireplace must comply with all the requirements of section 2.

4.2.1 Fireplace general condition

The fireplace floor should be reasonably flat to ensure that the convection box can be installed without it rocking and so that a good seal can be made at the bottom front of the box. The front face of the fireplace should be reasonably flat over the area covered by the convection box top and side flange seals to ensure good sealing. These faces should be made good if necessary. If the appliance is to be fitted against a wall with combustible cladding, the cladding must be removed from the area covered by the outer surround (see figure 1c). We suggest that the actual surround is used as a template to mark the area for combustible cladding removal.

4.2.2 Soundness for appliance attachment

Two primary methods of retaining the appliance are provided: -

- 1) By fixing to the fireplace front.
- 2) Using concealed tension cables fixed to the rear of the fireplace opening together with secondary fixing to the fireplace floor.

The methods are detailed in section 7 of this manual.

Before selecting the retention method, consult with the customer. Method 2 is provided for instances where drilling holes in the front surface of the fireplace surround is unacceptable to the customer or otherwise impractical. N.B. It is unwise to attempt to drill into marble without the proper tools and equipment.

If method 1 is chosen, make sure that the fireplace front surround area is sound enough to take the rawlplugs and woodscrews. If necessary, make sound with a suitable cement.

If method 2 is chosen, make sure that the areas at the back and towards the centre of the fireplace floor are sound enough to take the eyebolts and screws. If these areas have deteriorated due to prolonged use, they should be made sound with a suitable cement.

4.2.3 Installations using a metal flue box

The whole of the top surface of the metal flue box must be covered with a layer of mineral wool or equivalent insulation at least 100mm thick (see figure 1b).

4.3 FIREPLACE FLUE PULL

After preparing the fireplace, carry out the flue flow test as detailed in BS5440: Part 1.

Note - A 13 gramme smoke pellet will generate the required volume of smoke, anything smaller may give a false pass result. Observe the smoke. If there is a definite flow into the opening continue with the installation. If there is not a definite flow, preheat the chimney for ten minutes and recheck. If there is still no definite flow, the chimney may need attention. **Do not fit the appliance. Seek expert advice.**

5. GAS SUPPLY CONNECTION

A nut and olive are provided for an 8mm pipe inlet connection to the elbow at the bottom front of the appliance. The elbow can be rotated to allow a connection from any direction. The elbow includes a valve for isolating the gas supply.

The supply pipe must be rigid material. Flexible pipe must not be used.

5.1 CONCEALED SUPPLY PIPE CONNECTION

If a concealed connection from inside the fireplace is required then, **before the appliance is fitted into the fireplace** it will be necessary to extend the supply line so that it will project through the sealed opening at the back of the convection box (near the left side) and run to the elbow at the front

The pipe run from the supply line up to the rear opening in the convection box must be kept clear of the area which will be taken by the convection box when it is installed. A template is supplied to aid the installation of the pipe run. We recommend the following method for installing with a concealed supply pipe:

5.1.1 Cut the template to the shape shown by the "Debris catchment area". Note that the areas are different for fireplaces with conventional brick flues and precast flues.

5.1.2 Place the template on the fireplace floor (printed side upward) with the front line level with the front surface of the fireplace. The centre line of the template should line up with the centre of the fireplace. Tape the template securely in this position

5.1.3 Make sure that the fireplace is clear of all material over the full area covered by the template including that marked "Debris catchment area".

5.1.4 Install the supply pipe to run through the thick line marked "Supply pipe entry" and up to the inlet elbow position.

Note that the centre of the appliance inlet elbow is 18mm above the fireplace floor. The inlet elbow should be removed from the appliance and fitted to the supply pipe at this stage.

Remove the template. **Note: If the supply pipe connection is to be from the right side, keep the template, It will be useful for bending the pipe later on (Section 8.4)**

5.2 SIDE SUPPLY PIPE CONNECTION

The appliance is designed to allow a side supply pipe to run in front of the front surround and through a cut-out at either rear bottom corner of the fire front casting. For side connection, final installation of the supply pipe should be left until the appliance is installed in the fireplace.

6. PREPARING APPLIANCE FOR INSTALLATION

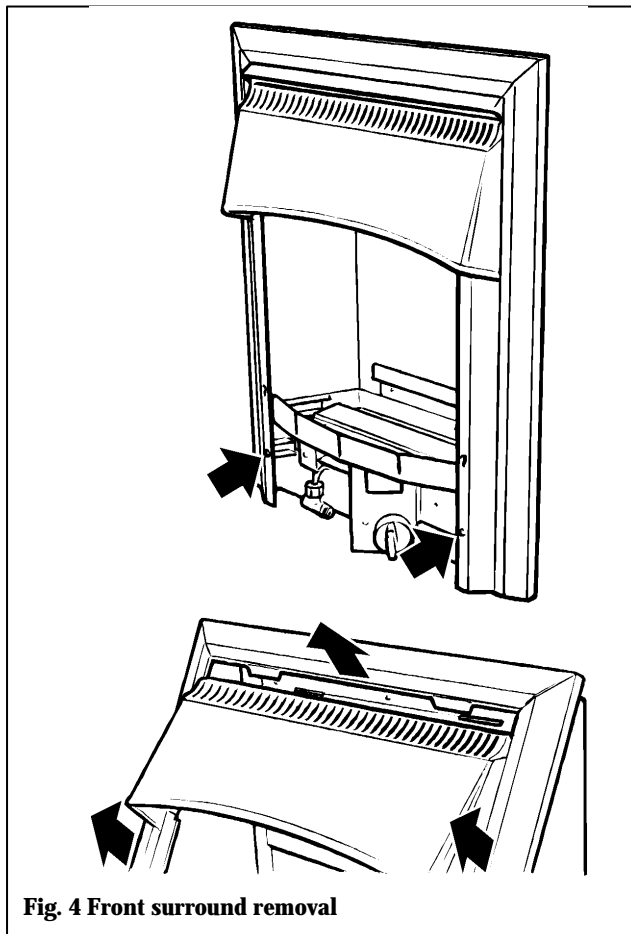


Fig. 4 Front surround removal

6.1 Remove the two screws securing the bottom of the front surround to the sides of the convection box. Raise the front surround to allow the retaining lugs at the top to clear the slots in the convection box hood and then lift clear (see figure 4).

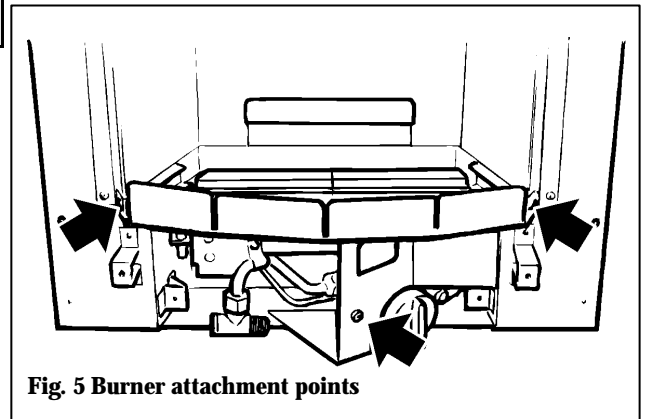


Fig 5 Burner attachment points

6.2 Detach the burner unit from the convection box by removing three screws (see figure 5). Lift the burner unit clear.

6.3 Fit the two small "U" section seals to the bottom edges of the convection box side flanges (see fig.6)

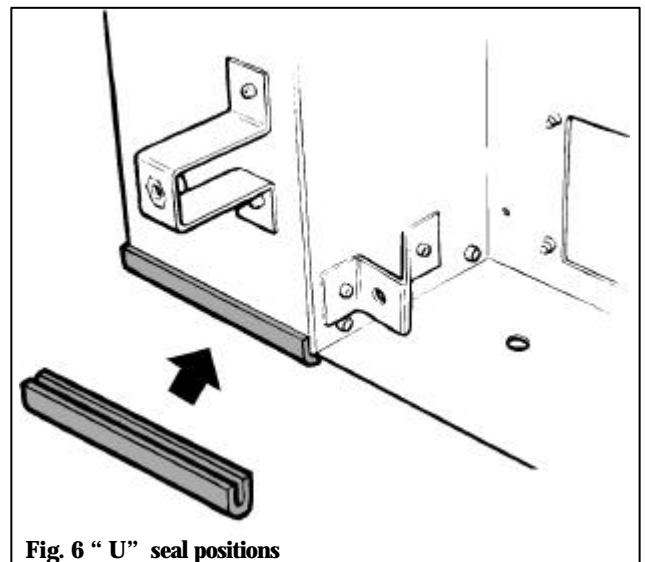


Fig 6 "U" seal positions

6.4 For concealed connection only

Pierce a hole in the seal at the back of the convection box (see figure 7). The seal must envelop the pipe. If the hole is larger than the pipe, seal it with tape. **Do not pierce the seal unless the supply pipe is to pass through it.**

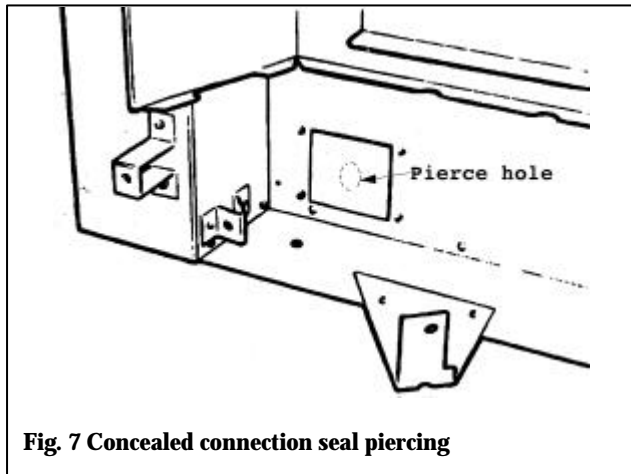


Fig. 7 Concealed connection seal piercing

6.5 The flue restrictor

This appliance is supplied with a flue restrictor for use where the flue draught is excessive. The restrictor must NOT be fitted where a precast flue or a flue liner is used. For all other installations the restrictor should be fitted. There may however, be certain exceptional circumstances where fitting the restrictor causes the fire to fail the spillage test. In such cases the restrictor will have to be removed. After removal conduct the spillage check again. The restrictor is packed loose with the appliance and is fixed with two screws (See figure 8).

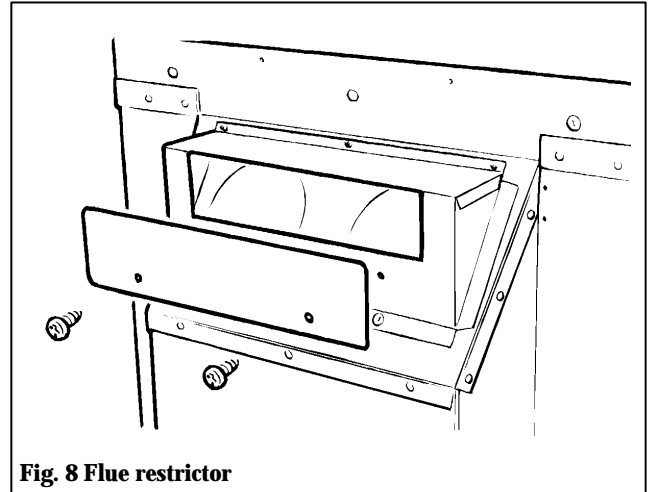


Fig. 8 Flue restrictor

7. CONVECTION BOX INSTALLATION

7.1 METHOD (1) - FRONT FIXING TO FIREPLACE SURROUND

Make sure that the fireplace front surround area is sound enough to take the rawlplugs and woodscrews. If necessary, make sound with a suitable cement.

7.1.1 Place the convection box centrally in the fireplace in the position in which it is to be permanently installed. If a concealed connection is being used, insert the convection box into the fireplace feeding the supply pipe through the pierced hole in the rear seal.

7.1.2 Mark the fireplace front surround through the four fixing holes in the side flanges of the convection box (see figure 9).

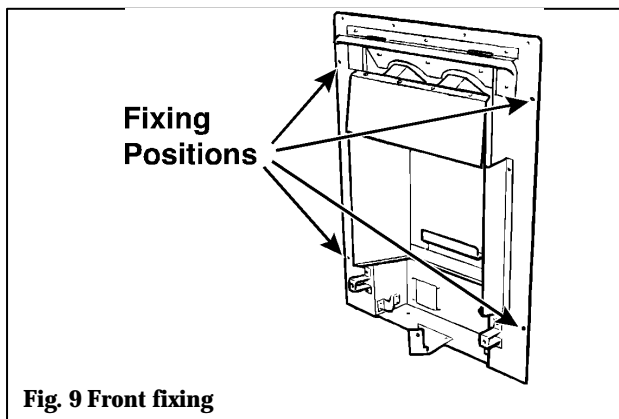


Fig. 9 Front fixing

7.1.3 Remove the convection box. Drill four holes in the fireplace front surround at the marked positions using a no.12 masonry drill.

7.1.4 Insert a rawlplug into each hole.

7.1.5 Place the convection box back in position in the fireplace.

7.1.6 Fit a woodscrew through each hole in the convection box flanges and tighten to seal the box to the fireplace surround.

7.2 METHOD 2 - CABLE RETENTION AND FLOOR FIXING

Make sure that the areas at the back and towards the centre of the fireplace floor are sound enough to take the eyebolts and screws. If these areas have deteriorated due to prolonged use, they should be made sound with a suitable cement.

7.2.1 Drill four holes in the rear wall of the fireplace for the eyebolt plugs. The holes should be drilled within the range of positions shown in figure 10 using a no.12 masonry drill. The holes should be equidistant each side of the centre line of the fireplace to ensure that the appliance finishes centrally in the opening when tension is applied to the cables.

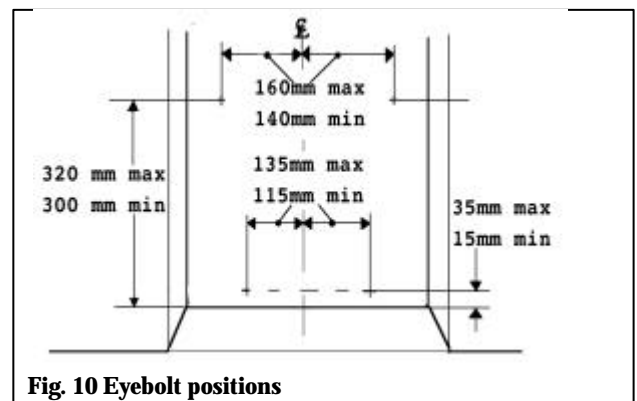


Fig. 10 Eyebolt positions

7.2.2 Insert a fibre plug into each hole. Use the rawlplugs supplied with this appliance - **Never use plastic plugs instead of the fibre plugs supplied.** Screw the eyebolts into the plugs. Make sure that the bolts are secure.

7.2.3 Place the convection box unit close to the fireplace but allow sufficient access into the fireplace opening so that the cables can be threaded through the eyebolts and returned through the back of the convection box. If a concealed connection is being used, insert the convection box into the fireplace feeding the supply pipe through the pierced hole in the rear seal.

7.2.4 The convection box has two holes at each side of the convected air opening. Insert one end of each cable (one cable each side) from the back through the lower of the two holes and return the end through the upper of the holes (see figure 11). Give the cables a pull so that they grip against the convection box flanges.

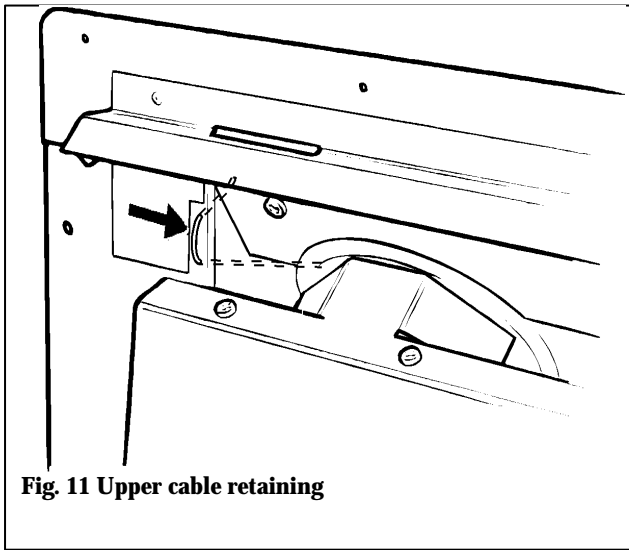


Fig. 11 Upper cable retaining

7.2.5 Thread the cables through the upper eyebolts in the rear wall and then through the lower eyebolts. Return the cables through the holes near the bottom of the convection box back panel and through the “V” shaped brackets near the bottom front sides of the convection box (see figure 12).

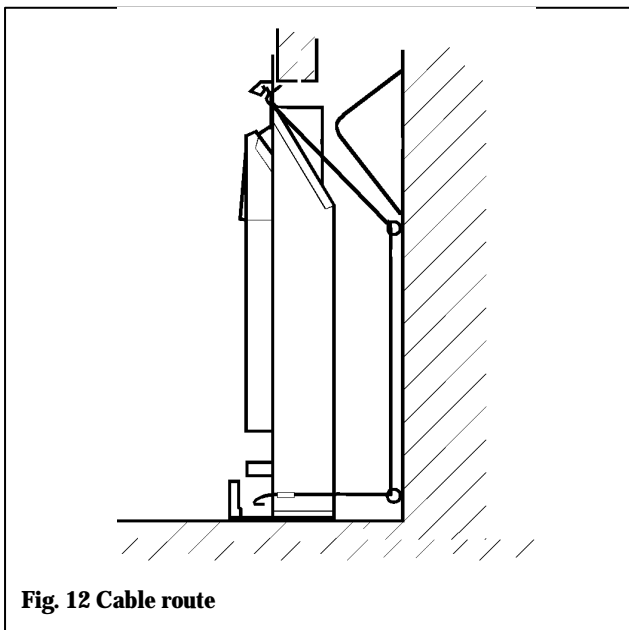


Fig. 12 Cable route

7.2.6 Place the convection box fully back into the fireplace opening so that it is sealed against the fireplace front surround.

7.2.7 Fit a cable retainer over the bottom end of each cable.

7.2.8 Pull each cable taut. Push the cable retainers hard up against the “V” brackets. Tighten the screws in the retainers so that they clamp the cables in position. Apply tension to the cables by turning the hexagonal adjusters by hand (see figure 13).

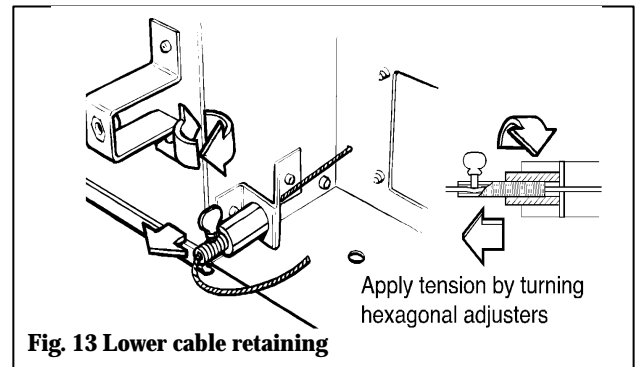


Fig. 13 Lower cable retaining

7.2.9 Drill a hole into the fireplace floor through each of the two holes in the base of the convection box using a no.12 masonry drill (see figure 14).

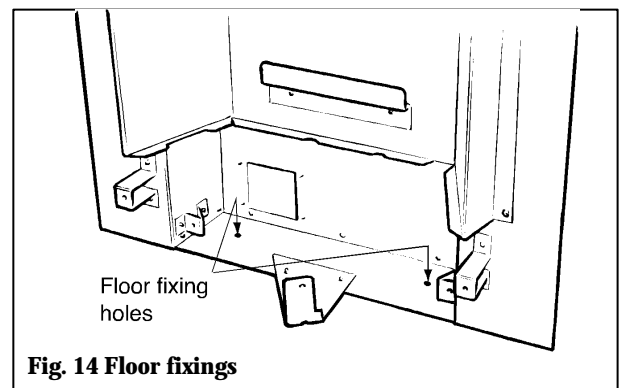


Fig. 14 Floor fixings

7.2.10 Insert a fibre plug into each hole. Use the rawlplugs supplied with this appliance - **Never use plastic plugs instead of the fibre plugs supplied.** Fit a woodscrew in each plug and tighten.

7.2.11 Inspect the installation of the convection box against the fireplace surround. If the convection box is aligned squarely and the sealing is satisfactory, fully tighten the cable retainers.

7.2.12 If the convection box is not correctly aligned, release the tension on the cables by slackening the screws and turning the hexagonal adjusters fully anticlockwise. The convection box should then automatically realign itself. Pull each cable taut again and push the cable retainers back against the “V” brackets. Again, tighten the screws in the retainers and apply tension to the cables by turning the hexagonal adjusters clockwise as far as possible.

7.2.13 Push the free length of the cables inside the convection box so that they are available to allow easy removal and refitting of the appliance during subsequent service calls.

7.3 SEAL THE FLOOR FRONT (ALL INSTALLATIONS)

Using the floor sealing tape supplied, seal the bottom of the convection box to the fireplace and hearth floor. Run the tape over the burner fixing bracket. (See figure 15).

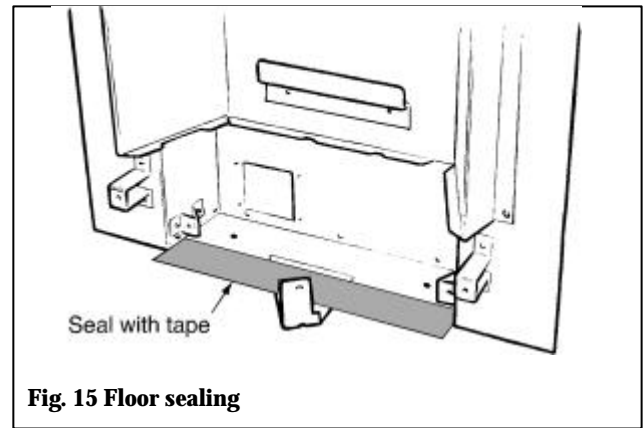


Fig. 15 Floor sealing

8. BURNER, FRONT SURROUND & SUPPLY PIPE INSTALLATION

8.1 Refit the burner unit to the convection box with three screws.

8.2 Locate the two lugs at the top of the front surround in the slots in the convection box hood. Swing the bottom of the surround sides back against the convection box and lower the surround so that the lugs are fully seated in the slots in the convection box hood.

8.3 Refit the two screws to secure the surround sides to the convection box brackets.

8.4 Connect the supply line to the appliance.

For right hand side connection. The supply pipe will have to be formed to go behind the control knob and burner support bracket. The installation template contains a diagram for bending this supply pipe.

8.5 Pressure check the installation pipework for gas soundness in accordance with the current edition of BS6891. A long brush may be required to reach some joints.

8.6 PRELIMINARY BURNER CHECKS

Some burner operations can be checked at this stage. Checking now will mean that less disassembly will be required if any problems are found. **A full check should still be made, however, after final installation.**

8.6.1 If closed, open the isolating valve at the inlet elbow.

8.6.2 Depress the control knob and turn anticlockwise partially towards the "PILOT/IGN" position until some resistance is felt. Keep depressed at this position to purge air from the system then, while keeping it depressed, turn fully to the "PILOT/IGN" position. A spark should be generated at the pilot while turning. The spark should ignite the pilot.

8.6.3 When pilot ignition has been achieved, keep the control knob depressed for approximately ten seconds to allow the thermocouple probe to warm up and then release it. If the pilot does not remain alight, ensure that the air has been purged, that the pilot orifice is clear and that the thermocouple connections are sound. Replace the pilot unit if necessary (see servicing section of this manual).

8.6.4 When the pilot is alight and stable, partially depress the knob and turn to "LOW". The pilot should then light the main burner at its low setting. There may be a delay of up to four seconds between the pilot lighting and ignition of the gas at the main burner. This is normal and is due to the time required to fill the main burner compartment with sufficient gas for ignition.

8.6.5 When the burner is operating properly, partially depress the control knob and gradually turn it anti-

clockwise. The burner flames should gradually increase until the knob reaches the "HIGH" position. **When the above checks have been completed partially depress the control knob and turn to "OFF".**

8.6.6 If the above checks are satisfactory, continue with the installation. If not, check the control and ignition circuitry and components as described in the servicing section of this manual.

8.7 CHECK REFERENCE PRESSURE

The appliance is pre-set to give the correct heat input at the inlet pressure shown in section 1 of this manual. No adjustment is necessary. Check the burner pressure by fitting a pressure gauge at the test point. The test point is on the pipe situated below the bottom right corner of the burner unit (See figure 16). Check the pressure with the appliance alight and set at maximum output. After checking, turn off the appliance. Remove the pressure gauge and replace the test point sealing screw. Relight the appliance. Turn to the maximum output

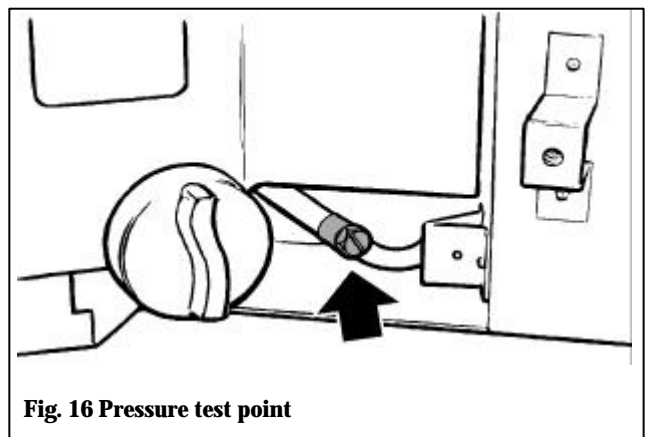
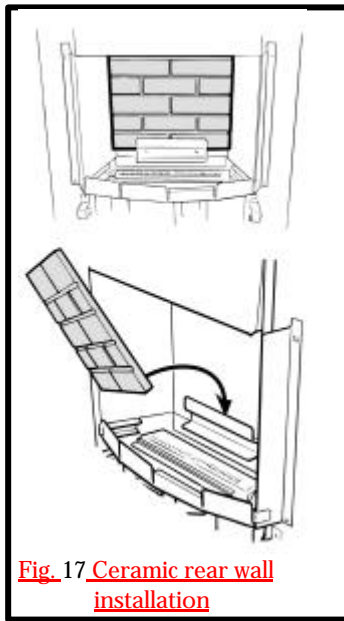


Fig. 16 Pressure test point

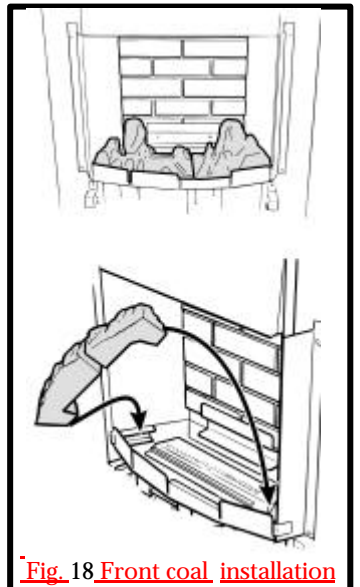
position and test around the sealing screw for gas soundness with a suitable leak detection fluid.

9. CERAMIC COALS & WALLS INSTALLATION

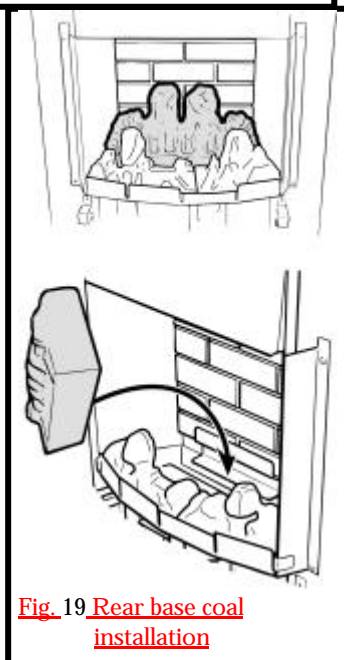
9.1 With its feather edge at the top, place the ceramic rear wall into the channel at the back of the fire box. Push the wall flat against the rear of the fire box. (See figure 17).



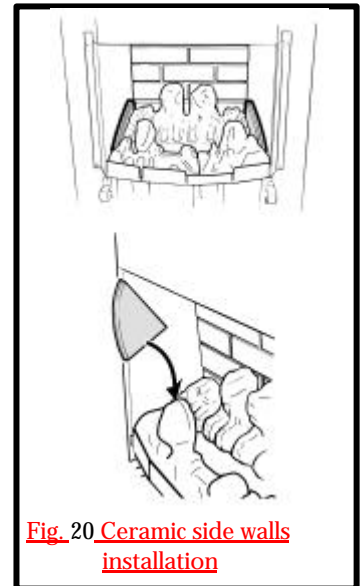
9.2 Place the two halves of the front base coal in the burner compartment so that they rest on the ledges at the sides and front. Pull the coals forward so that they are immediately behind the front rim of the burner compartment (See fig. 18).



9.3 Place the rear base coal in the burner compartment behind the front coal. Its rear face should touch the rear ceramic wall (See figure 19).



9.4 The ceramic side walls are marked at the rear bottom corners "L" (Left side) & "R" (Right side). Place the side walls against the sides of the fire box and in the recesses at the sides of the base coals. The markings "L" & "R" should be at the back bottom corners and facing to the centre of the back of the firebox (See figure 20).

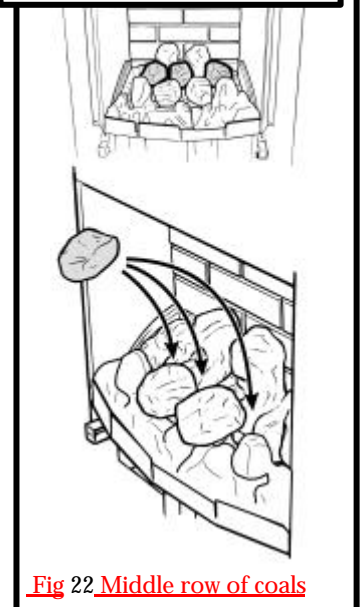


9.5 Install the 5 loose coals as follows. The smooth surfaces of the coals should be at the bottom and back.

9.5.1 Select the two largest coals. Place them in the central two valleys of the front coal (See figure 21).



9.5.2 Place the three remaining coals behind and approximately midway between each of the coals in the front row (See figure 22).



10. FULL OPERATING CHECKS

10.1 RECHECK CONTROL SETTINGS

Now that all the ceramic fuel effects are in position, the control operation must be fully rechecked.

10.1.1 Make sure that the isolating valve at the inlet elbow is open.

10.1.2 Depress the control knob and turn anticlockwise partially towards the "PILOT/IGN" position until some resistance is felt. Keep depressed at this position to purge air from the system then, while keeping it depressed, turn fully to the "PILOT/IGN" position. A spark should be generated at the pilot while turning. The spark should ignite the pilot.

10.1.3 When pilot ignition has been achieved, keep the control knob depressed for approximately ten seconds to allow the thermocouple probe to warm up and then release it. If the pilot does not remain alight, ensure that the pilot orifice is clear.

10.1.4 When the pilot is alight and stable, partially depress the knob and turn to "LOW". The pilot should then light the main burner at its low setting. There may be a delay of up to four seconds between the pilot lighting and ignition of the gas at the main burner. This is normal and is due to the time required to fill the main burner compartment with sufficient gas for ignition.

10.1.5 When the burner is operating properly, partially depress the knob and gradually turn it anticlockwise. The burner flames should gradually increase until the knob reaches the "HIGH" position.

10.1.6 Partially depress the control knob and turn back to "PILOT/IGN". The main burner flames should be extinguished but the pilot should remain alight.

10.1.7 Partially depress the control knob and turn to "OFF". The pilot should be extinguished.

10.2 CHECK FOR SPILLAGE

A spillage check must be made before leaving the installed appliance with the customer. Make this check with the appliance fully installed with the ceramic fuel effects and front surround in position.

10.2.1 Close all doors and windows in the room containing the appliance.

10.2.2 Light the appliance and turn the control knob to "HIGH"

10.2.3 Leave the appliance on for five minutes.

10.2.4 Place the smoke match tube into the convection box at the right hand side and immediately below the black top cross member. Angle it at approximately 45° to the horizontal.

Insert the tube so that the neck of its flared end touches the inside surface of the edge of the cross member (figure 23).

Keeping the neck of flared end in contact with the edge of the cross member, slide the tube to the left until you feel it enter the notch in the edge of the cross member. Make sure that the tube is pointed upwards at 45° to the horizontal.

The installation is satisfactory if the smoke is drawn into the appliance. If the smoke is not drawn into the appliance,

leave the appliance alight at the maximum setting for a further ten minutes and then repeat the test. If the smoke

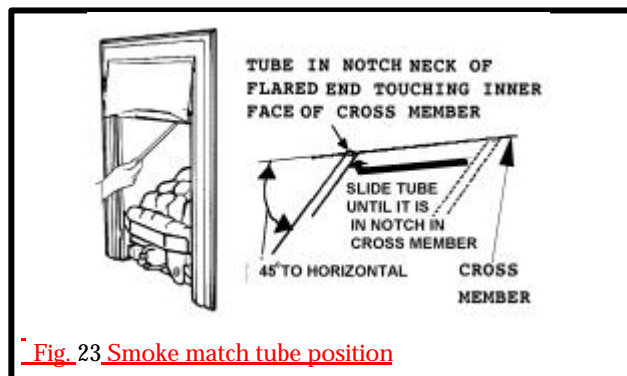


Fig. 23 Smoke match tube position

is still not drawn into the appliance, inspect the sealing to the fireplace surround. If the sealing is satisfactory but the appliance is installed with the flue restrictor (see section 6.5), remove the restrictor, reseal the appliance and retest. If smoke is still not drawn into the appliance **disconnect the appliance and seek expert advice.**

10.2.5 If the above test is satisfactory, open all internal connecting doors, hatches, etc. in the room. Keep all doors and windows that open to the outside of the building closed. Recheck for spillage as above. If an extractor fan is installed in the same room as the appliance or a connecting room, check that spillage does not occur with the fan operating and all doors and other openings between the fan and the appliance open. If the smoke is drawn into the appliance, continue with the installation. If the test is not satisfactory, **disconnect the appliance and advise the customer of the cause of failure.**

10.3 FLAME SUPERVISION & SPILLAGE MONITORING SYSTEM

This pilot unit incorporates a system which will automatically shut off the gas supply if the pilot flame goes out or if there is insufficient oxygen due to spillage or lack of ventilation.

Check that the system operates properly as follows;

10.3.1 Light the appliance. Set at the "HIGH" position and leave for one minute.

10.3.2 Turn back to "OFF" to extinguish the pilot.

Note the time when the pilot goes out. Listen for a snap sound at the gas tap. **Note the time when the sound is heard.** This sound is caused by an electromagnetic valve shutting off the gas supply through the tap. The valve is located in the body of the tap. The valve should operate **within 60 seconds of the pilot going out.** If the valve does not operate within this time limit do not allow the appliance to be used until the fault has been corrected.

This monitoring system must not be adjusted, bypassed or put out of operation.

This monitoring system, or any of its parts, must only be exchanged using Valor authorised parts.

11. FINAL REVIEW

11.1 All models except black & chrome front casting: Fit the fire front casting to the front surround. Locate the two screw heads at the rear top corners of the casting through the keyhole slots at the inner sides of the surround. If the screw heads do not project enough or project too far, the screws can be adjusted. Lower the casting so that it rests on the hearth (see figure 24).

Black & chrome front casting: Place the fire front casting in front of the appliance.

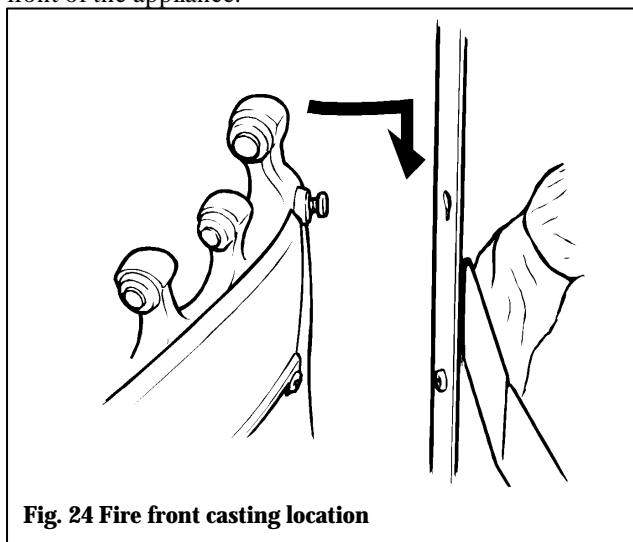


Fig. 24 Fire front casting location

11.2 Place the bottom front cover casting in position below the fire front casting.

11.3 Visually inspect the appliance. Clean off any marks incurred during installation.

11.4 Hand these instructions and the user's instructions to the customer.

11.5 Advise the customer how to operate the appliance. Point out that lighting instruction details are on a tie at the bottom of the appliance.

11.6 Explain to the customer that the appliance has a flame failure & spillage monitoring system. Point out the explanation of this system shown in the owner's guide under " Operating the fire" .

Advise that if the fire goes out for any reason, wait at least three minutes before relighting.

Stress that if the monitoring system repeatedly shuts off the fire, the appliance should be switched off and a specialist should be consulted.

11.7 Advise the customer that they should read their Owner's guide before operating the fire and always follow the advice in the section headed " Cleaning your fire" .

11.8 *Stress that no extra coals must be added over and above those supplied with the appliance and that any replacements must only be the authorised spares. Warn that ignoring this advice could cause incomplete clearance of the products of combustion with consequent health hazards.*

11.9 Recommend that the appliance should be serviced and the chimney inspected by a competent person at least annually.

12. SERVICING & PARTS REPLACEMENT

- **Always turn off the gas supply before commencing any servicing (The inlet elbow for this appliance incorporates an isolating valve).**
- Check that the appliance is clean and that soot or debris is not blocking the gaps between the coals causing an imperfect flame.
- Check that soot or debris is not impairing the electrode spark or pilot burner.

- Check that soot or debris is not blocking any of the slots in the main burner.
- After servicing, make sure that the ceramic walls and coals are replaced correctly as described in the installation instructions.
- **Always test for gas soundness and spillage after servicing the appliance.**

12.1 TO REPLACE BURNER PLAQUES (See figure 25)

12.1.1 Remove the 5 loose coals, ceramic side walls, front base coal, rear base coal and ceramic back wall.

The plaques can then be removed as follows without detaching the front surround or front casting.

12.1.2 Remove the plaque clamping strips by detaching 6 screws.

12.1.3 Remove the plaques and the combination gasket between and under the plaques. If necessary remove the gauze and the gasket beneath it.

12.1.4 If necessary fit a new gasket below the gauze. Clean and replace the gauze. Fit a new combination gasket below the plaques. Push the gasket ends inwards to form a dividing gasket between the plaques.

12.1.5 Place the new left hand plaque in position. The left side of the plaque must touch the inside edge of the retaining flange at the left side of the burner well.

12.1.6 Place the new right hand plaque in position. Make sure that the centre section of the combination plaque is between the two plaques. If there is any play between the plaques and the end retaining flanges, push the plaques firmly to the left squeezing the centre section of the combination gasket between the two plaques. Any gap should be between the right side of the plaque and the right side retaining flange.

12.1.7 Fit the front and rear plaque clamping strips. Make sure that the plaques are as far to the left as possible. **It is important that the left side plaque is accurately positioned so that it has the correct relationship to the pilot.** Fully tighten the clamping strips.

12.1.8 Refit the ceramic fuel effects and walls as described in section 9 of this manual.

12.2 TO REMOVE THE FRONT SURROUND

12.2.1 Remove the bottom front cover casting.

12.2.2 Lift the casting clear. (Where applicable by lifting the fire front casting up and forward to release the locating screw heads at the back of the casting from the keyholes in the surround sides.)

12.2.3 Remove the two screws securing the bottom of the front surround to the sides of the convection box. Raise the front surround to allow the retaining lugs at the top to clear the slots in the convection box hood and then lift clear (see figure 26).

12.2.4 Replace in the reverse order.

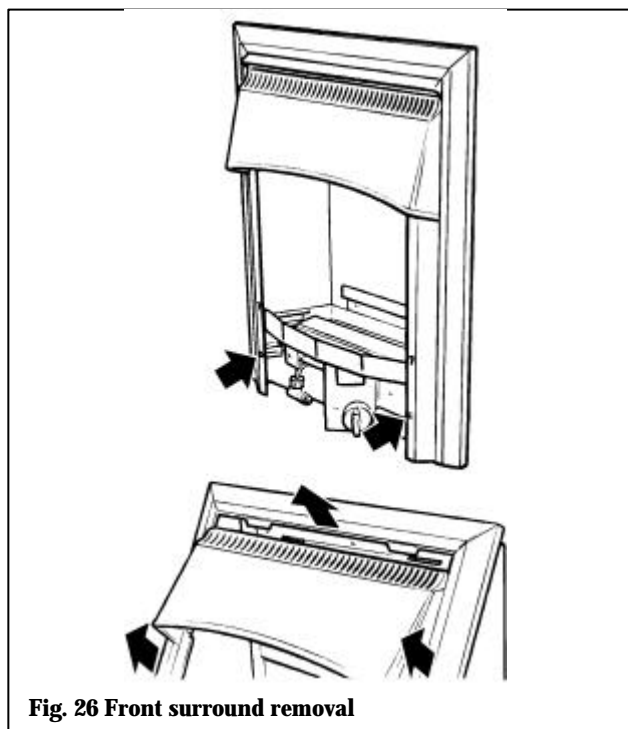


Fig. 26 Front surround removal

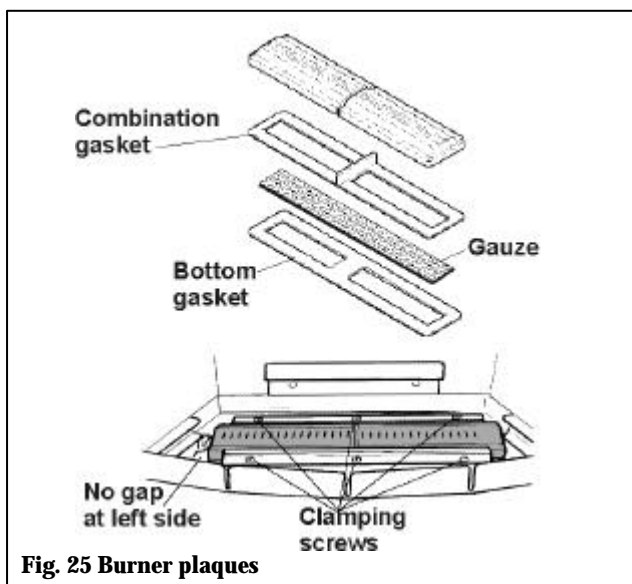


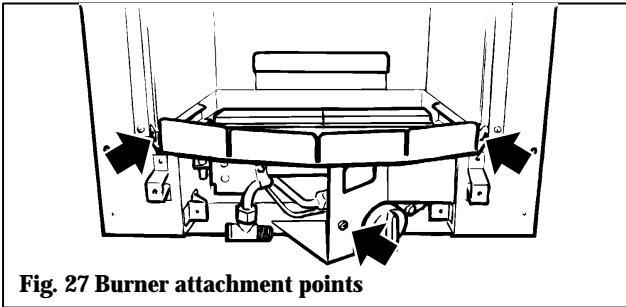
Fig. 25 Burner plaques

12.3 TO REMOVE THE COMPLETE BURNER UNIT (See figure 27)

- 12.3.1 Remove the 5 loose coals, ceramic side walls, front base coal, rear base coal and ceramic back wall.
- 12.3.2 Remove the front surround unit - See section 12.2.
- 12.3.3 Support the inlet isolating elbow to avoid straining the pipework and disconnect the appliance from the elbow.
- 12.3.4 Detach the burner unit from the convection box by removing 3 screws.
- 12.3.5 Replace in the reverse order.

12.5.8 Remove the gas tap fixing nut. Pull the tap clear of the control plate.

12.5.9 Replace in the reverse order.

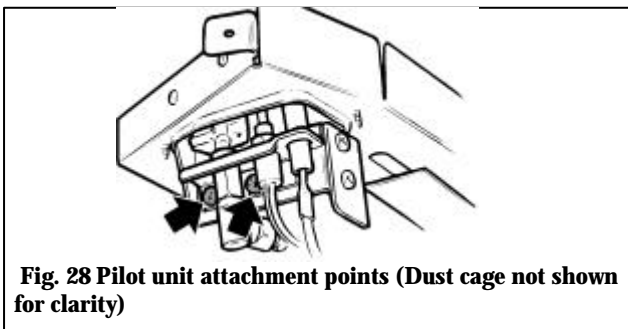


12.4 TO REMOVE THE PILOT UNIT (See figure 28)

- 12.4.1 Remove the burner unit - See section 12.3.
- 12.4.2 Disconnect the electrode lead from tab underneath the electrode.
- 12.4.3 Undo the thermocouple nut at the gas tap.
- 12.4.4 Disconnect the pilot pipe from the pilot unit elbow.
- 12.4.5 Remove the first screw securing the dust cage to the pilot unit / burner. Carefully remove the dust cage and place aside.
- 12.4.6 Remove the second screw securing the pilot unit to the burner. Remove the pilot unit and place it aside
- 12.4.7 Refit in the reverse order

Note 1 The pilot unit must be replaced as a whole assembly. Its individual components are not separately replaceable.

2. Once removed, ensure that the dust cage is cleaned before refitting. Make sure that it locates squarely onto the pilot unit without any gaps between the cage edges and the pilot unit.



12.5 TO REMOVE THE GAS TAP/F.S.D.

- 12.5.1 Remove the burner unit - See section 12.3.
- 12.5.2 Disconnect the electrode lead from tab underneath the electrode.
- 12.5.3 Undo the thermocouple nut at the gas tap.
- 12.5.4 Disconnect the inlet pipe at the tap end.
- 12.5.5 Disconnect the pilot pipe at the tap end.
- 12.5.6 Disconnect the main burner pipe at the tap end.
- 12.5.7 Pull off the control knob.

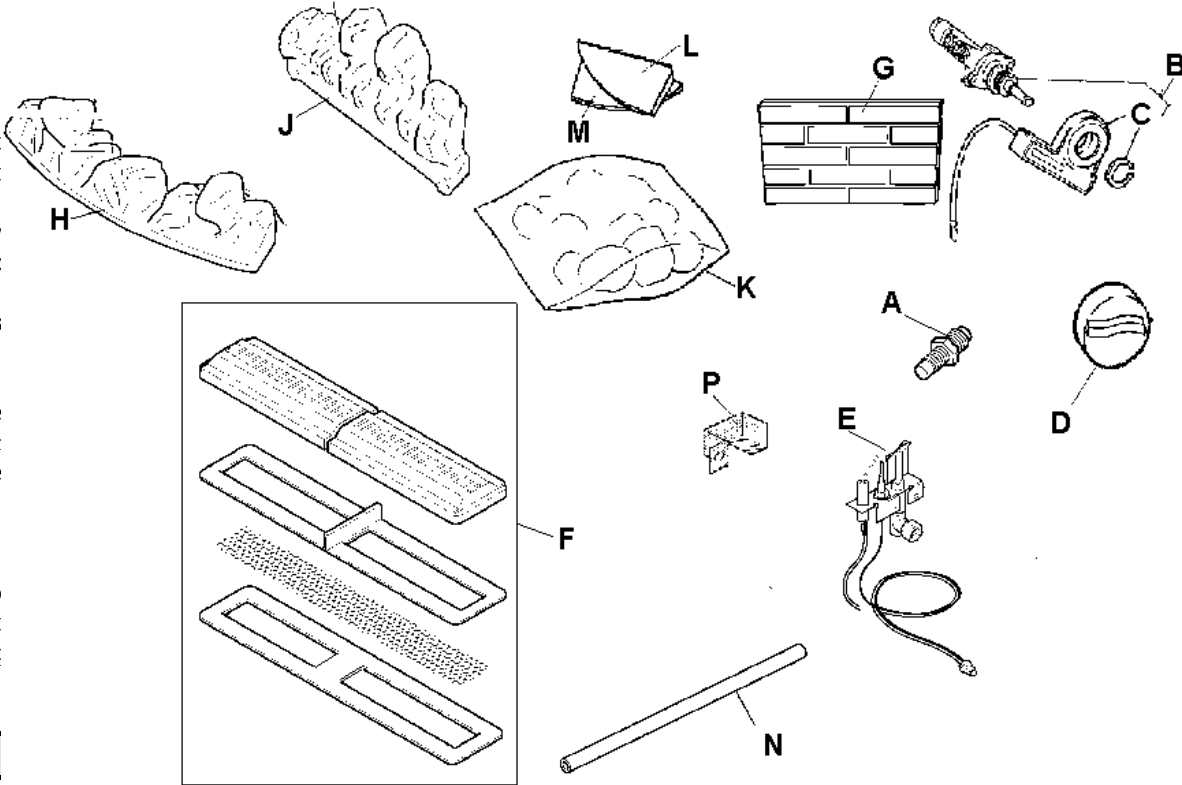
12.6 TO REMOVE THE PIEZO GENERATOR

- 12.6.1 Remove the gas tap as section 12.5.
- 12.6.2 Make sure that the tap is in the off position.
- 12.6.3 Remove the circlip holding the piezo unit to the tap.

12.6.4

12.7

- 12.7.1 as sect
- positic
- 12.7.2 Remo
- and sp
- 12.7.3 is pos
- 12.7.4
- 12.7.5 grease
- sure tl
- grease
- 12.7.6 slot in
- 12.7.7 compl
- comp
- the tap
- 12.7.8



12.8 TO REMOVE THE MAIN BURNER INJECTOR

- 12.8.1 Remove the burner unit - See section 12.3.
- 12.8.2 Disconnect the main burner pipe from the

KEY	DESCRIPTION	NO. OFF	PART NO.
A	Injector Bray cat 18 size 360 <i>For Natural Gas Appliances</i>	1	541609
	Injector Bray cat 18 size 170 <i>For Propane Appliances</i>		571709
B	Gas tap & spark generator	1	569429
C	Spark generator	1	521069
D	Control knob	1	545979
E	Pilot unit <i>For Natural Gas Appliances</i>	1	540979
	Pilot unit <i>For Propane Appliances</i>		544929
F	Burner plaque & gasket set	1	569439
G	Ceramic rear wall	1	545999
H	Front coal halves	1	569449
J	Rear base coal	1	569459
K	Pack of loose coals	1	569469
L	Ceramic side wall - right side	1	546039
M	Ceramic side wall - left side	1	546049
N	Smoke match tube	1	541169
P	Dust cage	1	567619
-	Installation template (Not illustrated)	1	546059

Safety First.

Valor fires are CE Approved and designed to meet the appropriate British Standards and Safety Marks.



Quality and Excellence.

At the heart of every Valor fire.

All Valor fires are manufactured to the highest standards of quality and excellence and are manufactured under a BS EN ISO 9001 quality system accepted by the British Standards Institute.



The Highest Standards

Valor is a member of the Society of British Gas Industries which works to ensure high standards of safety, quality and performance.



Careful Installation

Valor is a Corgi registered company. All our gas fires must be installed by a competent Corgi Registered Installer in accordance with our Installer Guide and should not be fitted directly on to a carpet or floor of combustible material.

Valor Heating, Erdington, Birmingham B24 9QP

Because our policy is one of constant development and improvement, details may vary slightly from those given in this publication

© Valor Heating