

NEW

CI/Sb			
	56		

THE
STELRAD
COMPACT
RANGE



More Choice, Superb Quality, Extra Performance. The Most Comprehensive Range Of Compact Radiators.

EXTRA PERFORMANCE TO GUARANTEED STANDARDS

The new Stelrad Compact range comes complete with all the features expected from a market leader and more. Combining the most sophisticated production resources in Europe, with substantial investment directed towards testing and verification of performance data, has resulted in the creation of a high output Compact radiator for heating performance that exceeds expectation.

Strictly controlled independent laboratory testing ensures that all Stelrad Compact radiators are guaranteed to perform to a maximum working pressure of 116 psi (8 bar) and conform to BS EN 442 - the European Standard for radiators.

As a measure of the all round dependable quality and performance, the Stelrad Compact comes complete with a 10 year Manufacturer's Warranty.

MORE CHOICE FOR APPLICATION FLEXIBILITY

A range of 233 models provides extra sizing flexibility and covers a multitude of application requirements.

Included in the range is the Stelrad Compact Towel Rail, perfect for use in bathrooms and cloakrooms and like the standard Compact radiator can be fitted to floor standing brackets where situations such as tiled walls present installation difficulties.

For applications where wall space is at a premium, the Compact Vertex radiator is the answer. With height rather than width to provide the equivalent, outstanding heating performance as the standard model, this stylish radiator provides an innovative option.

Ten heights, ranging from 300mm to 2204mm, and lengths from as little as 400mm up to 3000mm, the Stelrad Compact range can provide a size and style to fit the most challenging of application requirements.

SUPERB QUALITY FROM DESIGN TO INSTALLATION

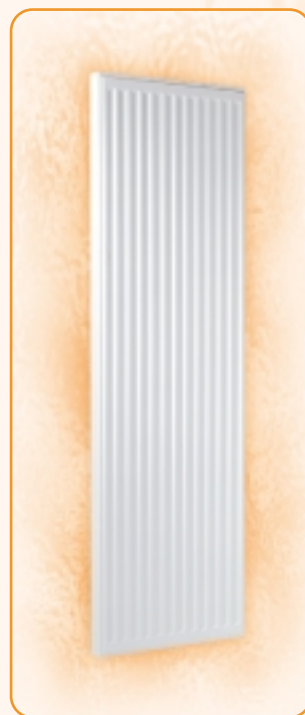
The elegant, integrated top grille and side panels, have been specifically designed to eradicate any movement, providing a tight, professional fit, that will remain in place, even after storage, transit and installation.

As you would expect from a radiator with the Stelrad pedigree, the convectors are precision welded directly onto the waterways for greater efficiency and economy, with flexible connection options for the highest of

commercial and domestic application specifications.

The Stelrad Compact range is manufactured under ISO 9000 in the UK and every radiator comes wrapped in robust, practical packaging that will keep the product pristine, right through to hand over! Protective through storage and transit, the new packaging design also allows installation prior to removal.

With availability nationwide, the Stelrad Compact range is the perfect solution for all Compact radiator applications.



THE ELEGANT TOP GRILLE AND SIDE PANELS HAVE BEEN SPECIFICALLY DESIGNED TO ERADICATE MOVEMENT, PROVIDING A TIGHT, PROFESSIONAL, QUALITY FIT.



ROBUST PACKAGING PROTECTS THE PRODUCT RIGHT THROUGH TO HAND OVER. INSTALLATION INSTRUCTIONS CAN BE FOUND ON THE REVERSE OF THE IDENTIFICATION LABEL.



FOR EASY CALCULATIONS AND GREATER ACCURACY OF SIZING THE STELRAD STARS HEAT LOSS AND DESIGN PROGRAMS ARE AVAILABLE. CALL 0800 318 680 FOR FURTHER INFORMATION.

Stelrad Compact Technical Data & Dimensions

Note: Products over 2m long and the majority of P1s are produced to order.

HEIGHT
300

450

600

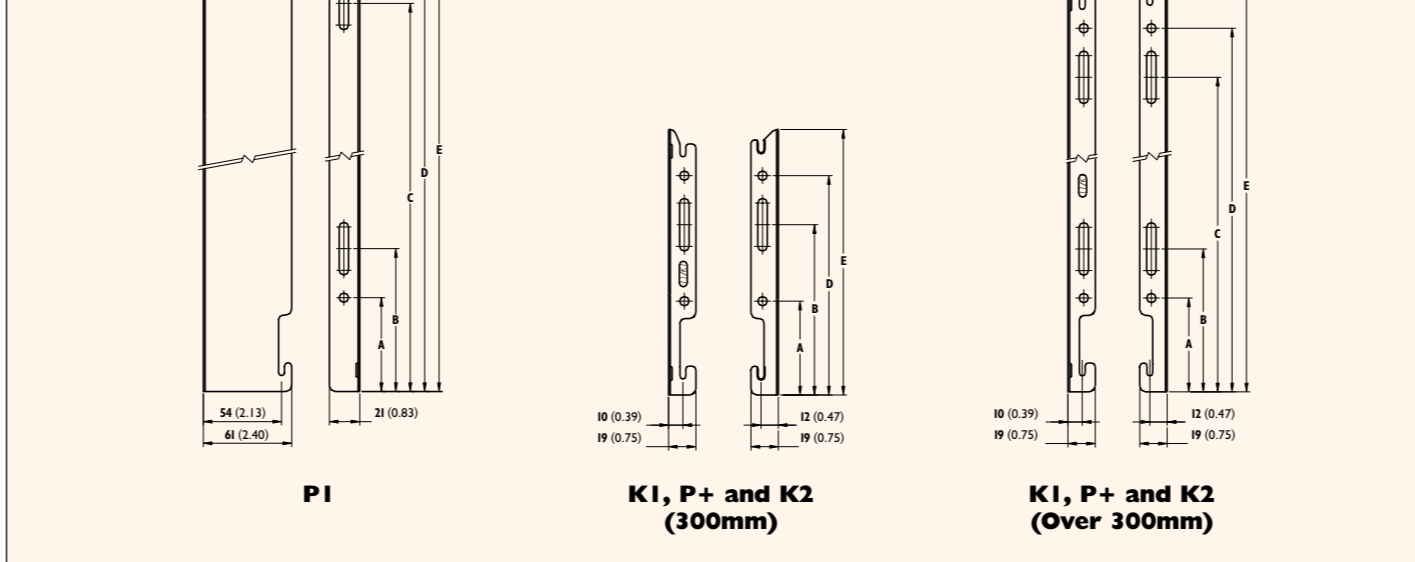
700

Outputs at Operating Temperature 90/70/20°C

HEIGHT	LENGTH (Approx)	SECTION	KI		P+		K2		P1	
			Watts	Btu/hr	Watts	Btu/hr	Watts	Btu/hr	Watts	Btu/hr
300	500	15	324	1105	475	1620	625	2134	-	-
300	1000	30	648	2210	949	3239	1251	4267	-	-
300	1500	45	972	3315	1424	4859	1876	6401	-	-
300	2000	60	1296	4420	1899	6479	2501	8534	-	-
300	2500	75	1619	5525	2373	8098	3127	10668	-	-
300	3000	90	1943	6630	2848	9718	3752	12802	-	-
450	400	12	384	1309	538	1836	699	2385	242	825
450	500	15	480	1637	673	2295	874	2981	302	1031
450	600	18	576	1964	807	2754	1048	3577	362	1237
450	700	21	672	2291	942	3214	1223	4173	423	1443
450	800	24	768	2619	1076	3673	1398	4770	483	1649
450	900	27	863	2946	1211	4132	1573	5366	544	1855
450	1000	30	959	3273	1345	4591	1747	5962	604	2061
450	1100	33	1055	3601	1480	5050	1922	6558	-	-
450	1200	36	1151	3928	1615	5509	2097	7154	725	2474
450	1400	42	1343	4583	1884	6427	2446	8347	846	2886
450	1600	48	1535	5238	2153	7345	2796	9539	967	3298
450	1800	54	1727	5892	2422	8263	3145	10732	-	-
450	2000	60	1919	6547	2691	9181	3495	11924	1208	4123
450	2200	66	2111	7202	2960	10100	3844	13117	-	-
450	2400	72	2303	7856	3229	11018	4194	14309	1450	4947
450	2600	78	2494	8511	3498	11936	4543	15501	-	-
450	2800	84	2686	9166	3767	12854	4893	16694	-	-
450	3000	90	2878	9820	4036	13772	5242	17886	-	-
600	400	12	496	1693	687	2343	884	3015	315	1076
600	500	15	620	2116	858	2929	1105	3769	394	1348
600	600	18	744	2539	1030	3514	1325	4523	473	1614
600	700	21	868	2962	1202	4100	1546	5276	552	1882
600	800	24	992	3385	1373	4686	1767	6030	631	2151
600	900	27	1116	3809	1545	5271	1988	6784	709	2420
600	1000	30	1240	4232	1717	5857	2209	7538	788	2689
600	1100	33	1364	4655	1888	6443	2430	8291	-	-
600	1200	36	1488	5078	2060	7029	2651	9045	946	3227
600	1400	42	1736	5925	2403	8200	3093	10553	1103	3765
600	1600	48	1984	6771	2747	9371	3535	12060	1261	4303
600	1800	54	2233	7617	3090	10543	3976	13568	-	-
600	2000	60	2481	8464	3433	11714	4418	15075	1576	5378
600	2200	66	2729	9310	3777	12886	4860	16583	-	-
600	2400	72	2977	10156	4120	14057	5302	18090	1892	6454
600	2600	78	3225	11003	4463	15228	5744	19598	-	-
600	2800	84	3473	11849	4807	16400	6186	21105	-	-
600	3000	90	3721	12696	5150	17571	6627	22613	-	-
700	400	12	565	1929	781	2665	1001	3416	364	1243
700	500	15	707	2414	976	3331	1252	4270	455	1553
700	600	18	848	2894	1172	3998	1502	5124	546	1864
700	700	21	990	3376	1367	4664	1752	5978	637	2175
700	800	24	1131	3859	1562	5330	2002	6832	728	2485
700	900	27	1272	4341	1757	5996	2253	7686	819	2796
700	1000	30	1414	4823	1953	6663	2503	8540	911	3107
700	1100	33	1555	5306	2148	7329	2753	9394	-	-
700	1200	36	1696	5788	2343	7995	3004	10248	1093	3728
700	1400	42	1979	6753	2734	9328	3504	11956	1275	4349
700	1600	48	2262	7717	3124	10660	4005	13664	1457	4971
700	1800	54	2545	8682	3515	11993	4505	15372	-	-
700	2000	60	2827	9647	3905	13325	5006	17081	1821	6214
700	2200	66	3110	10612	4296	14658	5507	18789	-	-
700	2400	72	3393	11576	4687	15991	6007	20497	2185	7456
700	2600	78	3676	12541	5077	17323	6508	22205	-	-
700	2800	84	3958	13506	5468	18656	7008	23913	-	-
700	3000	90	4241	14470	5858	19988	7509	25621	-	-

Mounting Brackets

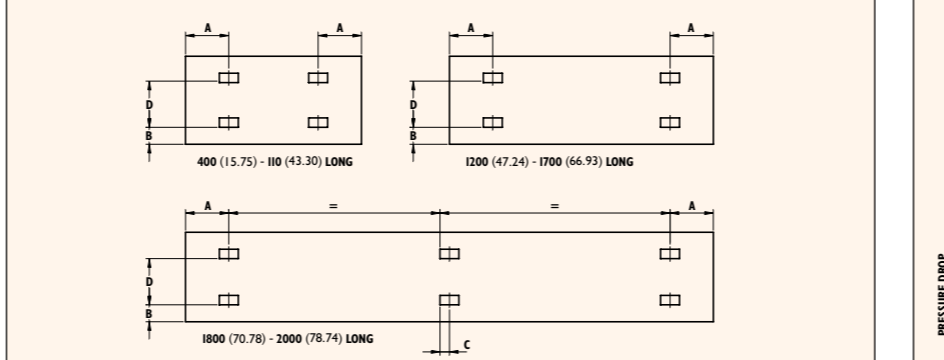
All dimensions in mm. Inches in brackets.



	DIMENSIONS mm (in)			
	700 (27.56)	600 (23.62)	450 (17.72)	300 (11.81)
A	65 (2.56)	65 (2.56)	65 (2.56)	65 (2.56)
B	99 (3.90)	99 (3.90)	99 (3.90)	99 (3.90)
C	519 (20.43)	419 (16.50)	269 (10.59)	-
D	553 (21.77)	453 (17.83)	303 (11.93)	153 (6.02)
E	585 (23.03)	485 (19.09)	335 (13.19)	185 (7.28)

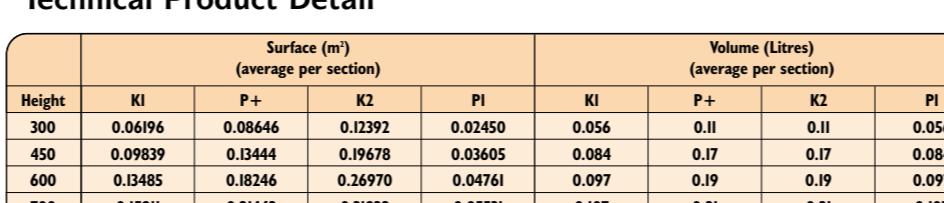
K1, P+, K2 and P1 Lug Positions

All dimensions in mm. Inches in brackets.



P1, P+ & K2 mm (in)		K1 mm (in)	
A	133 (5.24)	A	400mm (15.75)
B	85 (3.35)	A	500 - 3000mm (19.69 - 118.11)
		B	400 - 3000mm (15.75 - 118.11)
		C	1800 - 3000mm (70.87 - 118.11)

Pressure Drops



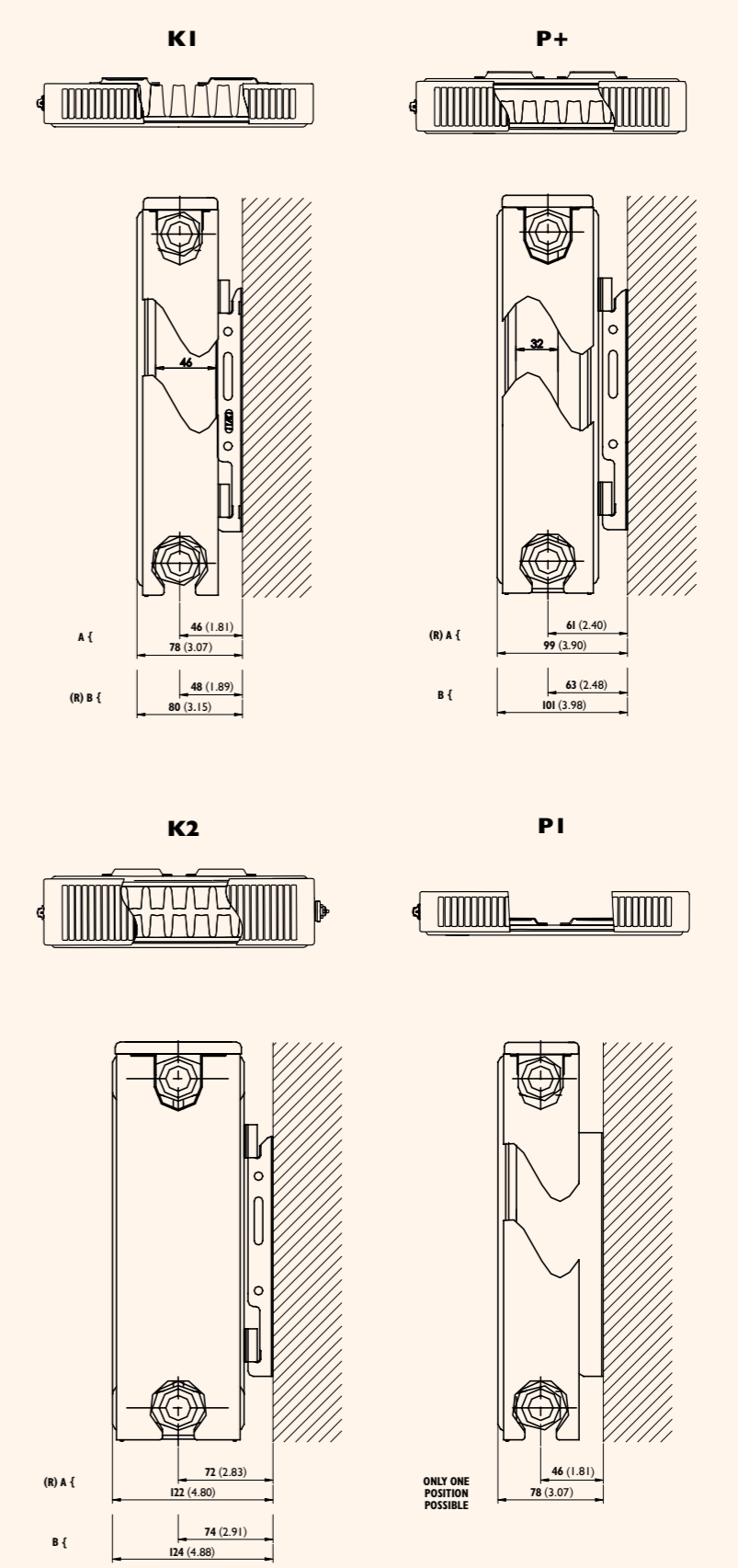
EN 442 Certification Data - HLK tested in accordance with BS EN 442

Type	KI				P+				K2				P1			
	300	450	600	700	300	450	600	700	300	450	600	700	300	450	600	700
Height	300	450	600	700	300	450	600	700	300	450	600	700	300	450	600	700
W/m at 75/65/20	509	756	980	1117	745	1055	1345	1530	982	1371	1732	1961	326	474	619	715
n-coefficients	1.32	1.31	1.29	1.29	1.33	1.33	1.34	1.34	1.33	1.33	1.33	1.34	1.28	1.33	1.33	1.33
Heated Surface Area (m²)	2.09	3.37	4.66	5.51	2.44	3.84	5.24	6.18	3.51	5.62	7.74	9.15	0.68	1.03	1.37	1.60
Weight (kg/m)	9.31	14.51	19.70	22.90	14.29	22.04	29.80	34.50	16.80	25.90	35.00	40.53	6.64	9.82	13.00	15.12
Water Contents (l/m)	1.89	2.57	3.25	3.77	3.70	5.15	6.60	7.63	3.70	5.15	6.60	7.63	1.89	2.57	3.25	3.77

Height	Surface (m²) (average per section)				Volume (Litres) (average per section)				Dry Weight (kg) (average per section)			
	KI	P+	K2	P1	KI	P+	K2	P1	KI	P+	K2	P1
300	0.06196	0.08646	0.12392	0.02450	0.056	0.11	0.11	0.056	0.28	0.50	0.56	-
450	0.09839	0.13444	0.19678	0.03605	0.084	0.17	0.17	0.084	0.43	0.76	0.86	0.33
600	0.13485	0.18246	0.26970	0.04761	0.097	0.19	0.19	0.097	0.58	1.02	1.16	0.44
700	0.15911	0.21442	0.31822	0.05531	0.107	0.21	0.21	0.107	0.68	1.19	1.36	0.51

Wall Mounting Information

All dimensions in mm. Inches in brackets.



Bracket Position

A = Closest to Wall B = Furthest from Wall (R) = Recommended Mounting Position



ALL FIXING REQUIREMENTS ARE COMPLETE WITHIN THE PACKAGING.



FLOOR STANDING BRACKETS PROVIDE A PRACTICAL SOLUTION FOR STANDARD AND TOWEL RAIL MODELS, WHERE SITUATIONS, SUCH AS TILED WALLS, CREATE INSTALLATION DIFFICULTIES.



OPTIONAL EXTENSION PIECES FOR EASY REPLACEMENT.



OPTIONAL 3/4 INCH VALVE ADAPTOR FOR CONNECTION WITHOUT PERFORMANCE REDUCTION.



TEMPERATURE TABLE

To apply the factors shown in the table below to our quoted outputs, multiply the quoted output by the chosen

operating factor to give new output.

To apply the factor to required output, divide required output by factor to give correct radiator from the Stelrad Compact range.

TEMPERATURES			
Factors for differences between mean water temperature and room temperature in °C and °F other than 60°C (120°F)			
°C		°F	
5°C	0.046	10°F	0.055
10°C	0.108	20°F	0.122
15°C	0.179	30°F	0.207
20°C	0.256	40°F	0.293
25°C	0.338	50°F	0.384
30°C	0.423	60°F	0.477
35°C	0.512	70°F	0.590
40°C	0.605	80°F	0.690
45°C	0.700	90°F	0.800
50°C	0.798	100°F	0.910
55°C	0.898	110°F	1.026
60°C	1.000	120°F	1.141
65°C	1.104	130°F	1.255
70°C	1.211	140°F	1.377
75°C	1.319		

TESTING AND OPERATING PRESSURES

All models are high pressure tested to withstand 152.3 psi (10.5 bar), to perform at a maximum working pressure of 116 psi (8 bar) at a maximum temperature of 95°C.

CONNECTIONS

Each Stelrad Compact radiator has 4 x 1/2 inch connections as standard. There is also a 3/4 inch valve adaptor available, which provides a 3/4 inch connector option to the valve without reducing performance.

APPLICATIONS

Stelrad Compact radiators are suitable for two pipe installations. For single pipe applications, it is advisable to use diversion tees in the pipework, as this will assist in obtaining design performance from the radiators.

Although the Stelrad Compact is suitable for Microbore pipework, the back tappings make it unsuitable for twin entry valves.

For further information and advice call Technical Support on: 01482 498 663.

INSTALLATION

Everything required for installation can be found within the robust packaging.

Brackets are of a strong design, with open top and deep slots, which facilitate easy and secure installation. Plastic inserts seat the radiator precisely on the bracket minimizing expansion and contraction noise.

The neat nickel-plated plug and vent provide a watertight joint, whilst complementing the superior finish.

To facilitate easy one off replacement, nickel-plated brass extension pieces are also available for the Stelrad Compact Towel Rail and Compact Standard radiators, complete with sealing washer, in 20mm, 30mm and 40mm options.

Recommended height from the floor to the base of the radiator is 150 mm minimum. This allows adequate airflow when the radiator is placed on the bracket.

CAUTION

When designing for domestic systems we recommend that the Stelrad Compact be used only in heating systems complying with British Standard Code of Practice for Central Heating for Domestic Premises BS 5449 Part 1.

Single feed, indirect cylinders are not recommended, as should interchange of water occur, fresh aerated water would enter the heating system, resulting in corrosion.

WATER TREATMENT

On completion of the installation the system should be properly flushed and filled in accordance with the British Standard Code of Practice for the Treatment of Water in Domestic Hot Water Central Heating Systems BS 7593.

This will remove flux residues and installation debris, which might promote corrosion and damage within the system.

If it is decided to apply a corrosion inhibitor to maximize the working life of the system, it should be applied in accordance with the manufacturers instructions and should be suitable for the particular metals within the system.

Further details of readily available cleansers and inhibitors can be obtained from: Sentinel Division, BetzDearborn Limited, Foundry Lane, Widnes, WA8 8UD. Telephone: 0151 420 9595, and Alpha Fry Technologies, Tandem House, Marlowe Way, Beddington Farm Road, Croydon, CR0 4XS. Telephone: 01799 550811.

TWO COAT PAINT PROCESS

Each Stelrad Compact radiator is subjected to a multi stage cleaning process before the paint is applied. This involves several rinsing stages, including an iron phosphate and demineralization rinse.

The first coat of paint is applied by electrophoresis and the radiator is then stoved and cooled. The second powder coat, in warm white (RAL 9010) is applied and the radiator goes through a final curing stage. It is then allowed to cool prior to packaging.

Stelrad Compact Towel Rail Technical Data & Dimensions

WARMTH THAT WORKS HARDER

This simple design is the ultimate in neat, efficient functionality for towel warming and space heating. The superbly integrated unit allows towels and clothes to warm without interfering with the vital flow of convected room heat.

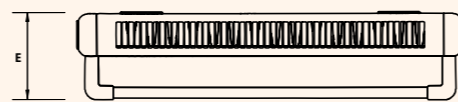
CARING FOR YOUR STELRAD COMPACT TOWEL RAIL

Every product is quality checked to the highest standards. Care should be taken not to site the product where it could be struck by an opening door. The rail itself should not be loaded with more than 40Kg weight and the plastic components are not suitable for painting. Cleaning is simple using a soft cloth with non-abrasive, non-corrosive agents.



Wall Mounting Information

All dimensions in mm. Inches in brackets



	STR2	STR3	STR4	STR6	STR8
A	425 (16.73)	625 (24.60)	425 (16.73)	625 (24.60)	825 (32.48)
B	167 (6.57)	300 (11.81)	167 (6.57)	300 (11.81)	500 (19.68)
C	60 (2.36)	60 (2.36)	60 (2.36)	60 (2.36)	60 (2.36)
D	555 (21.85)	555 (21.85)	555 (21.85)	555 (21.85)	555 (21.85)
E	140 (5.51)	140 (5.51)	140 (5.51)	140 (5.51)	140 (5.51)

EN 442 Certification Data – BSI tested in accordance with BS EN 442

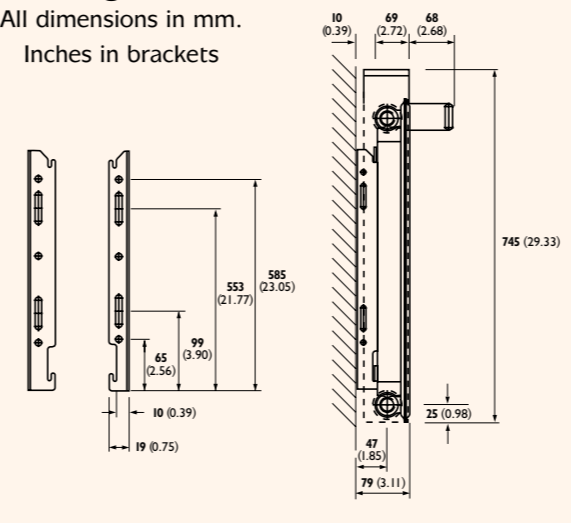
Type	STR2	STR3	STR4	STR6	STR8
Height & Length	645 x 425	645 x 625	745 x 425	745 x 625	745 x 825
W/m at 75/65/20	419	611	475	693	922
n-coefficients	1.2748	1.2748	1.2785	1.2785	1.2785
Heated Surface Area (m2)	1.86	2.79	2.21	3.31	4.41
Weight (kg/m)	8.72	13.08	9.95	14.92	19.89
Water Contents (l/m)	1.32	1.98	1.56	2.34	3.12

Outputs at Operating Temperature 90/70/20°C

MODEL	HEIGHT		LENGTH		SECTION	HEAT OUTPUTS	
	mm	ins	mm	ins		Watts	Btu/hr
STR2	645	25.41	425	16.73	I2	529	1805
STR3	645	25.41	625	24.60	I8	771	2631
STR4	745	29.33	425	16.73	I2	600	2047
STR6	745	29.33	625	24.60	I8	875	2986
STR8	745	29.33	825	32.48	24	1164	3972

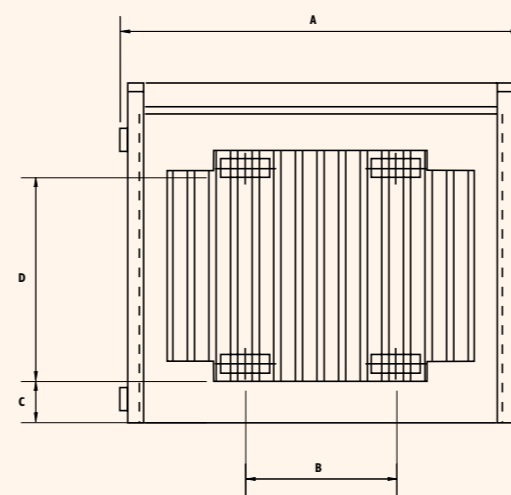
Mounting Brackets

All dimensions in mm. Inches in brackets



Technical Product Detail

MODEL	SURFACE		VOLUME		DRY WEIGHT		PRESSURE DROPS	
	m2	Litres	Kg	in Wg	Kpa			
STR2	1.86	1.32	8.72	0.55	0.13			
STR3	2.79	1.98	13.08	0.55	0.14			
STR4	2.21	1.56	9.95	0.41	0.10			
STR6	3.31	2.34	14.92	0.53	0.13			
STR8	4.41	3.12	19.89	0.70	0.18			



Stelrad Compact Vertex Technical Data & Dimensions

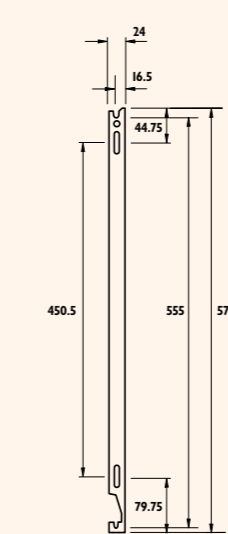
WARMTH WITH STYLE

This stylish, attractive model is the simple answer for applications where wall space is at a premium. Installation is as simple as the standard models, with piping flexibility and the option of a 3/4 inch valve adaptor without reducing performance.



Mounting Brackets

All dimensions in mm.



Outputs at Operating Temperature 90/70/20°C

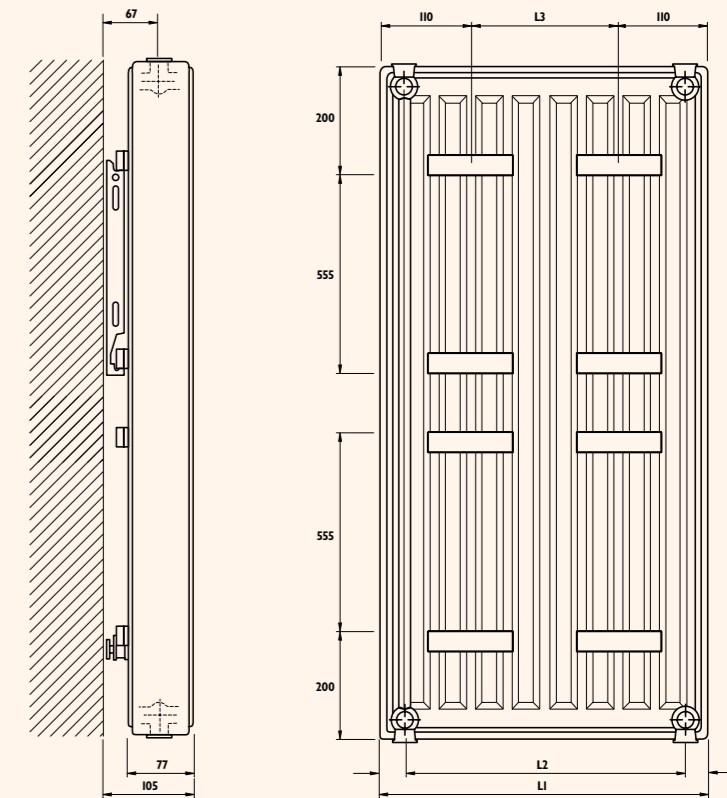
HEIGHT	LENGTH		SECTION	HEAT OUTPUTS	
	mm	ins		Watts	Btu/hr
1604	445	16.73	I0	1411	4814
	580	22.83	I3	1834	6258
	715	28.15	I6	2257	7702
1804	445	16.73	I0	1553	5300
	580	22.83	I3	2019	6890
	715	28.15	I6	2485	8479
2004	445	16.73	I0	1696	5787
	580	22.83	I3	2205	7523
	715	28.15	I6	2714	9259
2204	445	16.73	I0	1839	6276
	580	22.83	I3	2391	8159
	715	28.15	I6	2943	10041

Technical Product Detail

Length	Surface (m²) (average per section)			Volume (Litres) (average per section)			Dry Weight (kg) (average per section)					
	1604	1804	2004	1604	1804	2004	1604	1804	2004			
445	3.210	3.611	4.011	4.412	6.75	7.59	8.43	9.27	32.78	36.87	40.95	45.05
580	4.169	4.69	5.21	5.730	8.77	9.86	10.96	12.05	42.61	47.93	53.24	58.55
715	5.129	5.768	6.408	7.048	10.79	12.14	13.49	14.83	52.45	58.99	65.53	72.07

Wall Mounting Information

All dimensions in mm.



	P2		
L1	445	580	715
L2	389	524	659
L3	225	360	495

EN 442 Certification Data – HLK tested in accordance with BS EN 442

Type	P2			
Height	1604	1804	2004	2204
W/m at 75/65/20	111	122	133	144
n-coefficients	1.31547	1.32452	1.33358	1.34257
Weight (kg/m)	73.66	82.85	92.03	101.22
Water Contents (l/m)	15.16	17.05	18.94	20.83